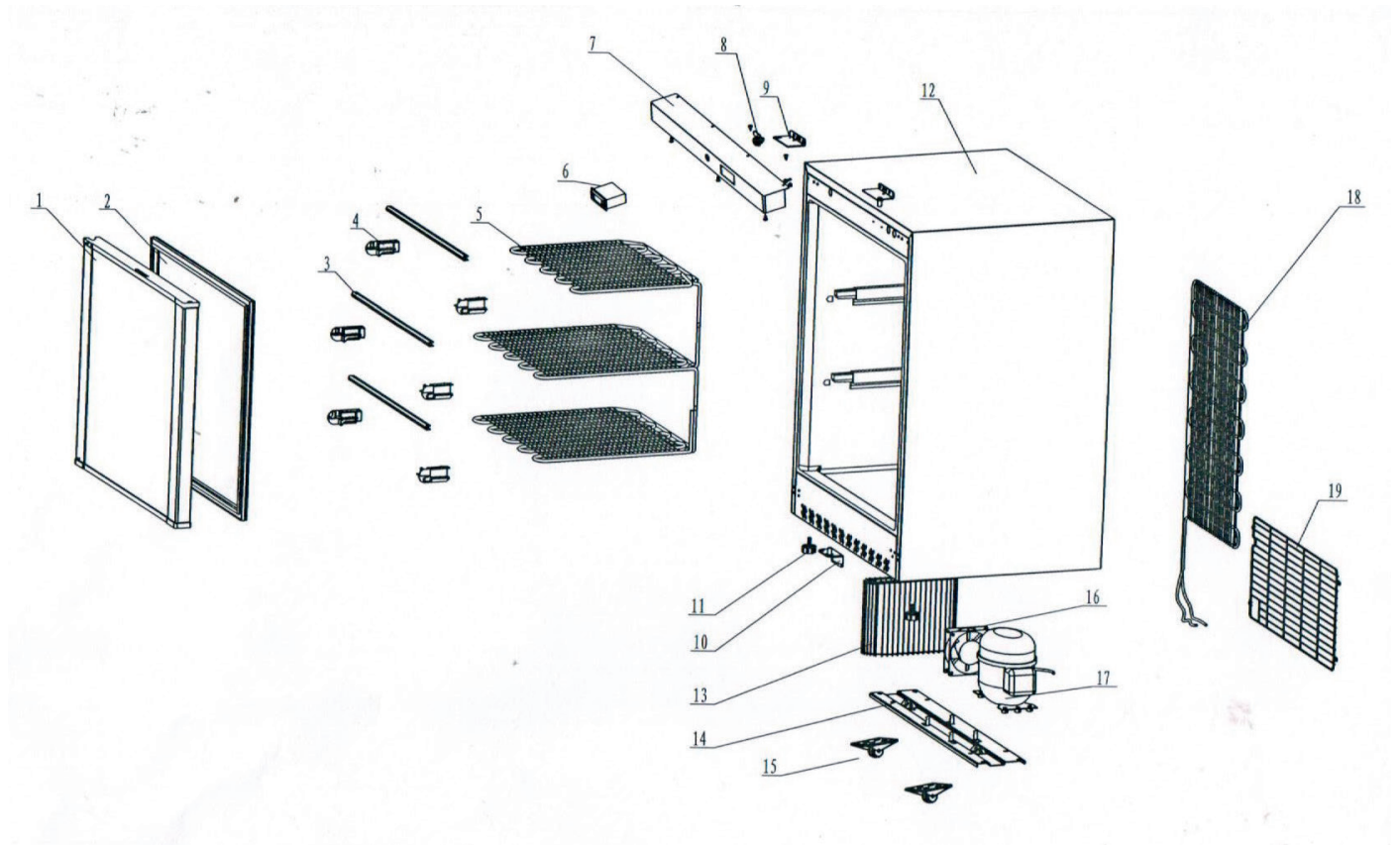


DF 200
2020_01



DF 200
2020_01

Pozice	Název	Kód
1	foaming door	DR200.01.201
2	door gasket	DR200.02
3	evaporator fixing trip	DF200.01
4	evaporator fixing end	DF200.02
5	evaporator	DF200.03
6	controller	GN1100TN.29. DF200
7	front panel	DR200.07
8	lock	GN1100TN.27
9	top hinge	DR200.08
10	bottom hinge	DR200.09
11	feet	S900 STD.38
12	foaming body	DF200.04.201
13	Coil type condenser	DR200.17
14	BOARD OF CONDENSER UNIT	DR200.10
15	small caster	
16	CONDENSER FAN	DR200.18
17	compressor NLL200A	ZANUSSI NLL200A
18	Wire tube condenser	DF200.05
19	MOTER UNIT BACK NET	DR200.13