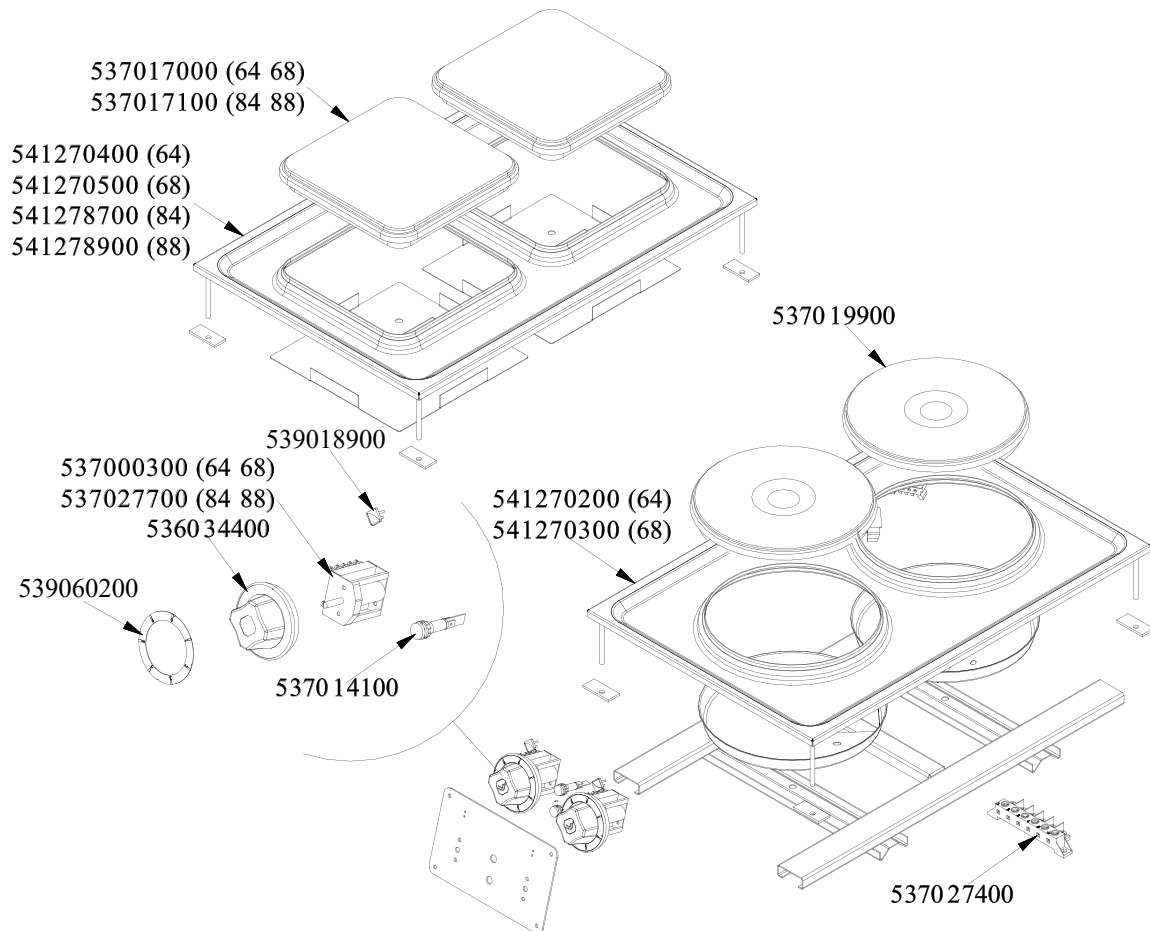


RM Drop In

Platný od 1.5. 2019

PCD-64ET, PCD-68ET, PCQD-64ET, PCQD-68ET, PCD-84ET, PCD-88ET, PCQD-84ET, PCQD-88ET



5600 8670 0M01P00



Objednací kód	Popis v ENG
537019900	PLATE D.220 W2600 V230
539018900	INDEX FOR KNOB RED SIGN
537000300	COMMUTATOR 7 POSITIONS S.49 16A
537027700	COMMUTATOR 7 POSITIONS S.43 32A
536034400	KNOB §77 4P. §06*4,6 C/M
541270300	UPPER PLATE DROP IN PCD-68ET
539060200	RED ADESIVE DISK FOR PC-E
537014100	WHITE WARNING LIGHT 250V
537027400	TERMINAL BLOCK THREEPHASE 40A

**PCD-64ET, PCD-68ET, PCQD-64ET, PCQD-68ET**  
**Platný od 1.5.2016**  
**do 30.4.2019**

