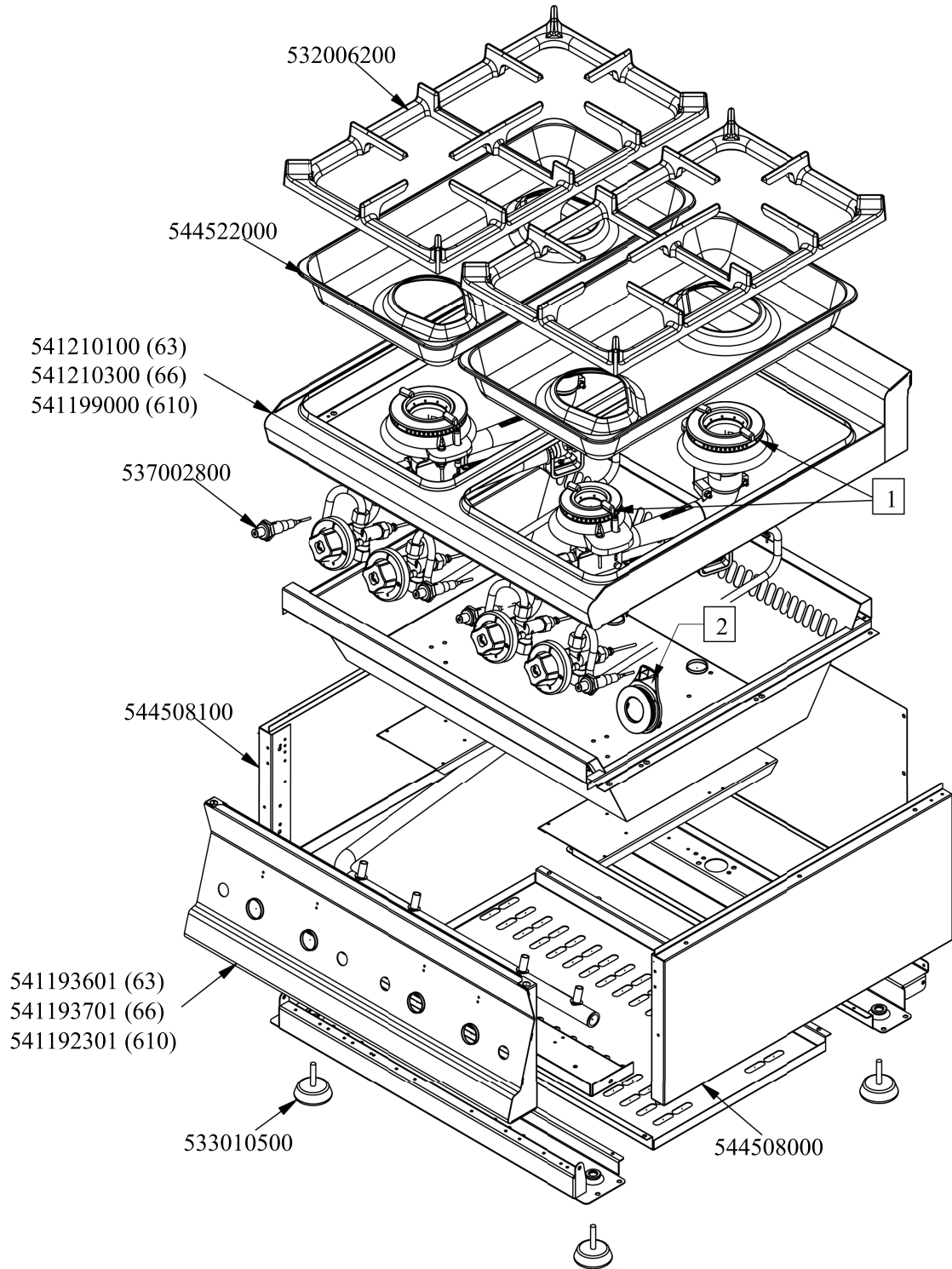


RM 600

Platný od 1.5. 2019

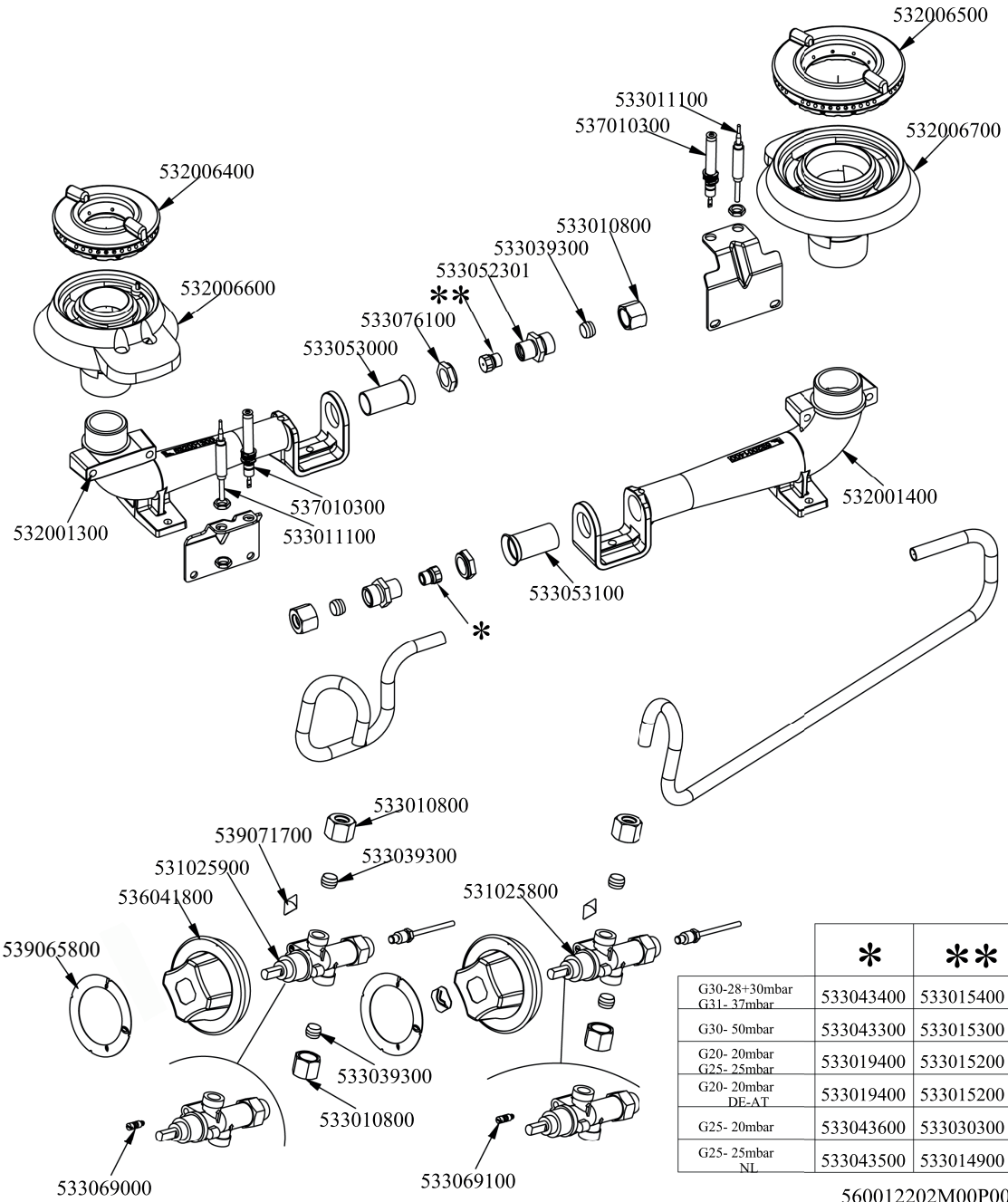
PCT-63G, PCT-66G



560078601M00P00



Objednací kód	Popis v ENG
537002800	PIEZOELECTRIC IGNITION M18 WITH NUT
544508100	LHD SIDE OF 60T APPLIANCES
544508000	RHD SIDE OF 60T APPLIANCES
533010500	LEG M10*25 D.40
541193601	
544522000	BURNER DRIP PAN OF PCT-60
532006200	2 BURNERS GRID 289X504 60T RAF
541210100	UPPER PLATE FOR PCT-6 3G
-	-
-	-

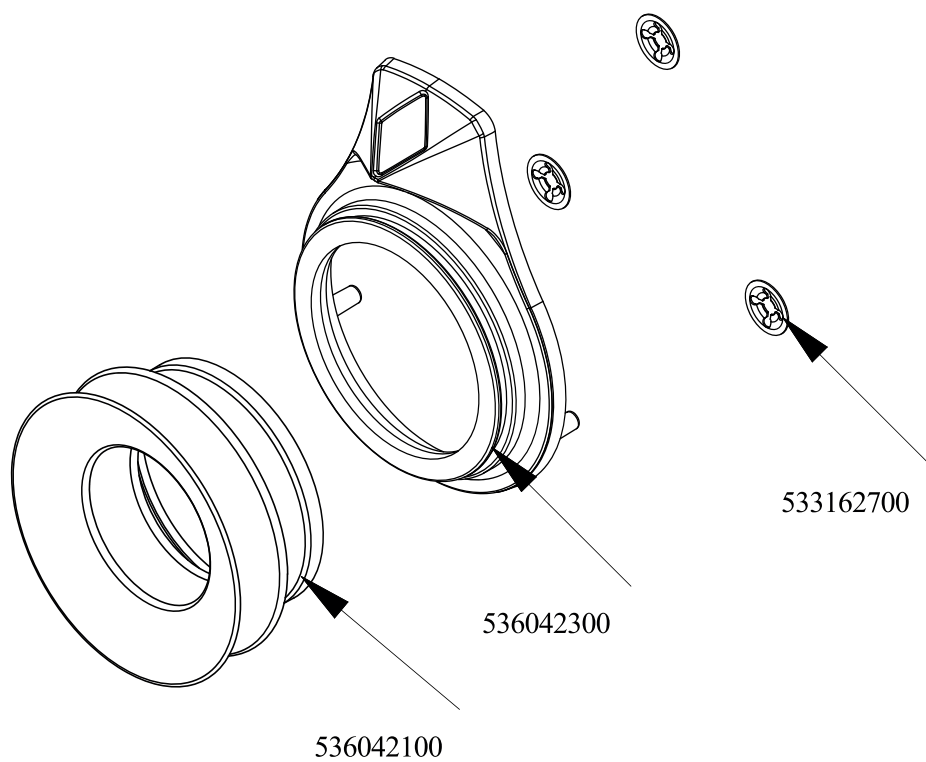


	*	**
G30-28+30mbar G31- 37mbar	533043400	533015400
G30- 50mbar	533043300	533015300
G20- 20mbar G25- 25mbar	533019400	533015200
G20- 20mbar DE-AT	533019400	533015200
G25- 20mbar	533043600	533030300
G25- 25mbar NL	533043500	533014900

560012202M00P00



Objednací kód	Popis v ENG
533043400	NOZZLE §117 CH12*14 G-PC4 UR
533043300	NOZZLE §103 CH12*14 F-PC4 UR
533019400	NOZZLE §180 CH12*14 L-FQ5
533043600	NOZZLE §200 CH12*14 L-PC4 UR
533043500	NOZZLE §190 CH12*14 G25 PC4R
533015400	NOZZLE §93 CH12*14 G-PC4 R
533015300	NOZZLE §82 CH12*14 F-PC4 R
533015200	NOZZLE §145 CH12*14 F-FP/CP6
533030300	NOZZLE §160 CH12*14 M-FPG
533014900	NOZZLE §150 CH12*14 F-FQ5 L-FQ6
532006600	BURNER BODY 3,5 KW WITH PLUG
532006400	QUICKBURNER 2 RING Ø082 3 Z
533053000	AIR ADJUSTMENT BUSHING §18
533076100	HEXAGONAL NUT M14X1 H4 + BUSHING
533010800	TUBE NUT D.10 M16*1,5
533053100	AIR ADJUSTMENT BUSHING §20
532006500	QUICKBURNER 2 RING Ø102 3 Z
532006700	BURNER BODY 5,5 KW WITH PLUG
537010300	IGNITION PLUG WITH SPRING PC65
533011100	THERMOCOUPLE 750 M8*1
532001300	BURNER VENTURI 3,5 KW
532001400	BURNER VENTURI 5,5 KW
533052301	JOINT FOR NOZZLE HOLDER
533039300	BICONE §10
531025800	SAFETY TAP 20S-B PEL20S2160
531025900	SAFETY TAP 20S-B PEL20S21070
539071700	ADHES.LABEL FOR RING GREEN SIGN.
539065800	BLACK STICKING DISK 72
533069100	BY PASS COCK §60 20S
533069000	BY PASS COCK §70 20S-21S
536041800	SILVER CHROM. KNOB Ø77 4P.G.Ø08X6,5

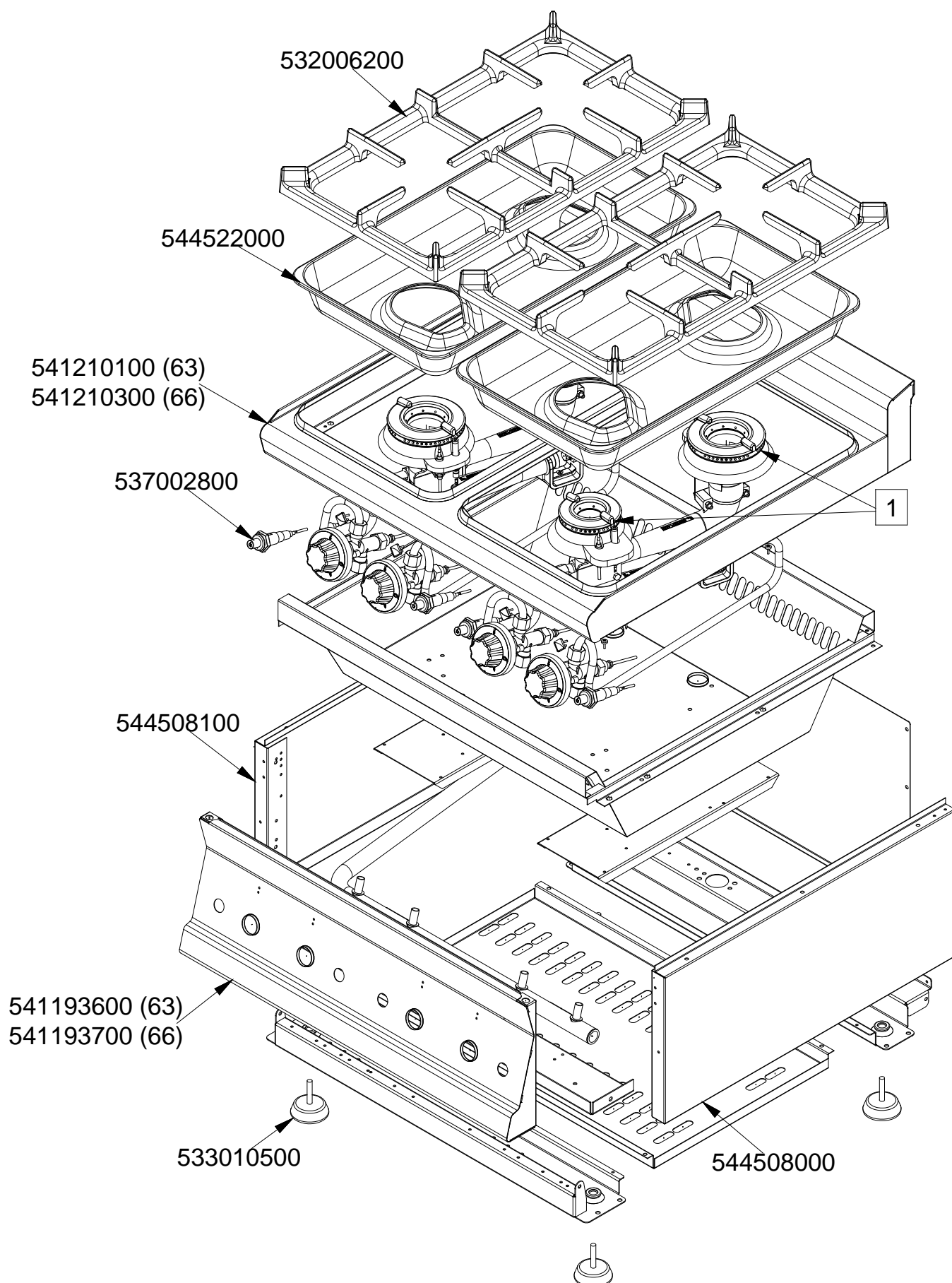


560125700M00P00



Objednací kód	Popis v ENG
536042300	SILVER CHROM. RING FOR KNOB Ø77 4 P
536042100	SEAL CASING FOR KNOB Ø77 4 P
533162700	PROCESSING CODE

PCT - 63 G, PCT - 66 G
Platný od 1.5.2016
do 30.4.2019



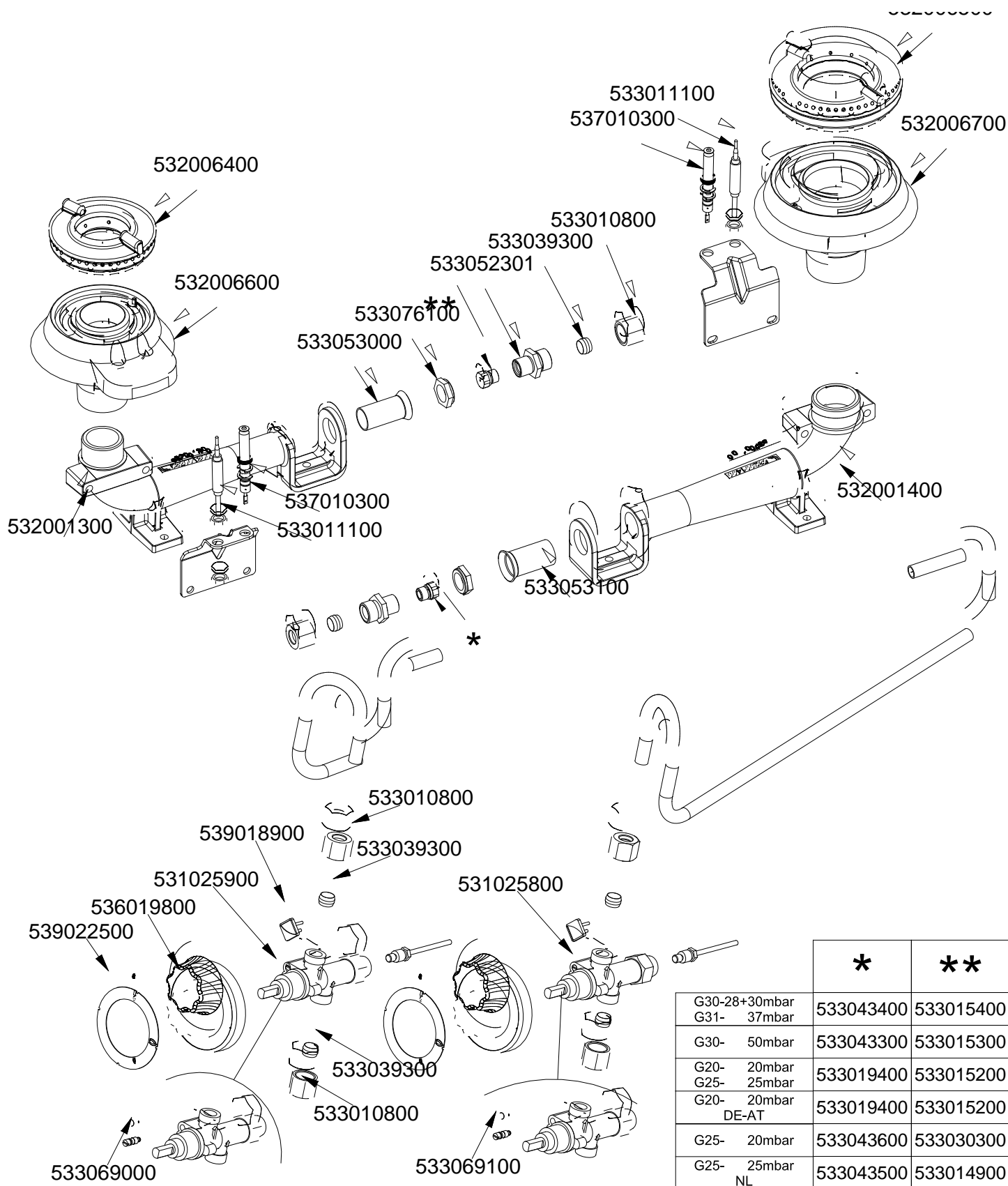


PCT - 63 G, PCT - 66 G

(1)

Platný od 1.5.2016

do 30.4.2019



	*	**
G30-28+30mbar G31- 37mbar	533043400	533015400
G30- 50mbar	533043300	533015300
G20- 20mbar G25- 25mbar	533019400	533015200
G20- 20mbar DE-AT	533019400	533015200
G25- 20mbar	533043600	533030300
G25- 25mbar NL	533043500	533014900