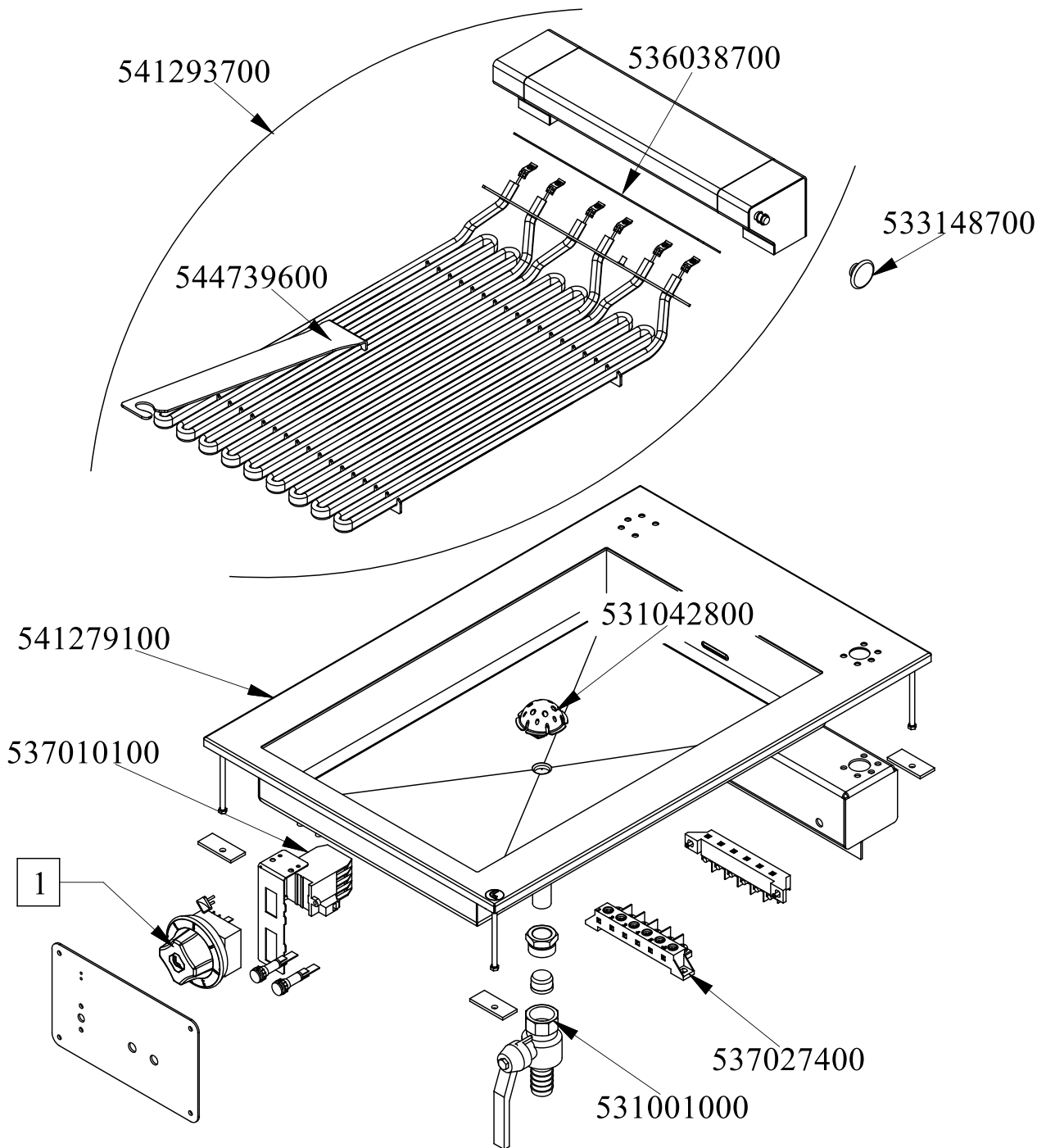


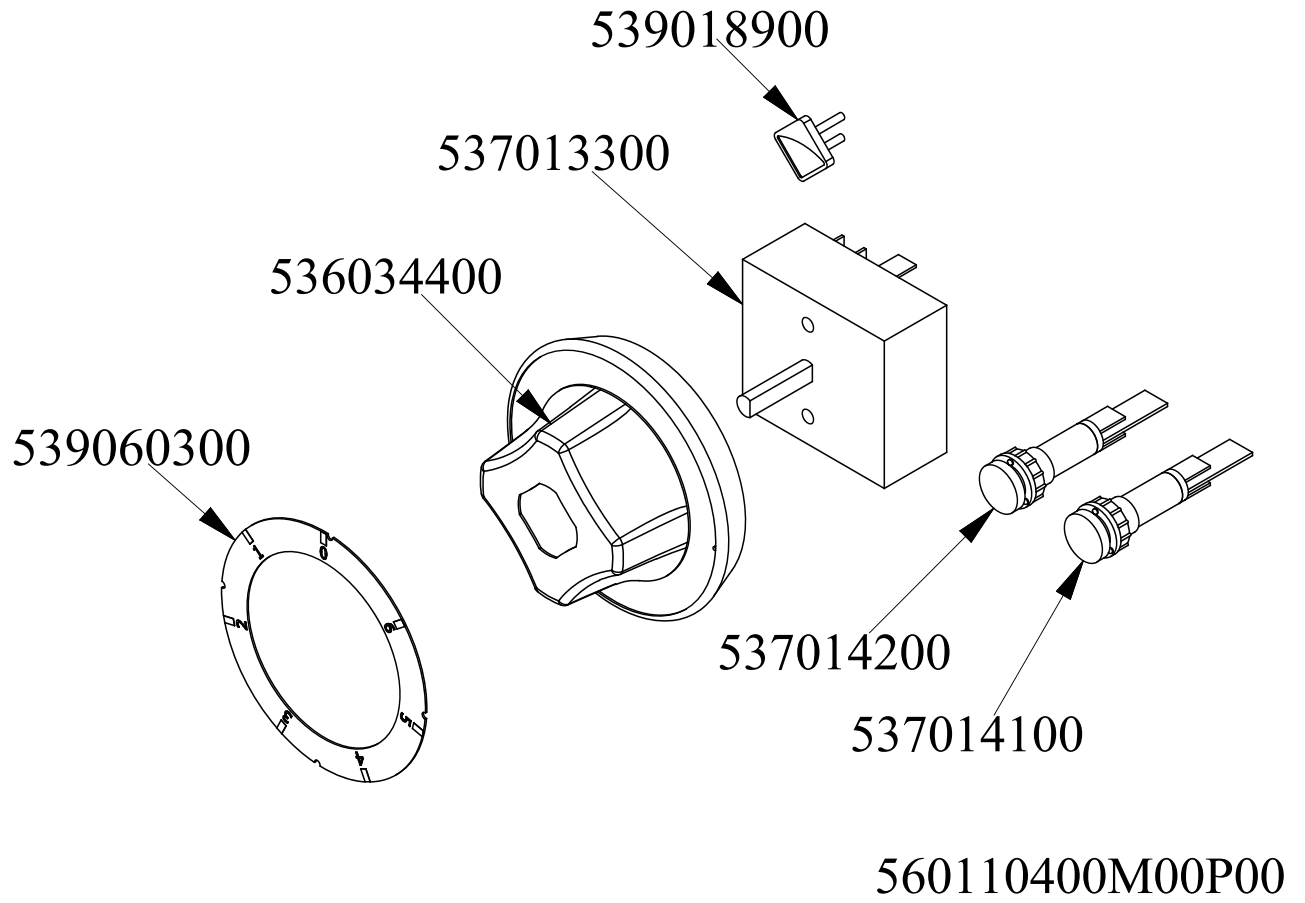
RM Drop In  
Platný od 1.5.2016  
CWKD-64ET



560110600M00P00



Objednací kód	Popis v ENG
537010100	REMOTE CONTROL SWITCH 20A 230V
541279100	
531001000	DRAIN COCK 3/4" + HANDLE
531042800	SEMISPHERE FILTER
537027400	TERMINAL BLOCK THREEPHASE 40A
533148700	
544739600	
541293700	COMPLETE HEAT.ELEMENT CWK74ET 4080W
536038700	
-	-





Objednáací kód	Popis v ENG
539060300	RED ADESIVE DISK FOR PCC/PCI-E
536034400	KNOB §77 4P. §06*4,6 C/M
537013300	CURRENT REGULATOR FOR ELEC. PLATE
539018900	INDEX FOR KNOB RED SIGN
537014200	GREEN WARNING LIGHT 250V
537014100	WHITE WARNING LIGHT 250V