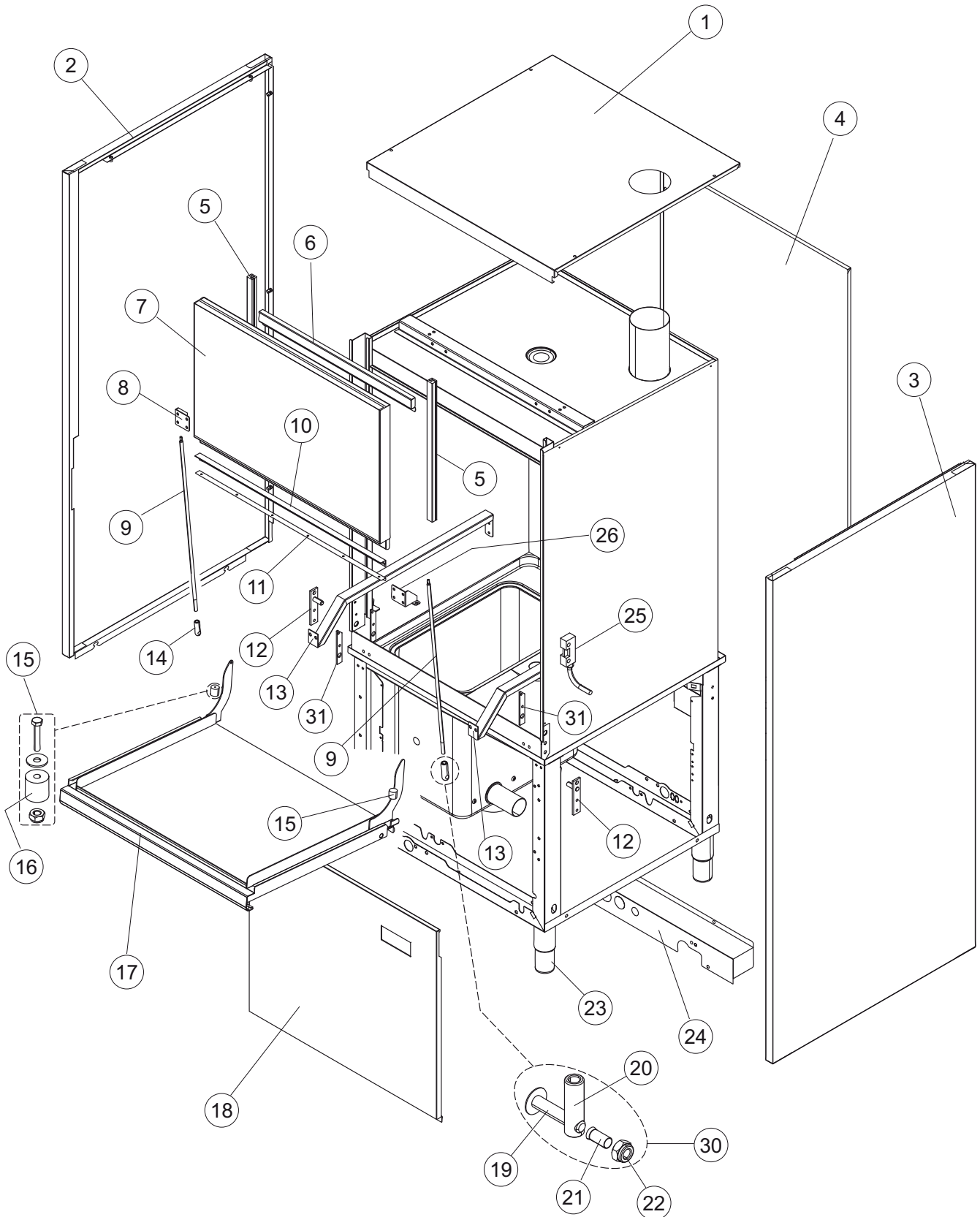
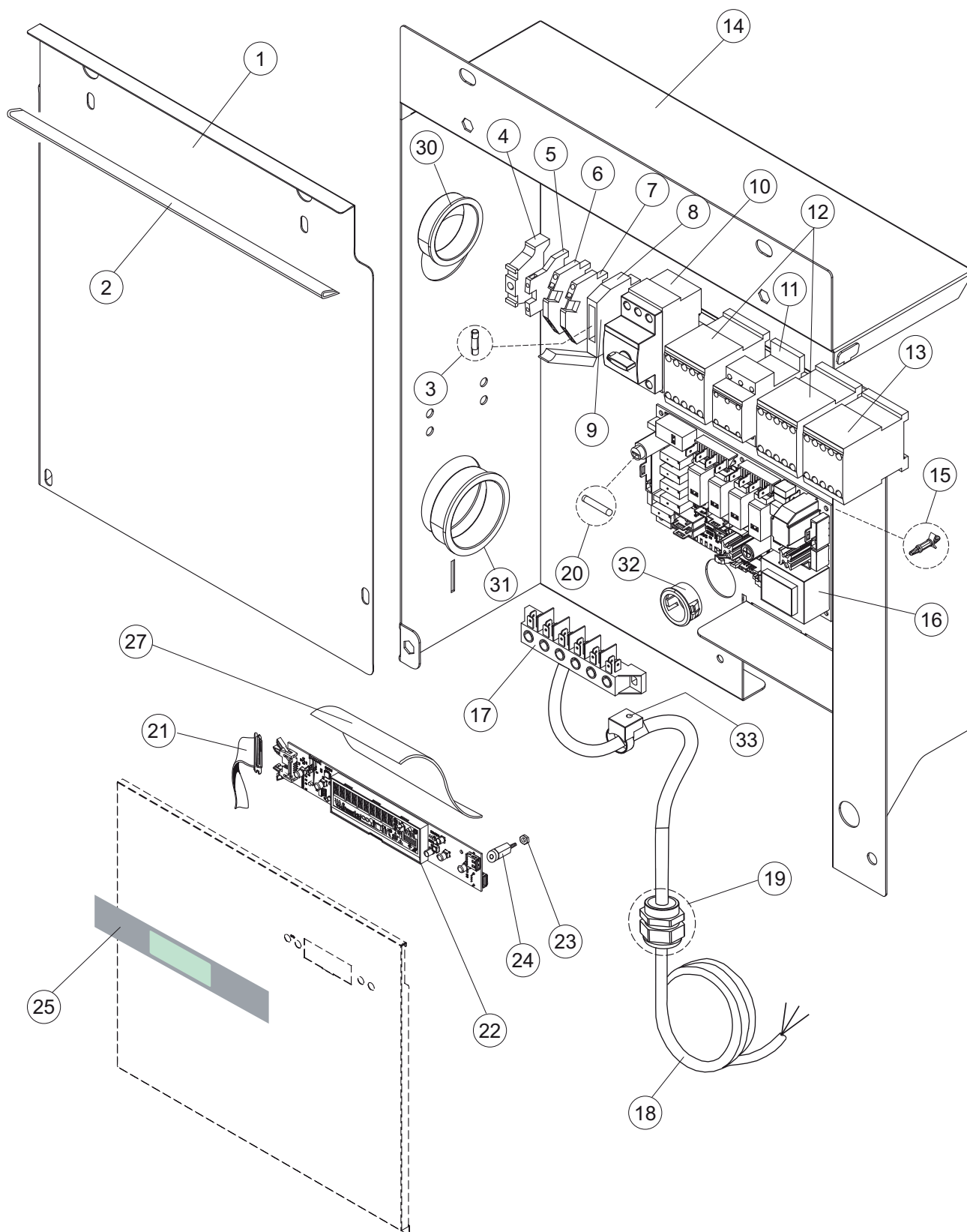


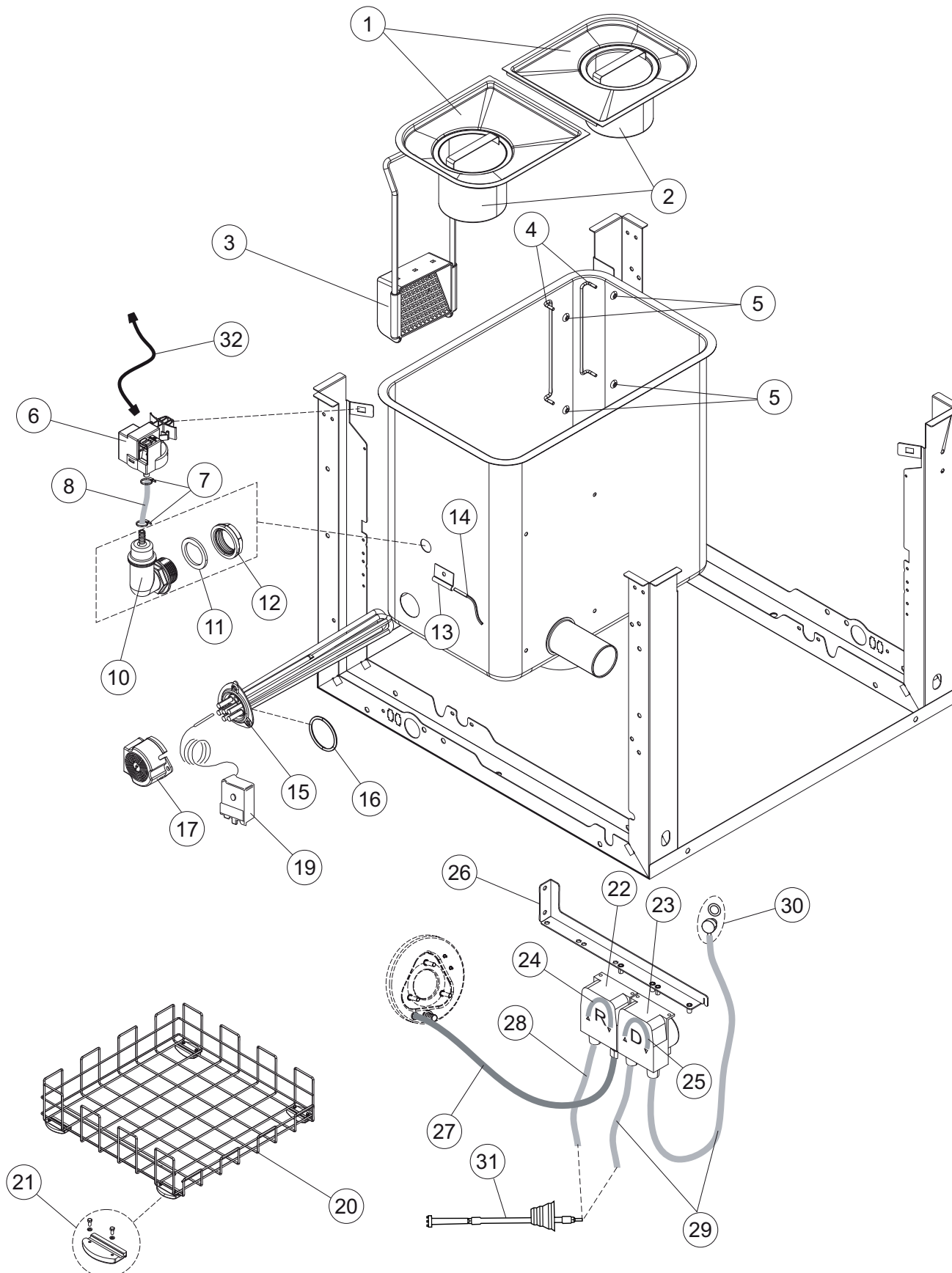
ROZKRES 1/9



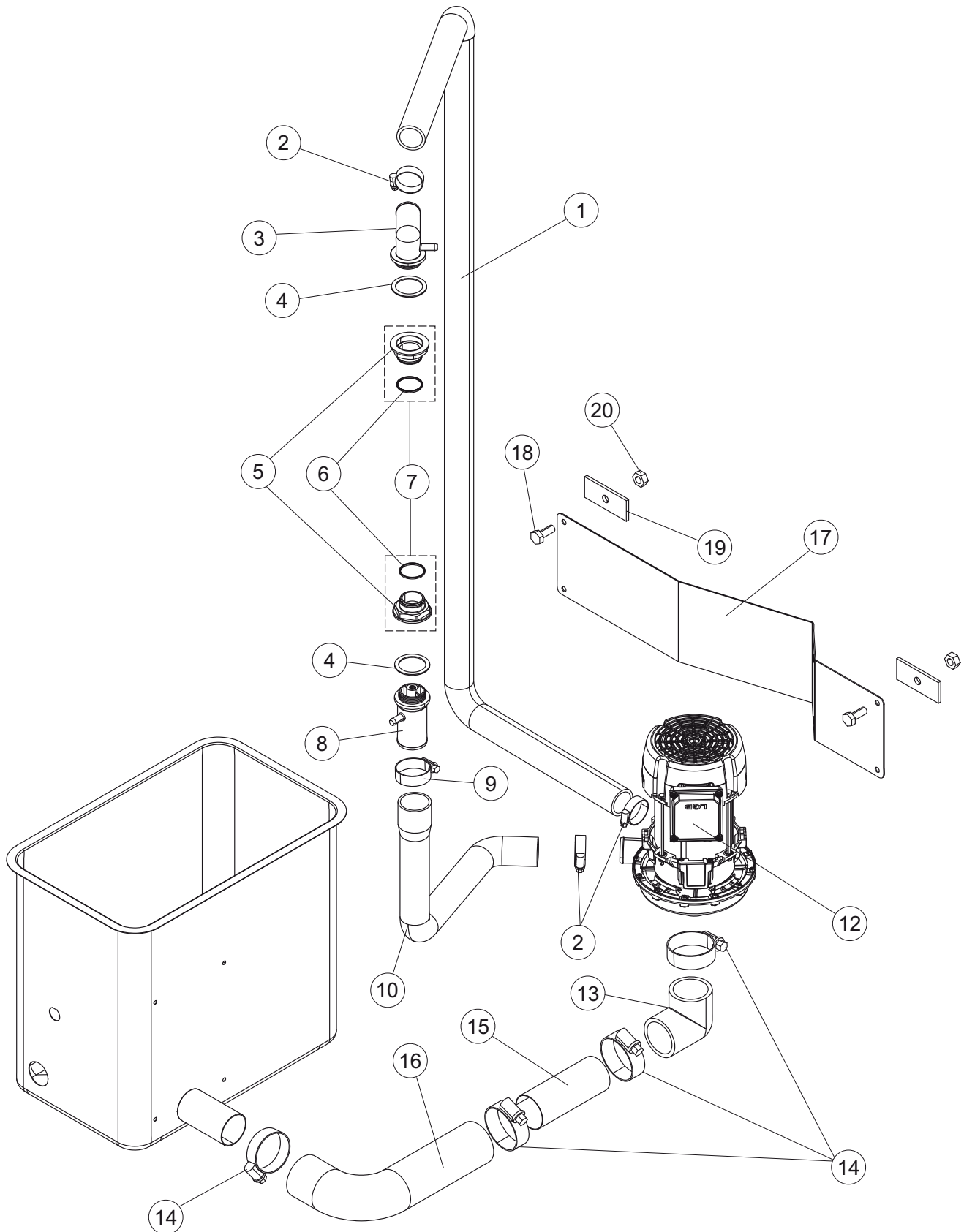
ROZKRES 2/9



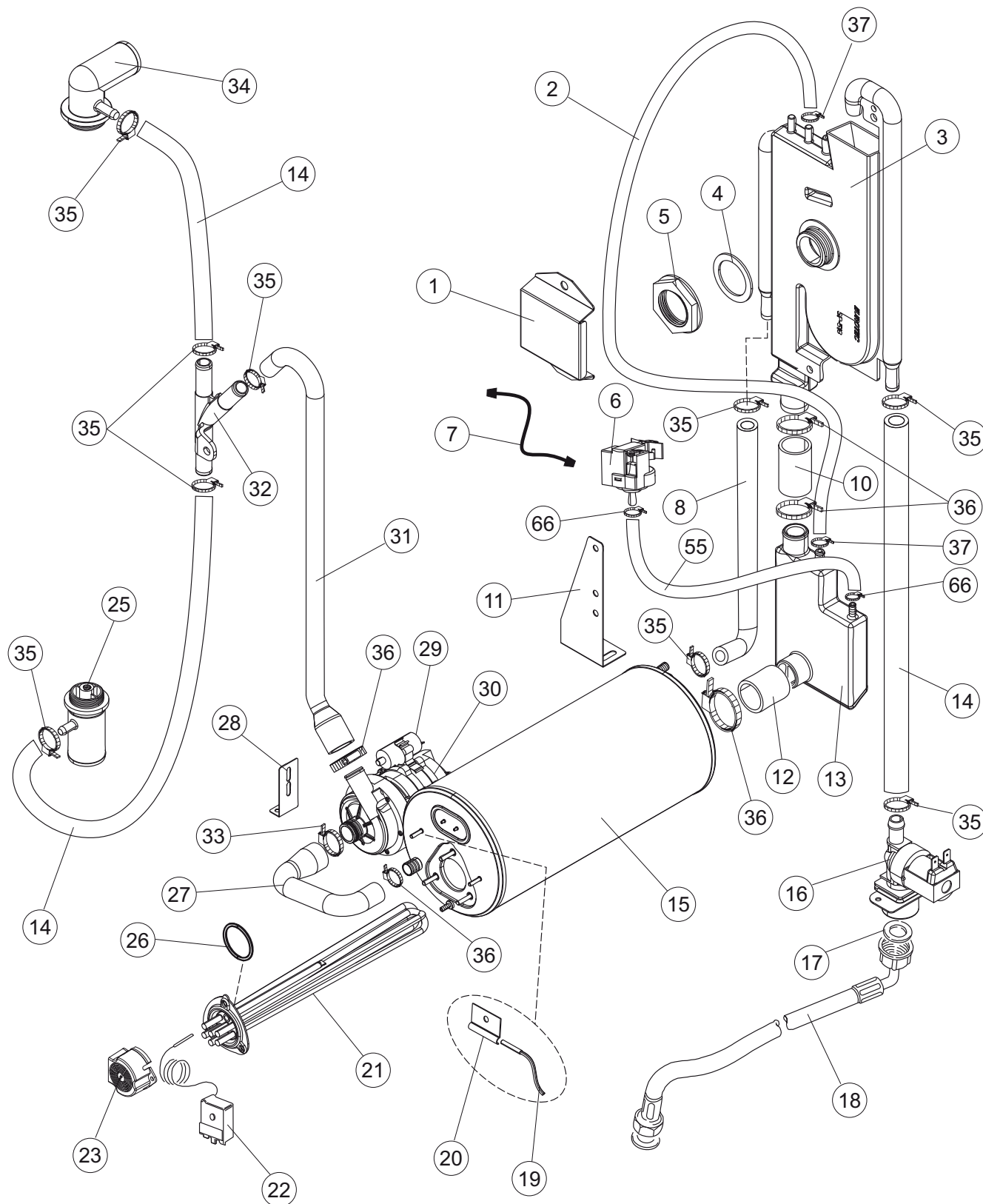
ROZKRES 3/9



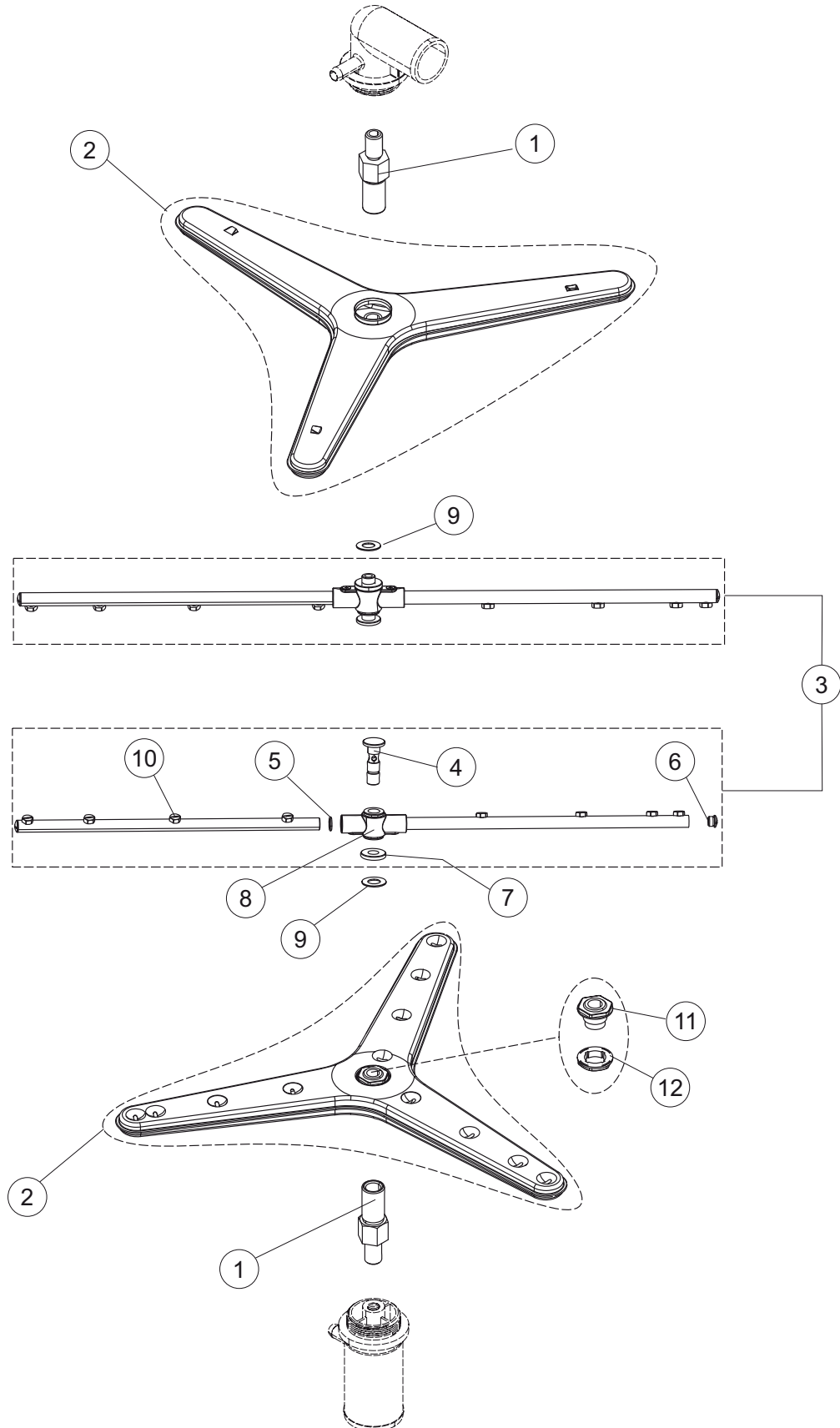
ROZKRES 4/9



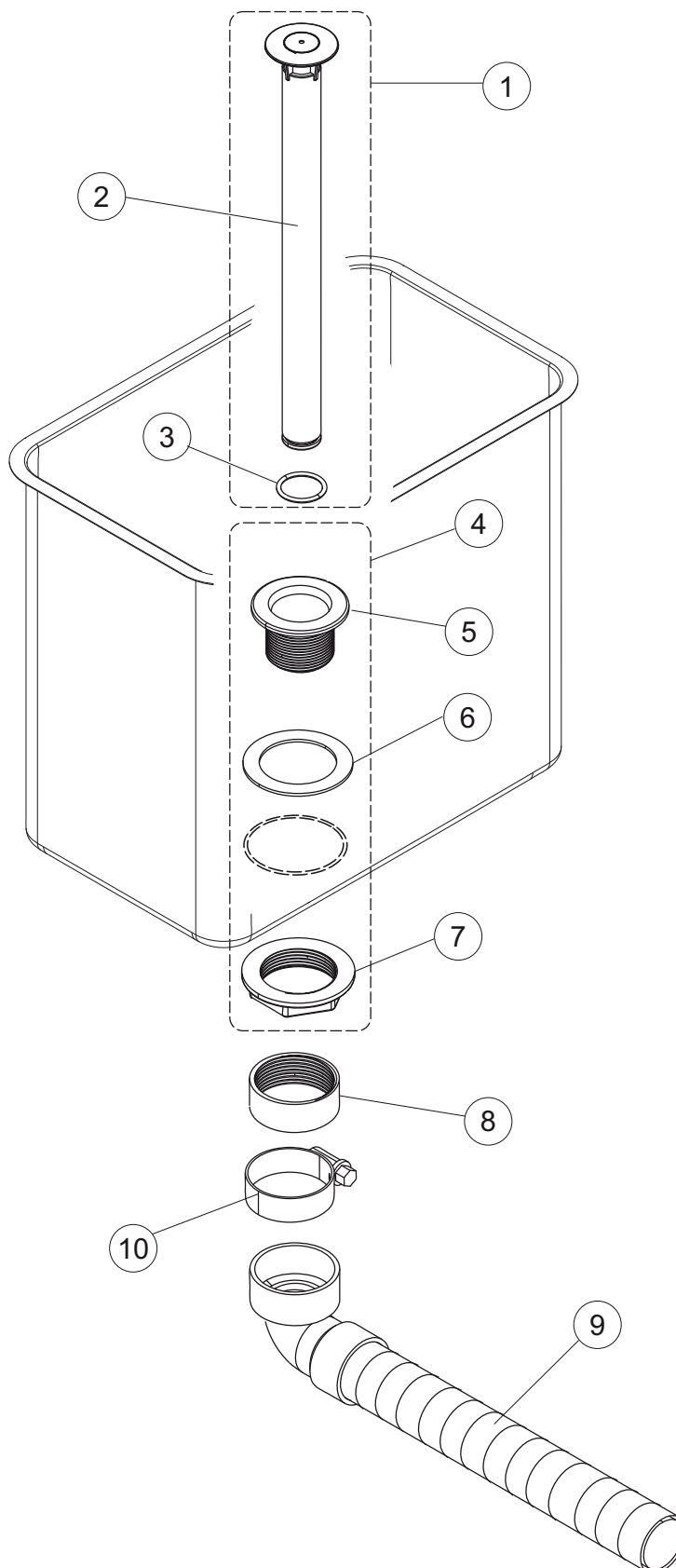
ROZKRES 5/9



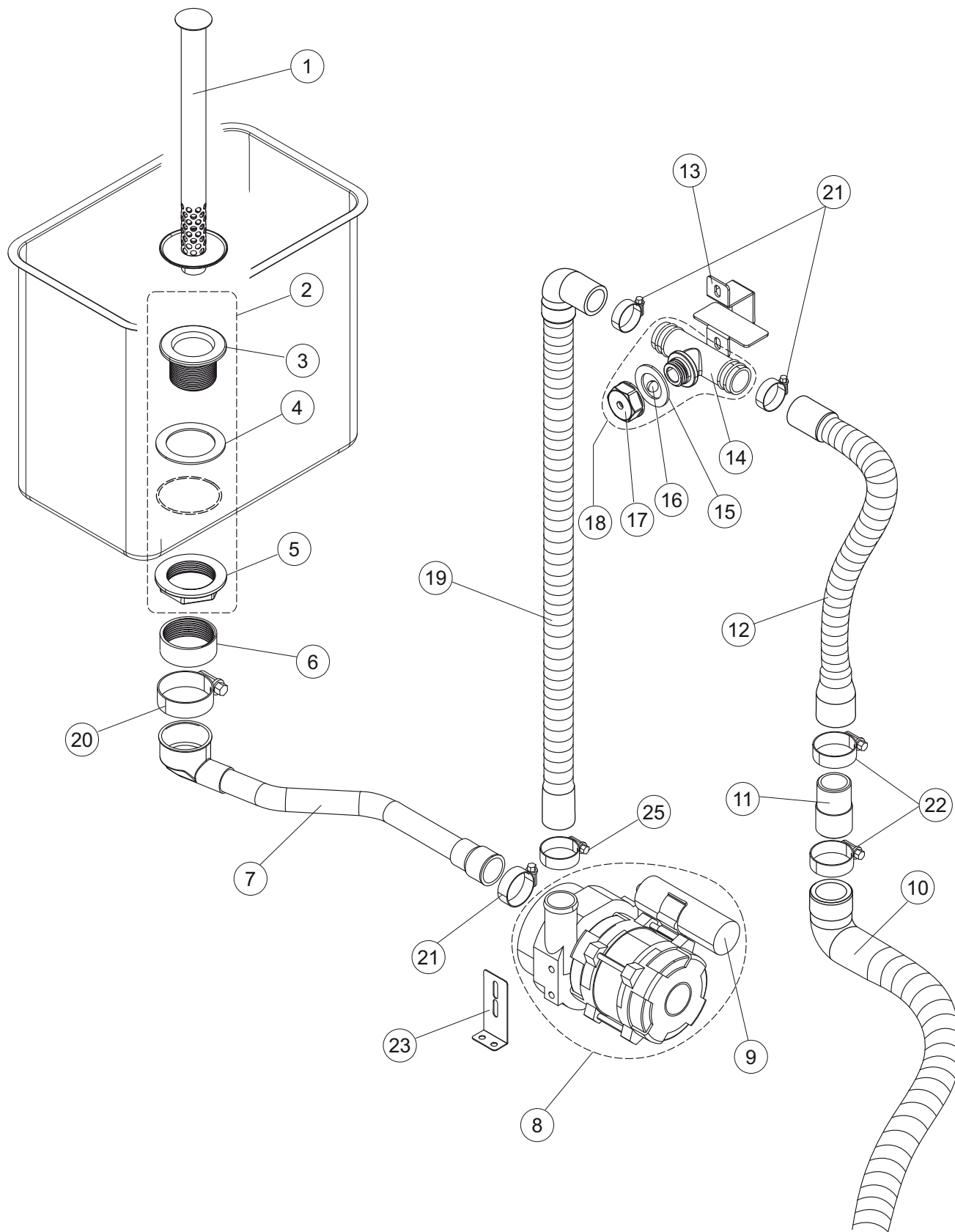
ROZKRES 6/9



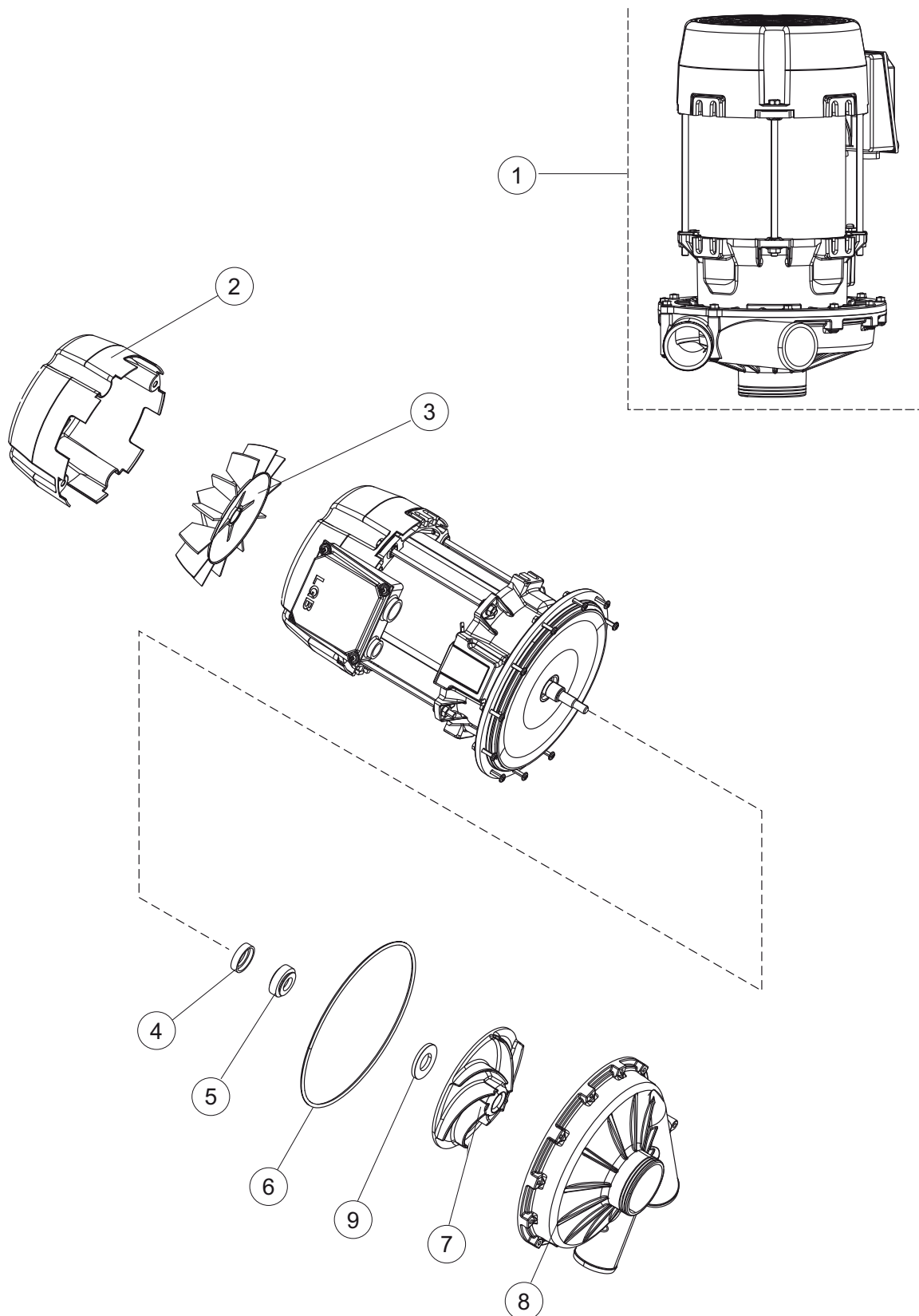
ROZKRES 7/9



ROZKRES 8/9



ROZKRES 9/9



| ROZKRES | POZICE | ČÍSLO |
|---------|--------|----------|
| 1 | 1 | 67218 |
| 1 | 2 | 67210 |
| 1 | 3 | 67214 |
| 1 | 4 | 67222 |
| 1 | 5 | 44265 |
| 1 | 6 | 42042 |
| 1 | 7 | 42780 |
| 1 | 8 | 4108801 |
| 1 | 9 | 44593 |
| 1 | 10 | 42783 |
| 1 | 11 | 42782 |
| 1 | 12 | 4114501 |
| 1 | 13 | 42539 |
| 1 | 14 | K41095 |
| 1 | 15 | K80105LP |
| 1 | 16 | 80105 |
| 1 | 17 | 42570 |
| 1 | 18 | 67436 |
| 1 | 19 | 486078 |
| 1 | 20 | 41095 |
| 1 | 21 | DZT7981 |
| 1 | 22 | CDI206AU |
| 1 | 23 | 927006 |
| 1 | 24 | 67621 |
| 1 | 25 | 80871 |
| 1 | 26 | 4108701 |
| 1 | 30 | K41095 |
| 1 | 31 | 4113501 |
| 2 | 1 | 67269 |
| 2 | 2 | 67061 |
| 2 | 3 | 228010 |
| 2 | 4 | 75817 |
| 2 | 5 | 927114 |
| 2 | 6 | 80822 |
| 2 | 7 | 80824 |
| 2 | 8 | H.228047 |
| 2 | 9 | H.228048 |
| 2 | 10 | DEI38N |
| 2 | 11 | 73351 |
| 2 | 12 | 73350 |
| 2 | 13 | 73354 |
| 2 | 14 | 67066 |
| 2 | 15 | CWP2 |

| ROZKRES | POZICE | ČÍSLO |
|---------|--------|--------------|
| 2 | 16 | 215041-9 |
| 2 | 17 | 220011 |
| 2 | 18 | 75989 |
| 2 | 19 | 75991 |
| 2 | 20 | 228010 |
| 2 | 21 | 80934 |
| 2 | 22 | 74905V |
| 2 | 23 | 417119 |
| 2 | 24 | 419036 |
| 2 | 25 | 67817 |
| 2 | 27 | 80732 |
| 2 | 30 | 70270 |
| 2 | 31 | 69076 |
| 2 | 32 | 70270 |
| 2 | 33 | 80831 |
| 3 | 1 | 42171 |
| 3 | 2 | 70159 |
| 3 | 3 | 75661 |
| 3 | 4 | 42092 |
| 3 | 5 | 472061 |
| 3 | 6 | 224031 |
| 3 | 7 | 423011 |
| 3 | 8 | 143235 |
| 3 | 10 | 70600 |
| 3 | 11 | 437098 |
| 3 | 12 | 417120 |
| 3 | 13 | H.775489-001 |
| 3 | 14 | 231016 |
| 3 | 15 | 230020C |
| 3 | 16 | 456002 |
| 3 | 17 | 69870 |
| 3 | 19 | 927057 |
| 3 | 20 | 42305 |
| 3 | 21 | K41400 |
| 3 | 22 | 209042 |
| 3 | 23 | 209043 |
| 3 | 24 | 143261 |
| 3 | 25 | 143258 |
| 3 | 26 | 67042 |
| 3 | 27 | 143005 |
| 3 | 28 | H.775601 |
| 3 | 29 | 143194 |
| 3 | 30 | 999348 |

| ROZKRES | POZICE | ČÍSLO |
|---------|--------|--------------|
| 3 | 31 | 425013 |
| 3 | 32 | 203425-1 |
| 4 | 1 | 67039 |
| 4 | 2 | CFS1A |
| 4 | 3 | 67180 |
| 4 | 4 | 80182 |
| 4 | 5 | 80281 |
| 4 | 6 | 303032 |
| 4 | 7 | 80285 |
| 4 | 8 | 67179 |
| 4 | 9 | CFS2 |
| 4 | 10 | 67016 |
| 4 | 12 | 67600 |
| 4 | 13 | 926056 |
| 4 | 14 | CFS3 |
| 4 | 15 | 67591 |
| 4 | 16 | 67592 |
| 4 | 17 | 67255 |
| 4 | 18 | CVZ124F |
| 4 | 19 | 926064 |
| 4 | 20 | CDZ208R |
| 5 | 1 | 43527 |
| 5 | 2 | H.165168 |
| 5 | 3 | 144021 |
| 5 | 4 | 437104 |
| 5 | 5 | 417125 |
| 5 | 6 | 224031 |
| 5 | 7 | 87111 |
| 5 | 8 | 143004 |
| 5 | 10 | 929171 |
| 5 | 11 | 42616 |
| 5 | 12 | 127095 |
| 5 | 13 | 144032 |
| 5 | 14 | 143010 |
| 5 | 15 | 67900 |
| 5 | 16 | 240018 |
| 5 | 17 | 437041 |
| 5 | 18 | 143270 |
| 5 | 19 | 231016 |
| 5 | 20 | H.775489-001 |
| 5 | 21 | 230020C |
| 5 | 22 | 927057 |
| 5 | 23 | 69870 |

| ROZKRES | POZICE | ČÍSLO |
|---------|--------|-----------|
| 5 | 25 | 67179 |
| 5 | 26 | 456002 |
| 5 | 27 | 69068 |
| 5 | 28 | 80712 |
| 5 | 29 | 206013 |
| 5 | 30 | 80627 |
| 5 | 31 | 73270 |
| 5 | 32 | 143268 |
| 5 | 33 | CFS25 |
| 5 | 34 | 67180 |
| 5 | 35 | 927322 |
| 5 | 36 | CFS18 |
| 5 | 37 | 423026 |
| 5 | 55 | 143235 |
| 5 | 66 | 423011 |
| 6 | 1 | 67563 |
| 6 | 2 | 67315 |
| 6 | 3 | 67279 |
| 6 | 4 | 80696 |
| 6 | 5 | 456019 |
| 6 | 6 | 80687 |
| 6 | 7 | 80679 |
| 6 | 8 | 999314 |
| 6 | 9 | 80622 |
| 6 | 10 | 80657 |
| 6 | 11 | 80310 |
| 6 | 12 | 80314 |
| 7 | 1 | K42582 |
| 7 | 2 | 42582 |
| 7 | 3 | CGR4131NT |
| 7 | 4 | K75871 |
| 7 | 5 | 75871 |
| 7 | 6 | 75873 |
| 7 | 7 | 75872 |
| 7 | 8 | 67523 |
| 7 | 9 | 143136 |
| 7 | 10 | CFS1A |
| 8 | 1 | 67587 |
| 8 | 2 | K75871 |
| 8 | 3 | 75871 |
| 8 | 4 | 75873 |
| 8 | 5 | 75872 |
| 8 | 6 | 67523 |

| ROZKRES | POZICE | ČÍSLO |
|---------|--------|--------|
| 8 | 7 | 127056 |
| 8 | 8 | K67117 |
| 8 | 9 | 67123 |
| 8 | 10 | 143252 |
| 8 | 11 | 70167 |
| 8 | 12 | 70110 |
| 8 | 13 | 73574 |
| 8 | 14 | 144024 |
| 8 | 15 | 437083 |
| 8 | 16 | 476008 |
| 8 | 17 | 468199 |
| 8 | 18 | 73576 |
| 8 | 19 | 80702 |
| 8 | 20 | CFS1A |
| 8 | 21 | CFS18 |
| 8 | 22 | CFS1 |
| 8 | 23 | 80712 |
| 8 | 25 | CFS18 |
| 9 | 1 | 67600 |
| 9 | 2 | 66456 |
| 9 | 3 | 66457 |
| 9 | 4 | 66452 |
| 9 | 5 | 66453 |
| 9 | 6 | 66455 |
| 9 | 7 | 66458 |
| 9 | 8 | 66451 |
| 9 | 9 | CRI10 |