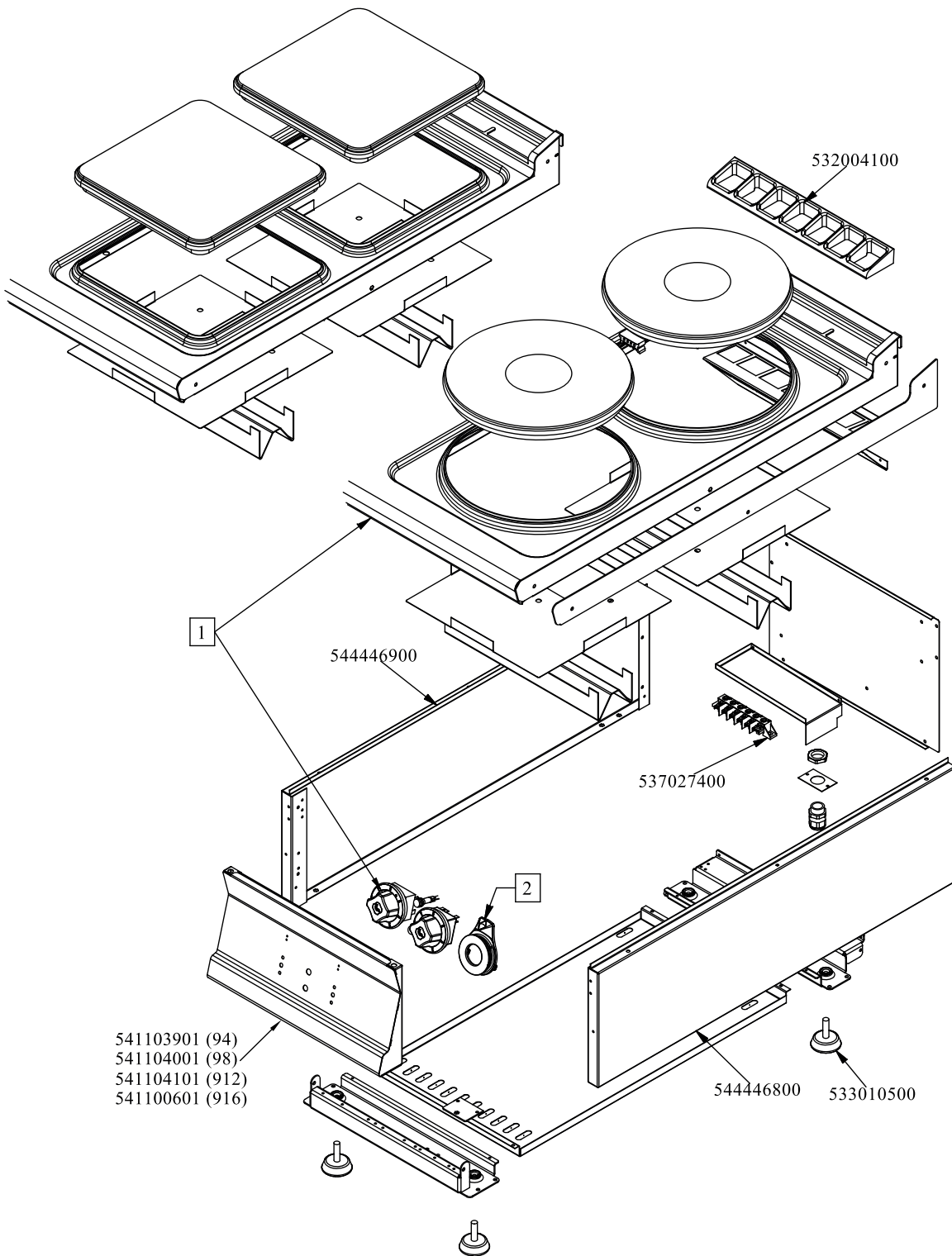


RM 900

Platný od 1.5. 2019

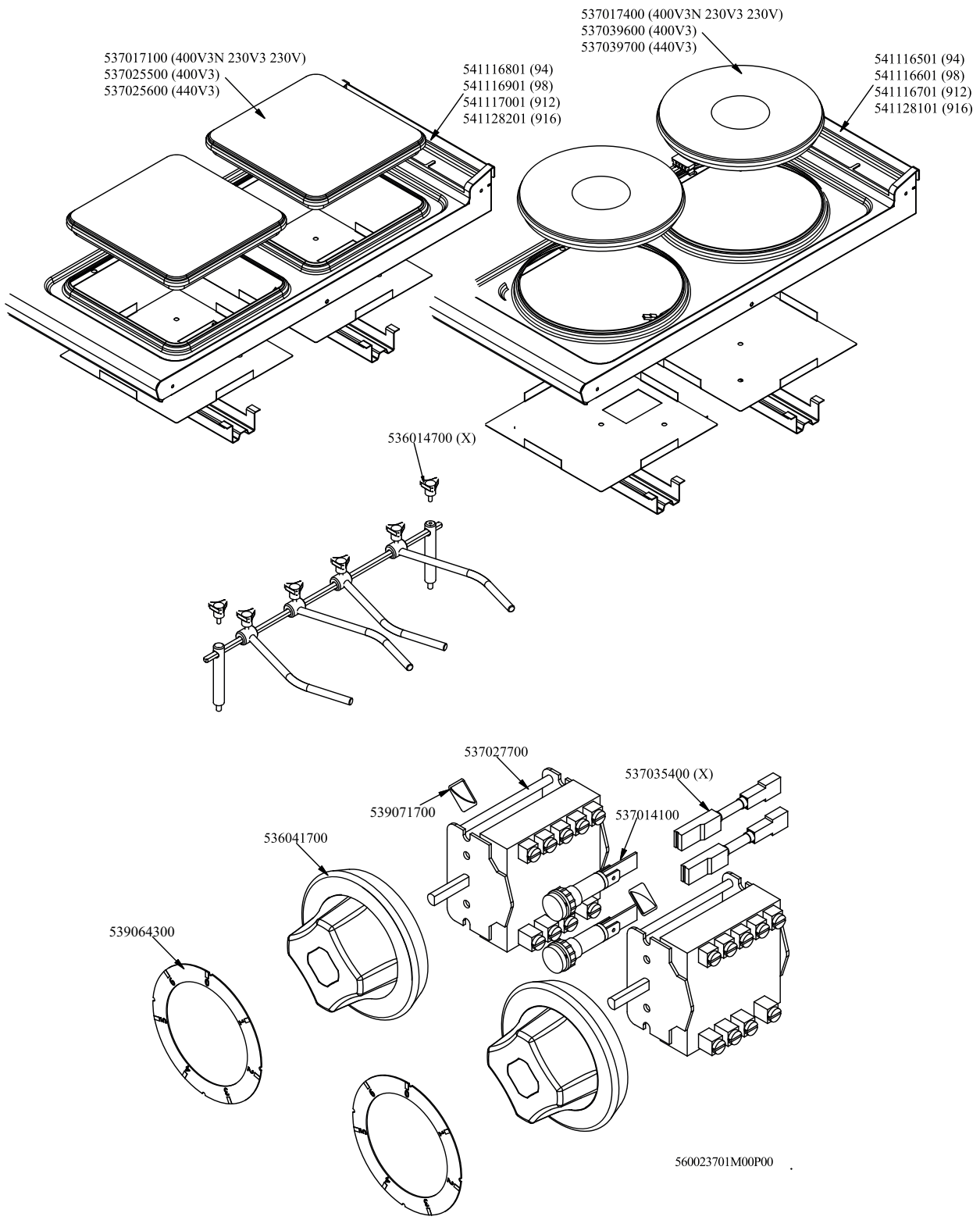
PCT-94ET, PCT-98ET, PCT-912ET, PCT-916ET

PCQT-94ET, PCQT-98ET, PCQT-912ET, PCQT-916ET



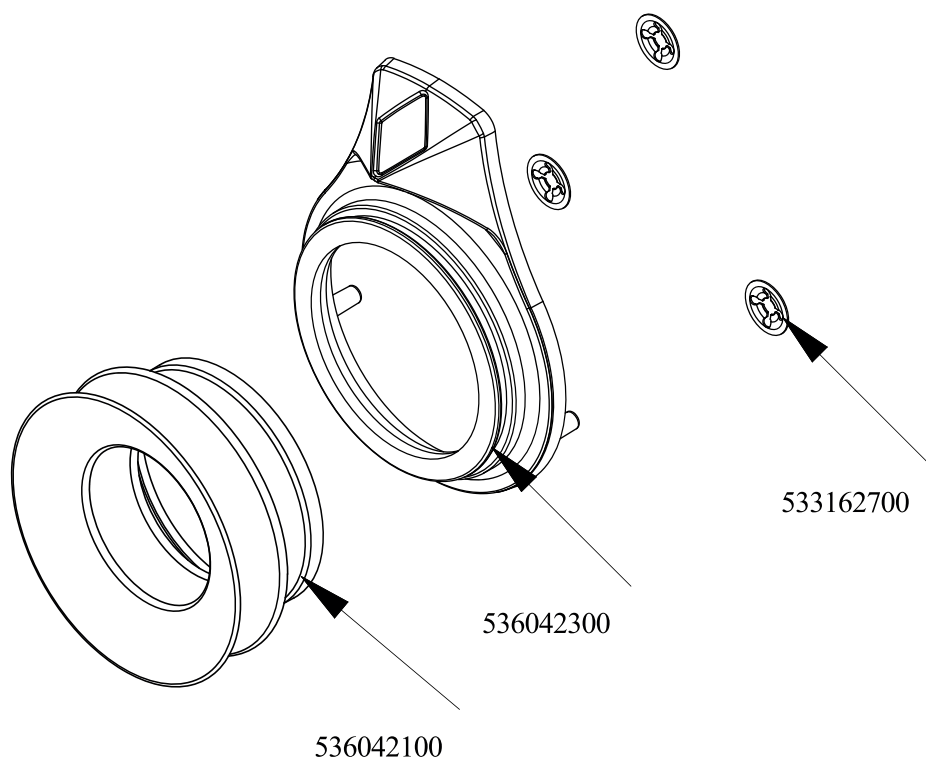


Objednací kód	Popis v ENG
541103901	
544446800	
533010500	LEG M10*25 D.40
537027400	TERMINAL BLOCK THREEPHASE 40A
544446900	LHD SIDE FOR 90T APPLIANCES
532004100	FLUE GRID L=370 90LINE (RAF)
-	-
-	-





Objednačí kód	Popis v ENG
539071700	ADHES.LABEL FOR RING GREEN SIGN.
537014100	WHITE WARNING LIGHT 250V
537035400	HEATING ELEMENT 00003W 330KOHM W/F
537027700	COMMUTATOR 7 POSITIONS S.43 32A
536041700	SILVER CHROM. KNOB Ø77 4P.G.Ø06X4,6
539064300	BLACK ADESIVE DISK FOR PC-E
536014700	3 DRILL WHEELS
537017100	PLATE 300X300 W4000 V230
537025500	PLATE 300X300 W4000 V400
537025600	PLATE 300X300 W4000 V440
537017400	ELECTRICAL PLATE D.300 W3500 V230
537039600	ELECTRICAL PLATE D.300 W3500 V400
537039700	ELECTRICAL PLATE D.300 W3500 V440
541116501	
541116601	
541116701	
541128101	
541116801	
541116901	
541117001	
541128201	



560125700M00P00



Objednačí kód	Popis v ENG
536042300	SILVER CHROM. RING FOR KNOB Ø77 4 P
536042100	SEAL CASING FOR KNOB Ø77 4 P
533162700	PROCESSING CODE