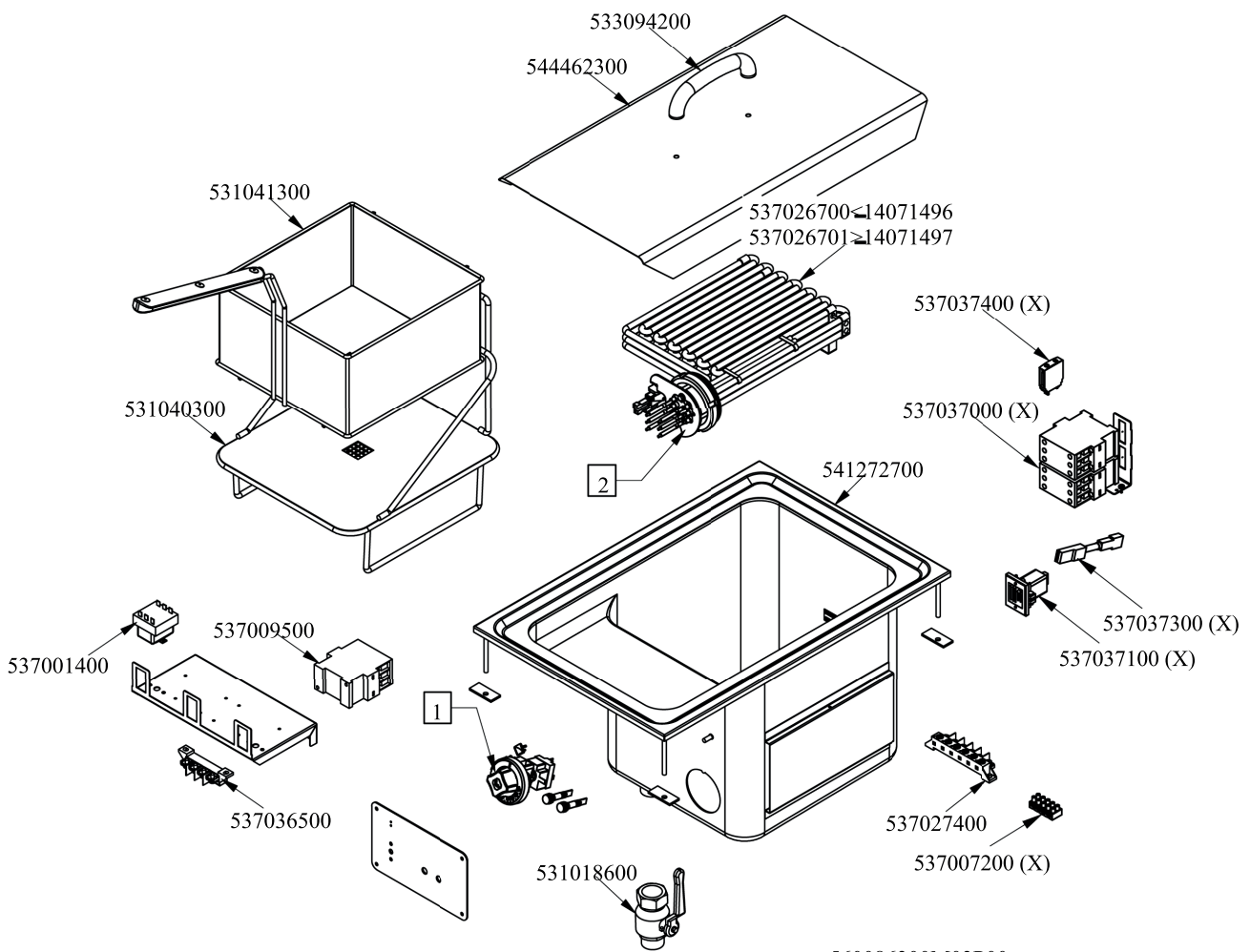




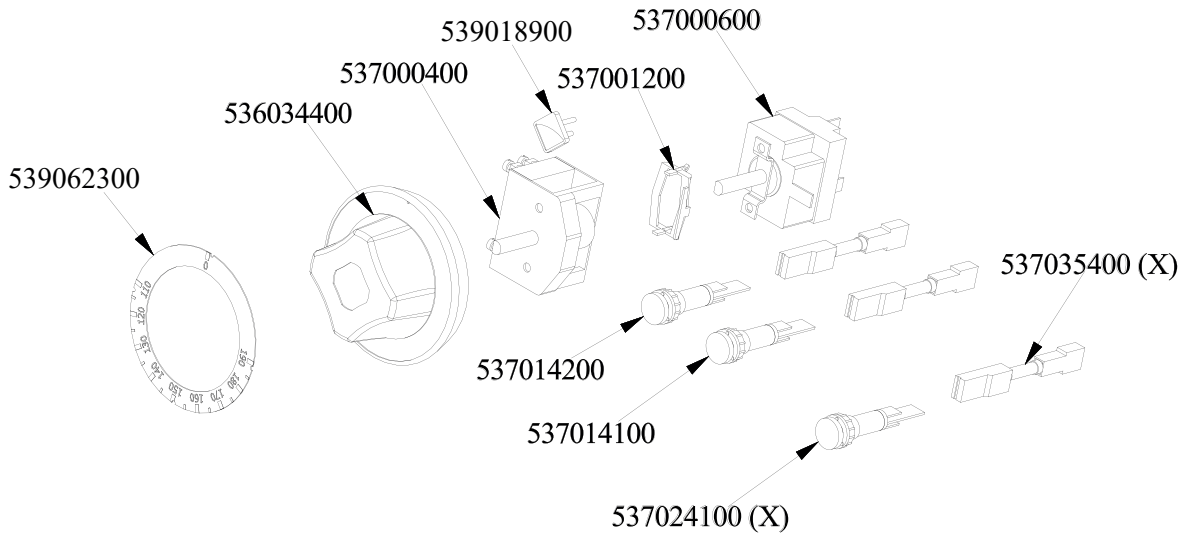
RM Drop In
 Platný od 1.5. 2019
 F18D-64ET



560086300M03P00 .



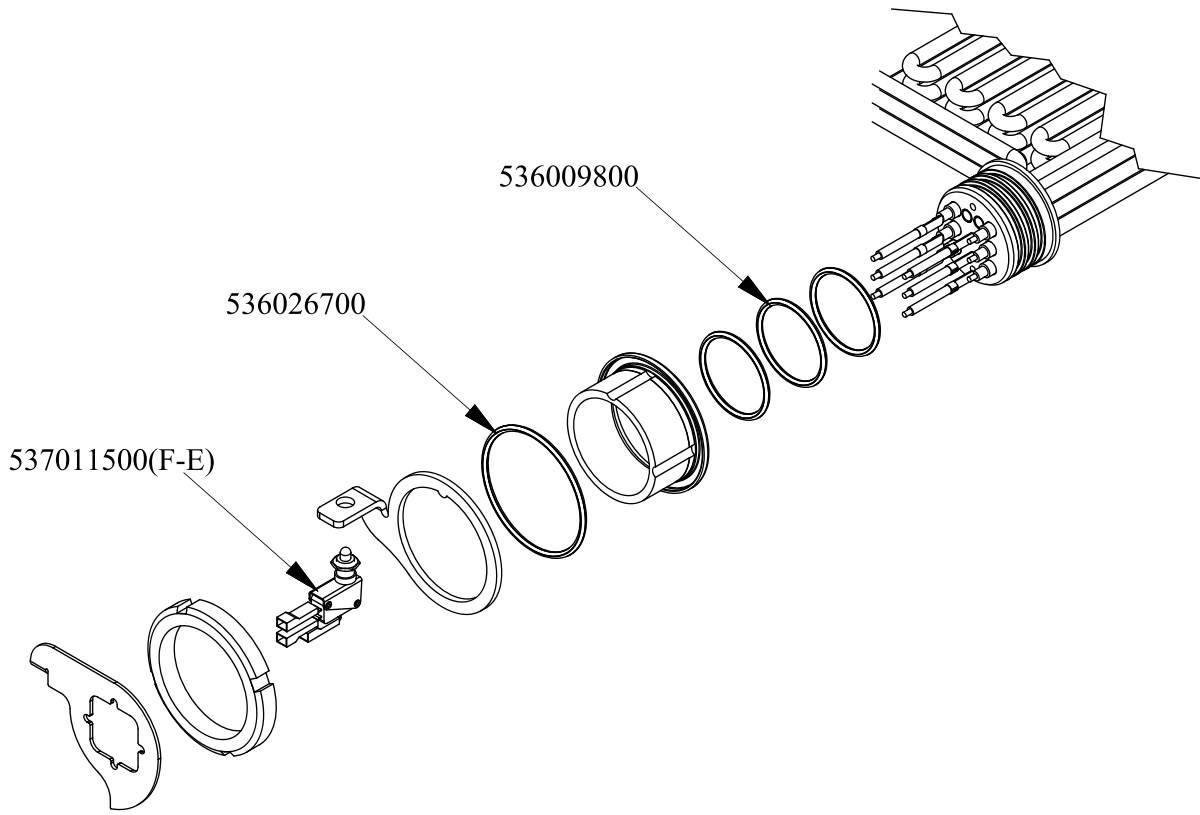
Objednací kód	Popis v ENG
533094200	S/S HANDLE FOR 70/90 SERIES
544462300	TANK LID FOR F-70
531018600	BALL VALVE 1"G M-F CPM-62G
531041300	BASKET FOR F18-74/94E 280X290X150
531040300	TANK FILTER/BASKET SUPPORT F18+94E
537001400	SAFETY THERMOSTAT 245°C THREEPHASE
537009500	REMOTE CONTR.SWITCH35A 690V B.230V
537027400	TERMINAL BLOCK THREEPHASE 40A
541272700	UPPER PLATE DROP IN F18D-64ET
537036500	TERMINAL BLOCK 4POLES 40A SCREW-SCR
537026700	HEATING EL.13500W 230V 3 ROTAT.EL.
537026701	HEATING ELEMENT F18 15900W 3-230V
-	-
-	-



560100200M01P 00



Objednací kód	Popis v ENG
537000600	THERMOSTAT 90-180°C SINGLEPHASE
539018900	INDEX FOR KNOB RED SIGN
537000400	COMMUTATOR 1POS.SINGLEPHASE S49 16A
537001200	FIXING BRACKET FOR THERMOSTAT/COMM.
536034400	KNOB §77 4P. §06*4,6 C/M
539062300	RED STICKING DISK 72 (110,190°)
537035400	HEATING ELEMENT 00003W 330KOHM W/F
537014200	GREEN WARNING LIGHT 250V
537014100	WHITE WARNING LIGHT 250V
537024100	RED WARNING LIGHT LOW BUD 110V



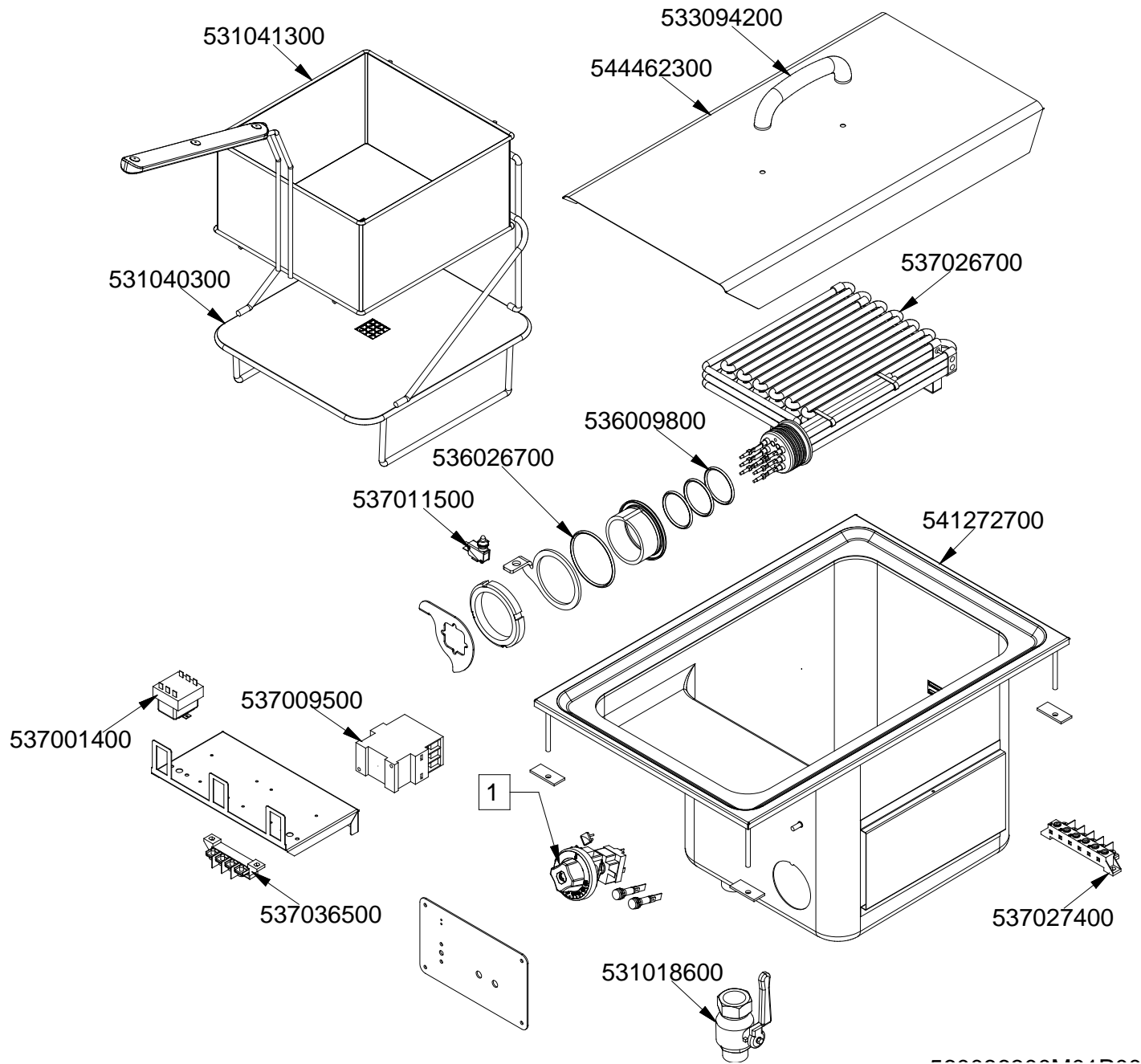
560111000M00P00



Objednací kód	Popis v ENG
536009800	GASKET O-RING 47,22X3,53 VITON
536026700	GASKET O-RING 74,61X3,53 VITON
537011500	MICRO-SWITCH 10A 400V



F18D-64ET
Platný od
1.5.2016
do 30.4.2019





F18D-64ET
Platný od
1.5.2016
do 30.4.2019

