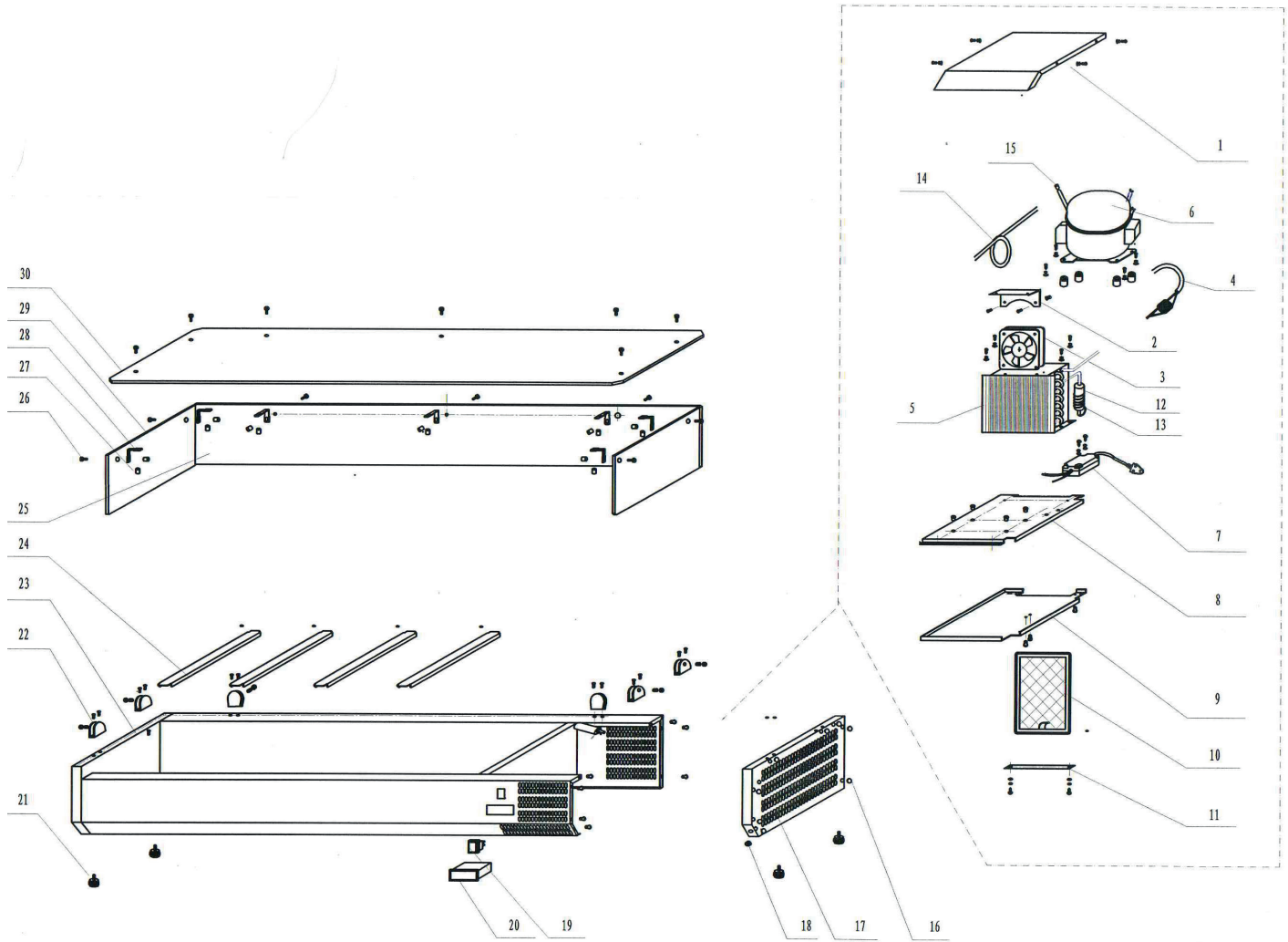


VCH 4140  
2020\_03



VCH 4140

2020\_03

| NO. | NAME                   |
|-----|------------------------|
| 1   | UNIT ROOM COVER        |
| 2   | FAN FIX PLATE          |
| 3   | EVAPORATOR FAN         |
| 4   | HIGH PRESSURE PIPE     |
| 5   | CONDENSER              |
| 6   | COMPRESSOR             |
| 7   | WIRE BOX               |
| 8   | CONDENSER UNITE PLATE  |
| 9   | UNIT BOARD             |
| 10  | FILTER                 |
| 11  | REINFORCE BOARD        |
| 12  | FILTER DRIER           |
| 13  | CAPILLARY              |
| 14  | GAS RETURE PIPE        |
| 15  | GAS FILLED PIPE        |
| 16  | SCREWS COVER           |
| 17  | RIGHT SIDE             |
| 18  | WIRE POTECT PIPE       |
| 19  | MAIN SWITCH            |
| 20  | THERMOSTAT             |
| 21  | ADJUSTABLE FEET        |
| 22  | GLASS FIX              |
| 23  | BODY                   |
| 24  | PAN HOLDER             |
| 25  | BACK GLASS             |
| 26  | GLASS SCREWS           |
| 27  | GLASS SCREWS           |
| 28  | GLASS CONNECTION PARTS |
| 29  | SIDE GLASS             |
| 30  | TOP GLASS              |