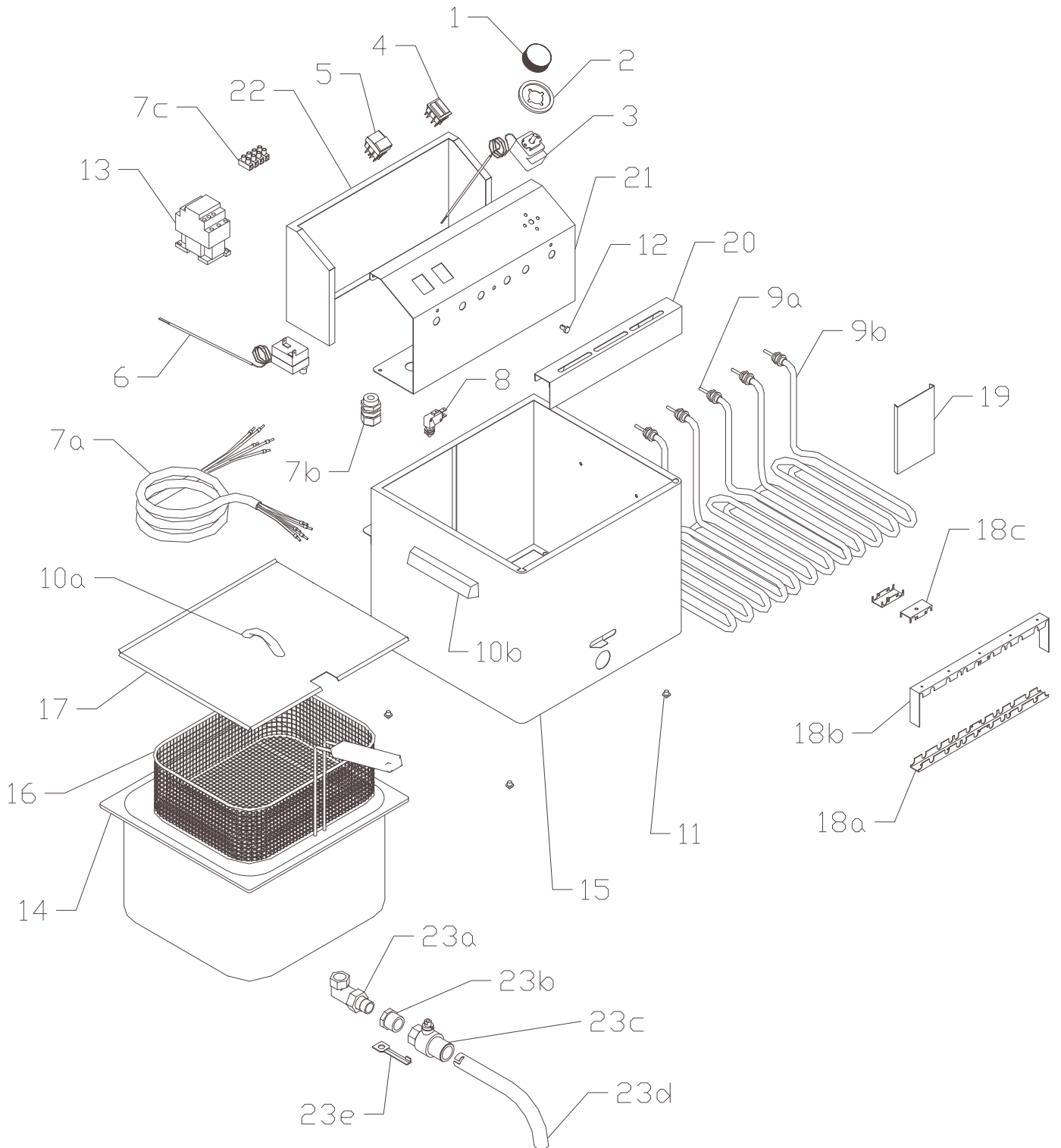




FE-10T
od 10-2012



**FE-10T**
od 10-2012

FE-10T	
Pozice	Kód
1	402592000
2	402595000
3	402502000
4	401510000
5	401500530
6	402511000
7a	402010700
7b	402086016
7c	402080100
8	401520000
9a	401001000
9b	401002000
10a	407801500
10b	407800100
11	407810100
12	408703100
13	401531000
14	500112000
15	500107000
16	408001000
17	450133000
18a	450133500
18b	450131500
18c1	450247000
18c2	450247050
19	450146500
20	450132500
21	500107500
22	450131000
23a	409006200
23b	409017100
23c	409002100
23d	409002110
23e1	408704100
23e2	407803190

Exploded view

TABLE A: LABELS

MODEL	CODE	NOTE
VT	402594273	
TO - 940	402594234	Switch
TO - 940	402594235	Timer
TO - 960	402594234	Switch
TO - 960	402594235	Timer
TO - 920	402594233	Switch
TO - 920	402594235	Timer
TO - 930	402594233	Switch
TO - 930	402594235	Timer
VEC	402594241	
PM - LTF	402594244	
KD	402594243	
FP - 36	402594237	
FP - 66		
FP - 37		
FP - 67		
FT	402594247	
PD		
PM		
PS		
FP - 38		
FP - 68		
FE	402594272	
BM	402594236	
BMV		
HD		
WE		
WEV		
OTS		
UH		
BM-D	402594271	
SE		
CW		
GV		

