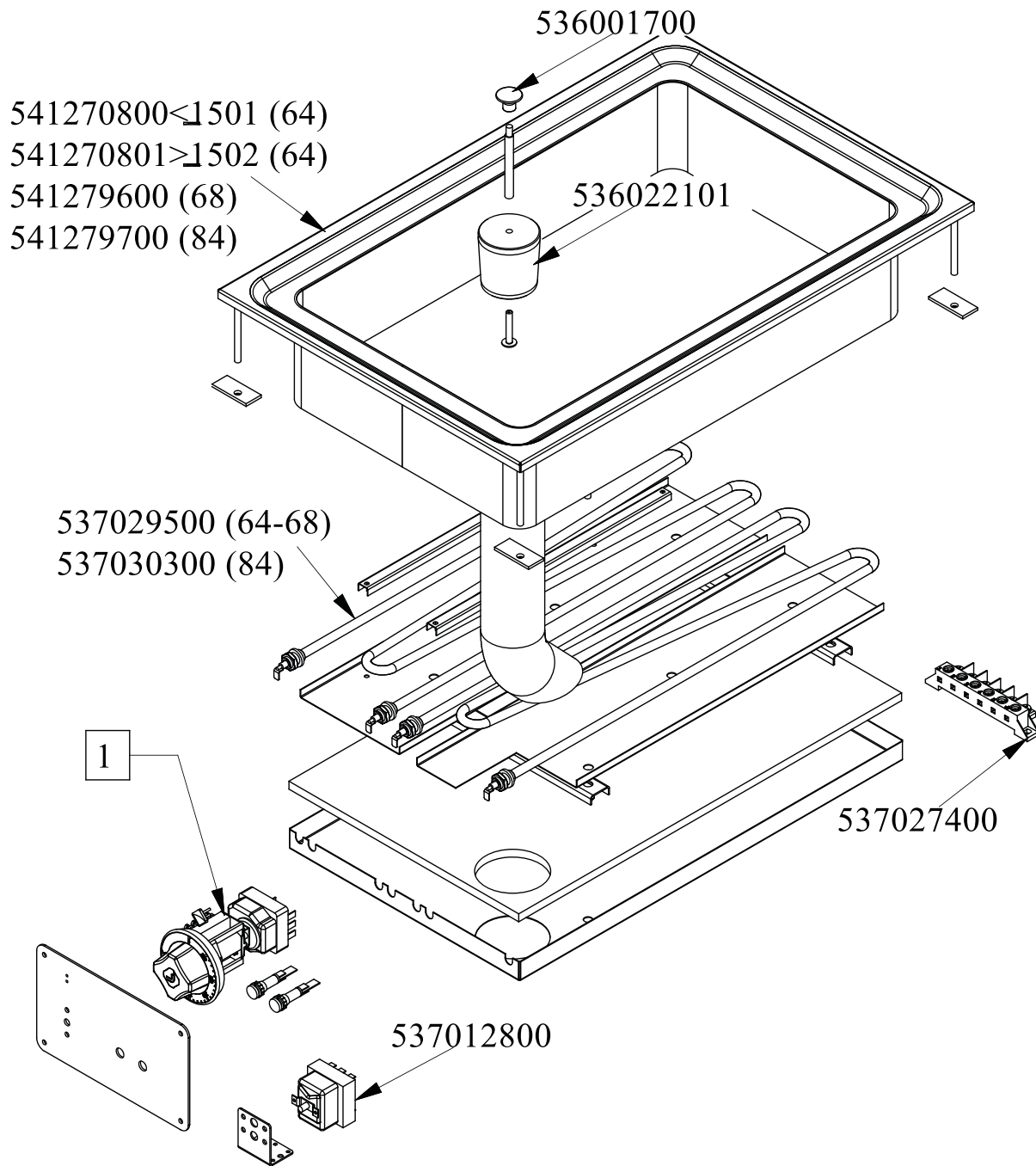


RM Drop In

Platný od 1.5. 2019

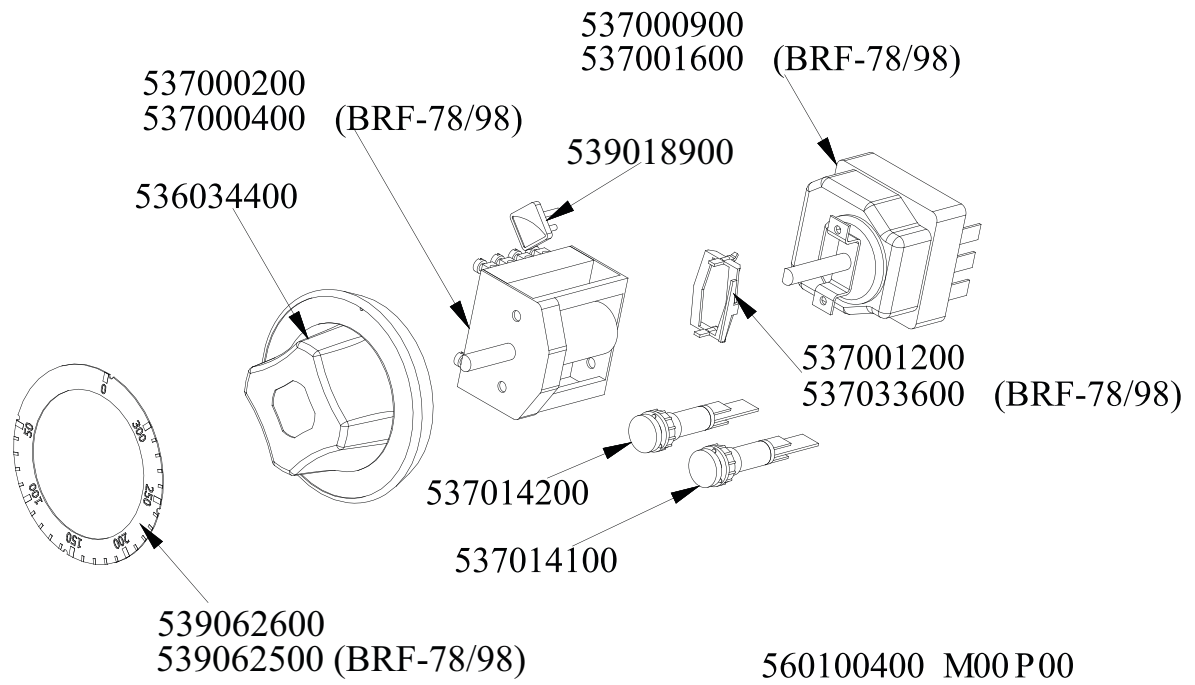
BRFD-64ET, BRFD-68ET, BRFD-84ET



560086000M03P00



Objednací kód	Popis v ENG
537027400	TERMINAL BLOCK THREEPHASE 40A
537012800	SAFETY THERMOSTAT 420°C THREEPHASE
536022101	PLUG FOR BRF BASIN
536001700	GRIP D.25*19*M6
541270800	UPPER PLATE DROP IN BRFD-64ET
541270801	
537029500	HEATING EL. BRF 70 W2000 V230
-	-

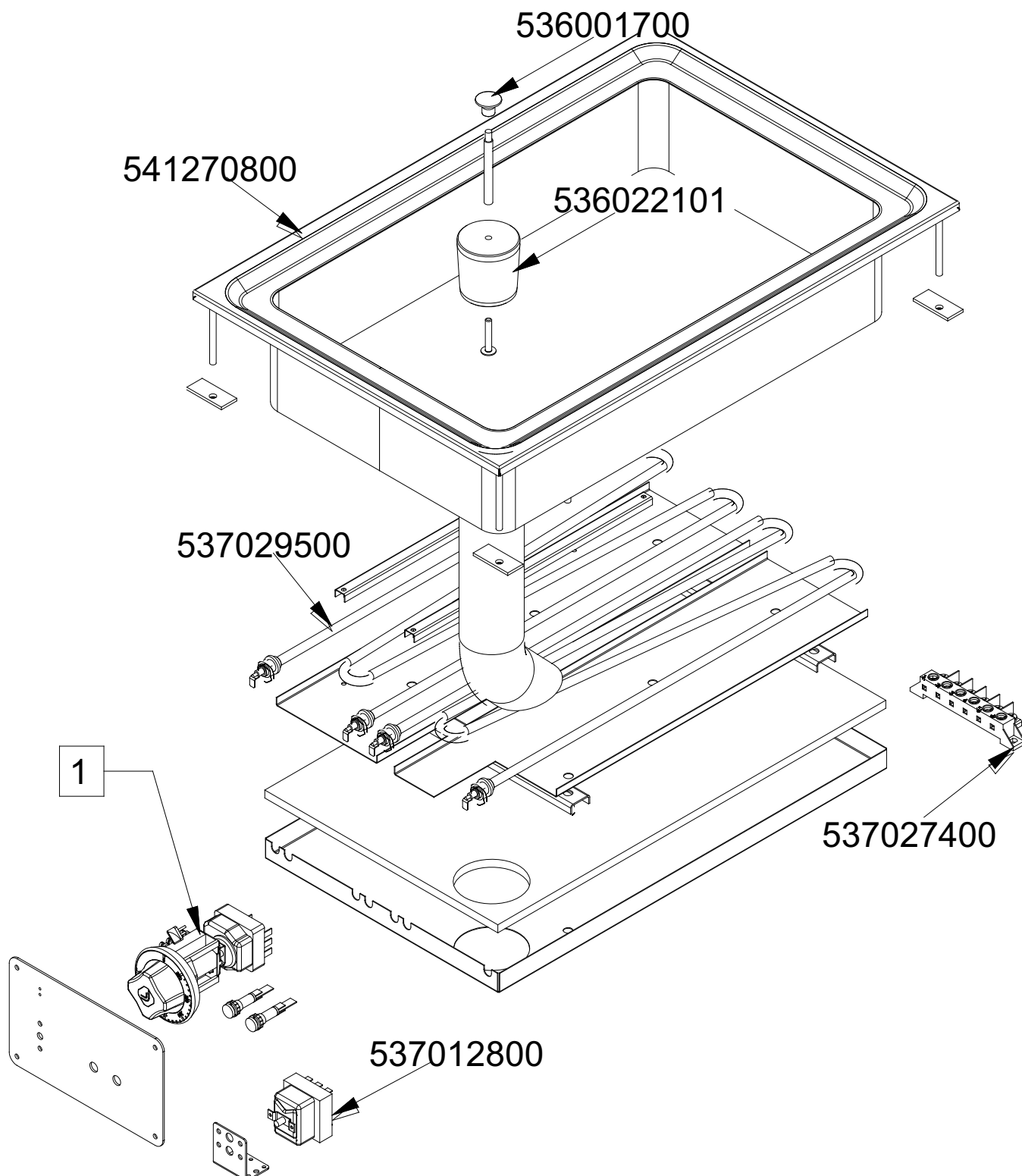




Objednací kód	Popis v ENG
537000900	THERMOSTAT 063-320°C THREEPHASE
537001600	THERMOSTAT 50-320°C SINGLEPHASE
537000200	COMMUTATOR 1 POS. 3PHASE S.49 16A
537000400	COMMUTATOR 1 POS.SINGLEPHASE S49 16A
539018900	INDEX FOR KNOB RED SIGN
536034400	KNOB §77 4P. §06*4,6 C/M
537001200	FIXING BRACKET FOR THERMOSTAT/COMM.
537033600	FIXING BRACKET FOR THERMOSTAT/COMM.
537014200	GREEN WARNING LIGHT 250V
537014100	WHITE WARNING LIGHT 250V
539062600	RED STICKING DISK 72 (050,300°)



BRFD-64ET  
Platný od  
1.5.2016  
do 30.4.2019





**BRFD-64ET**

„1“

**Platný od**

**1.5.2016**

**do 30.4.2019**

