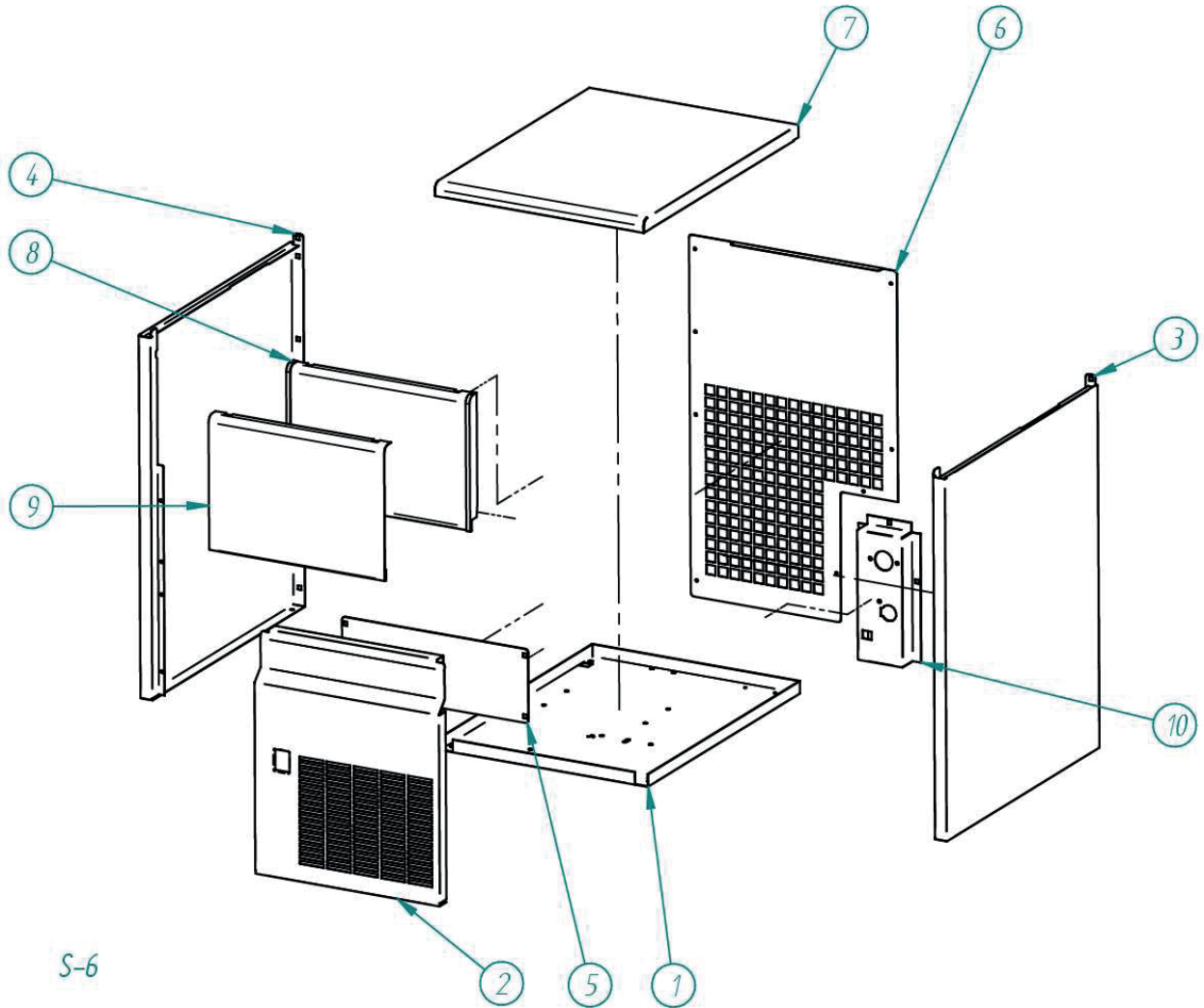


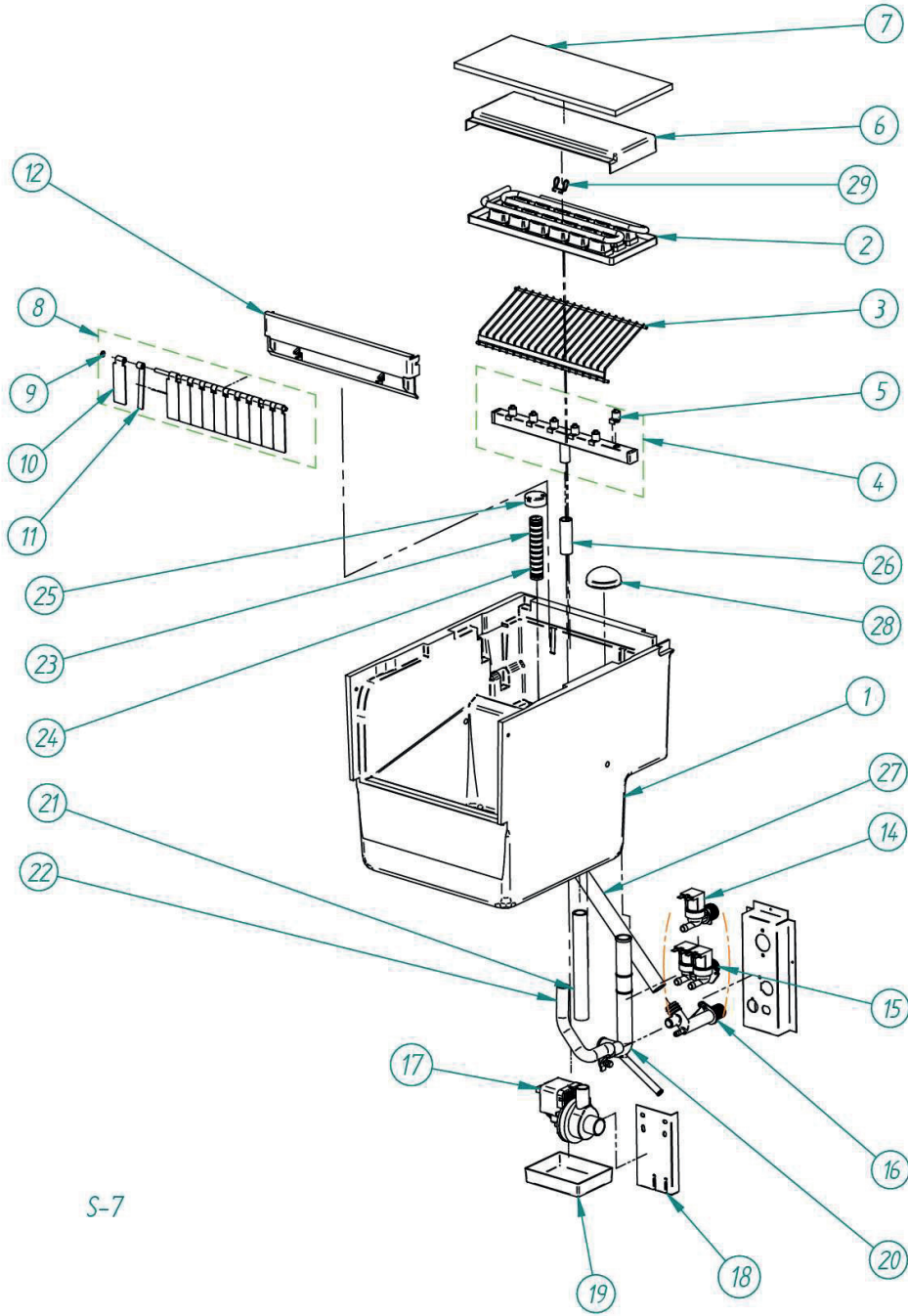
SS 25
2019_12



SS 25
2019_12

Pozice	Název	Kód
1	BASE	1300U
2	FRONT AND GRILL SS	4916
3	RIGHT PANEL	4914
4	LEFT PANEL	4915
5	FRONT SUPPORT	1327
6	REAR PANEL	1794
7	TOP PANEL	4917
8	DOOR	853
9	DOOR PANEL	4981
10	TUBE SUPPORT	1934

SS 25
2019_12

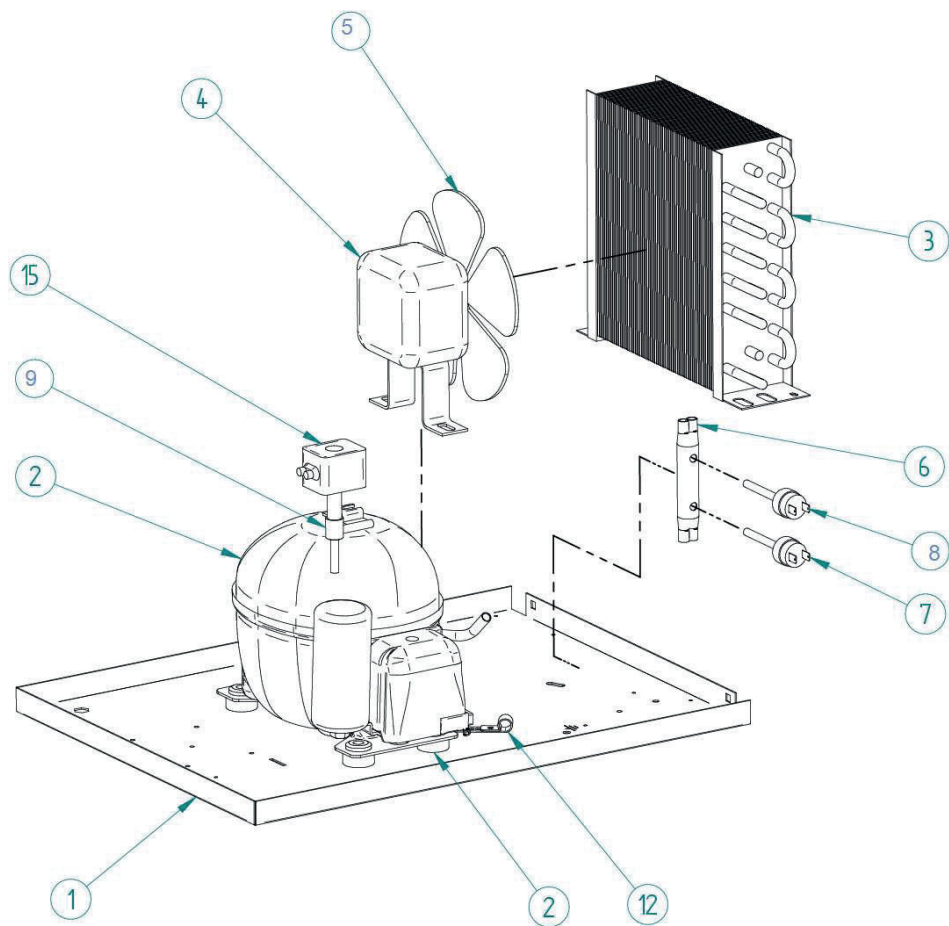


S-7

SS 25
2019_12

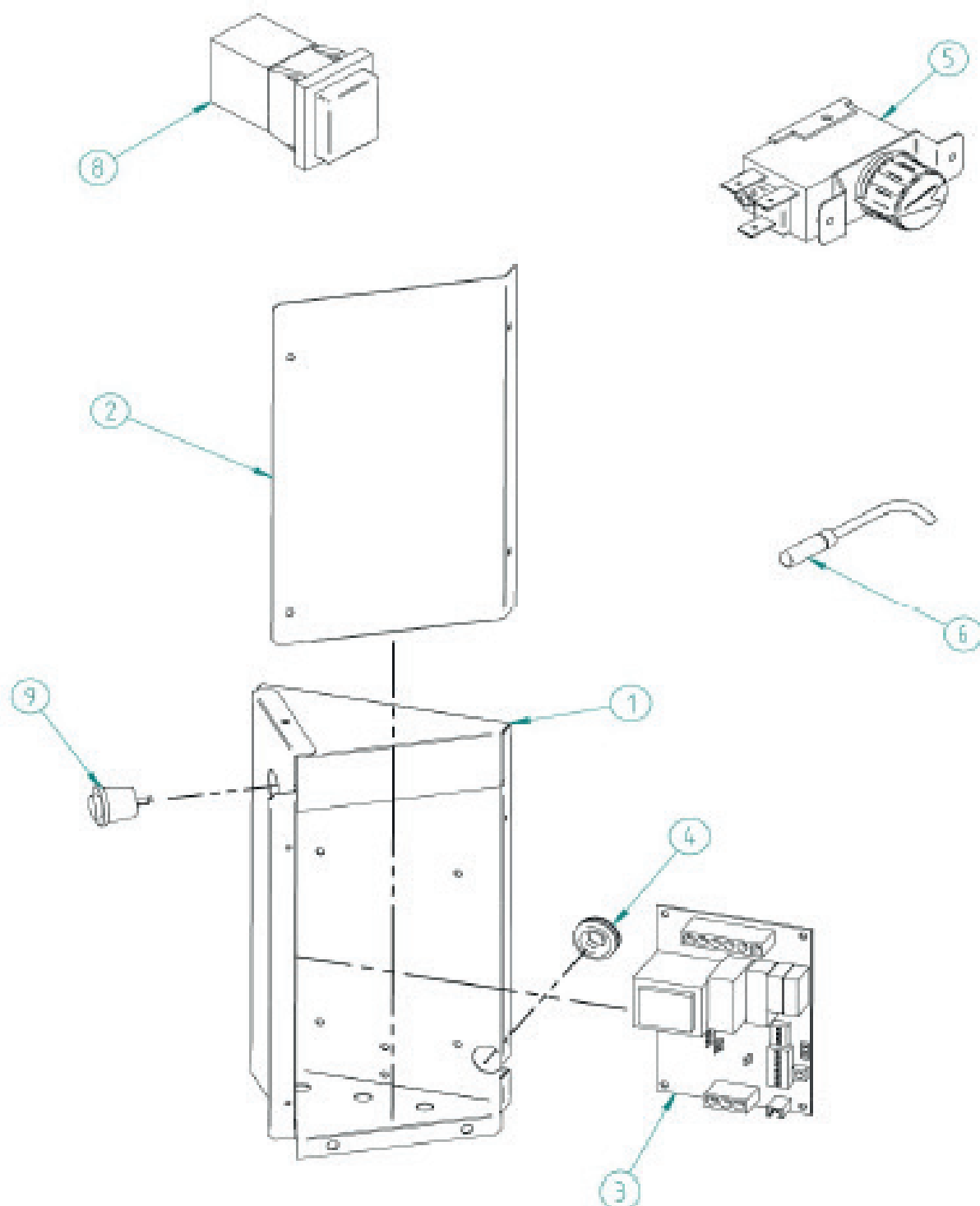
Pozice	Název	Kód
1	STOCK BIN	7503
2	EVAPORATOR	6921
3	EJECT CUBE GRILL	31114
4	COLLECTOR	7333
5	NOZZLE	526
6	EVAPORATOR COVER	1432
8	CURTAIN	5223
9	JOINT	107
10	EXTERIOR CURTAIN SLAT	1213
11	INTERIOR CURTAIN SLAT	1212
12	EVAPORATOR SUPPORT	1435
13	CLIP	3533
14	WATER INLET VALVE	6982
16	DRAIN COLLECTOR	363
17	WATER PUMP 220V/50HZ	4769
18	WATER PUMP SUPPORT	4613
19	CONDENSATION TRAY	4521
20	WATER INLET TUBE	4961
21	WATER OUTLET TUBE	4744
22	DRAIN	2189
23	OVERFLOW TUBE	4426
24	O-RING	4496
25	OVERFLOW COVER	4427
26	TUBE	993
27	DRAIN TUBE	2752
28	FILTER	580
29	THERMOSTAT CLIP	4534

SS 25
2019_12



SS 25
2019_12

Pozice	Název	Kód
1	BENCH	1300U
2	R290 COMPRESSOR	31301
3	AIR CONDENSER	6907
4	FAN MOTOR	2170
5	FAN BLADES	4887
6	PRESSURE SWITCH COLLECTOR	31444
7	HIGH PRESSURE SWITCH	31660
8	CONDENSATION PRESSURE SWITCH	31160
9	HOT GAS VALVE	6904
10	COIL	6906
11	CLAMP	3533

SS 25
2019_12

SS 25
2019_12

Pozice	Název	Kód
1	ELECTRIC BOX SUPPORT	31823
2	ELECTRIC BOX COVER	31571
3	ELECTRONIC BOARD	8143B
4	WIRE HOLE	8411
5	STOCK THERMOSTATR	31758
6	TEMPERATURE PROBE	31708
8	MAIN SWITCH	6597