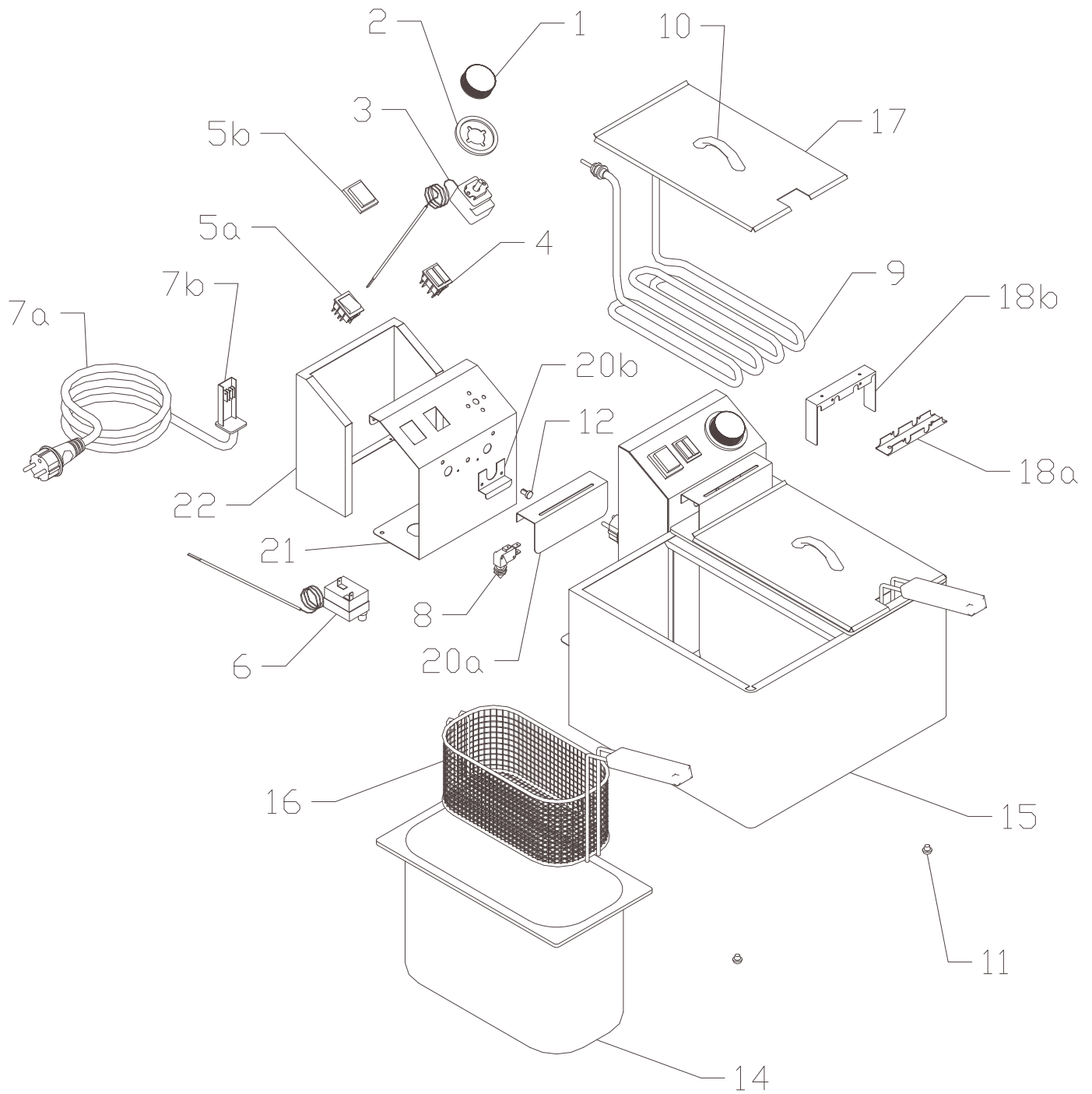




FE-44, FE-44S, FE-77  
od 10-2012





**FE-44, FE-44S, FE-77**  
**od 10-2012**

FE-44	
Pozice	Kód
1	402592000
2	402595000
3	402502000
4	401510000
5	401500530
6	402511000
7a	402010500
7b	402085500
8	401520000
9	401001000
10a	407801500
10b	407800100
11	407810100
12	408703100
13	-----
14a	500111500
14b	509000200
15	500109000
16	408000101
17	450101500
18a	450150000
18b	450147000
19	450146000
20a	450153000
20b	450151500
21	500104000
22	450101000

FE-44S	
Pozice	Kód
1	402592000
2	402595000
3	402502000
4	401510000
5	401500530
6	402511000
7a	402010500
7b	402085500
8	401520000
9	401002000
10a	407801500
10b	407800100
11	407810100
12	408703100
13	-----
14a	500111500
14b	509000200
15	500109000
16	408000101
17	450101500
18a	450150000
18b	450147000
19	450146000
20a	450153000
20b	450151500
21	500104000
22	450101000

FE-77	
Pozice	Kód
1	402592000
2	402595000
3	402502000
4	401510000
5	401500530
6	402511000
7a	402010500
7b	402085500
8	401520000
9	401002500
10a	407801500
10b	407800100
11	407810100
12	408703100
13	-----
14a	500111000
14b	509000200
15	500110500
16	408000501
17	450117000
18a	450150000
18b	450147000
19	450146000
20a	450153000
20b	450151500
21	500105500
22	450116500

# Exploded view

TABLE A: LABELS

MODEL	CODE	NOTE
VT	402594273	
TO - 940	402594234	Switch
TO - 940	402594235	Timer
TO - 960	402594234	Switch
TO - 960	402594235	Timer
TO - 920	402594233	Switch
TO - 920	402594235	Timer
TO - 930	402594233	Switch
TO - 930	402594235	Timer
VEC	402594241	
PM - LTF	402594244	
KD	402594243	
FP - 36	402594237	
FP - 66		
FP - 37		
FP - 67		
FT	402594247	
PD		
PM		
PS		
FP - 38		
FP - 68		
FE	402594272	
BM	402594236	
BMV		
HD		
WE		
WEV		
OTS		
UH		
BM-D	402594271	
SE		
CW		
GV		

