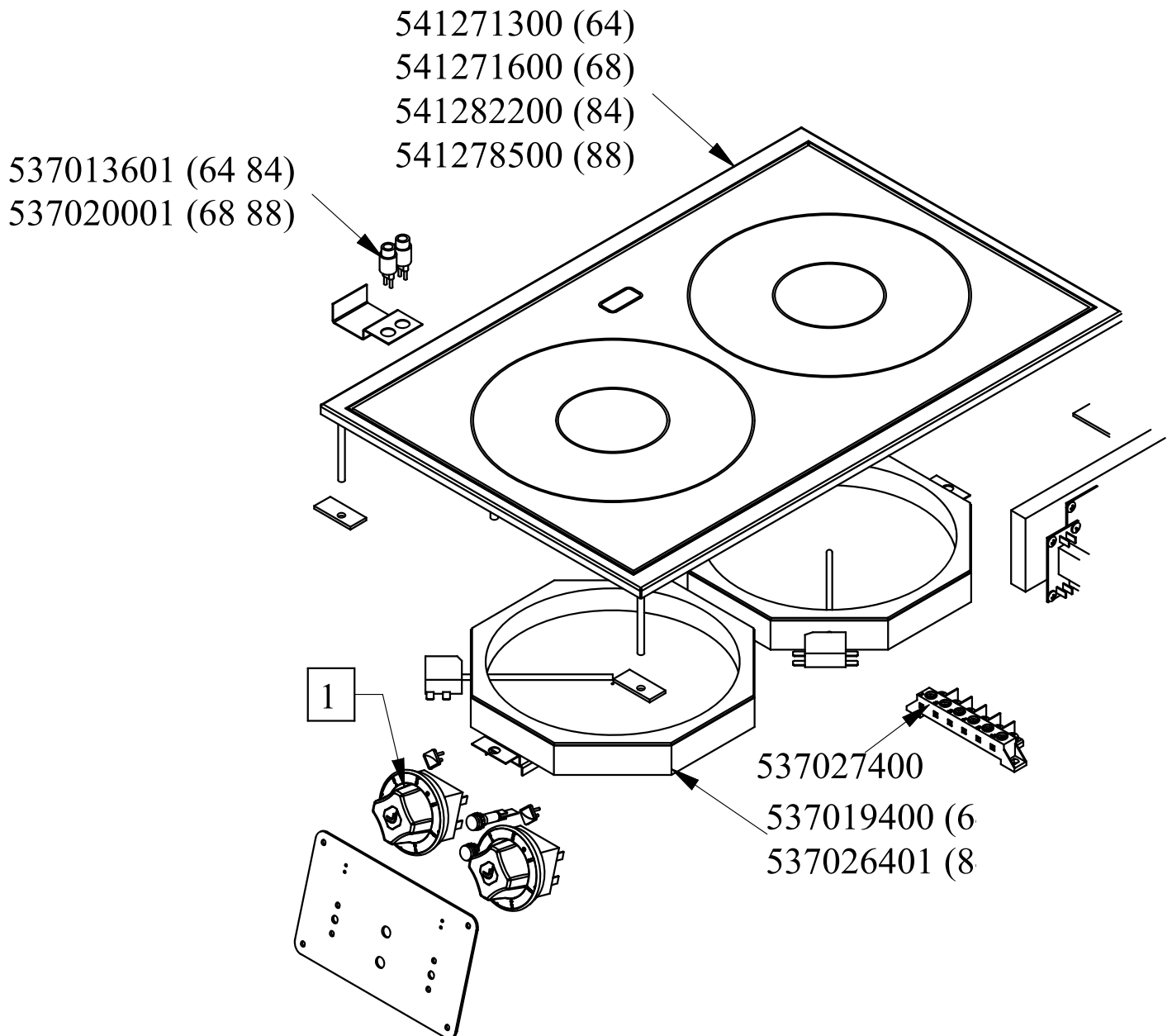


RM Drop In

Platný od 1.5. 2019

PCCD-64ET, PCCD-68ET, PCCD-84ET, PCCD-88ETD

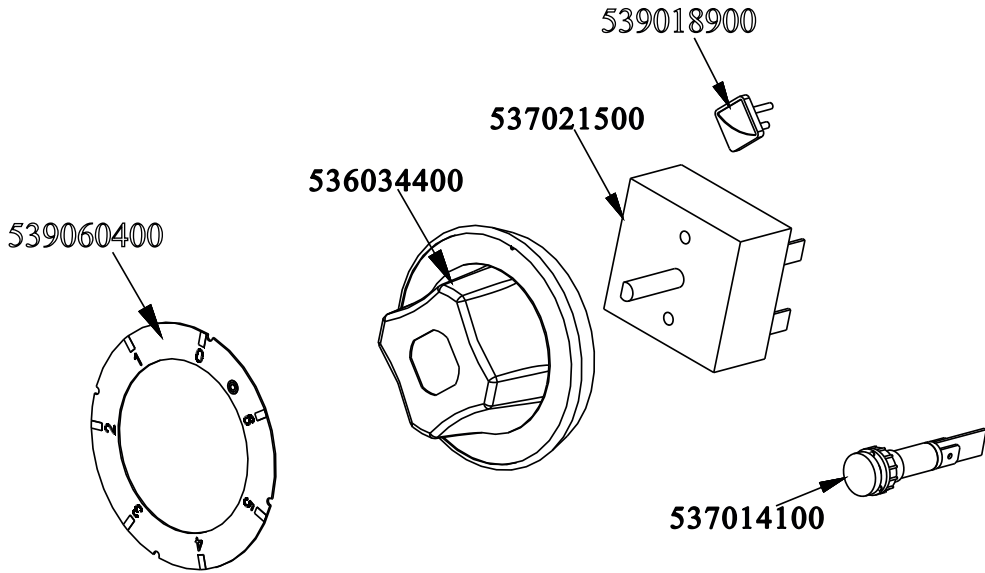


5600868

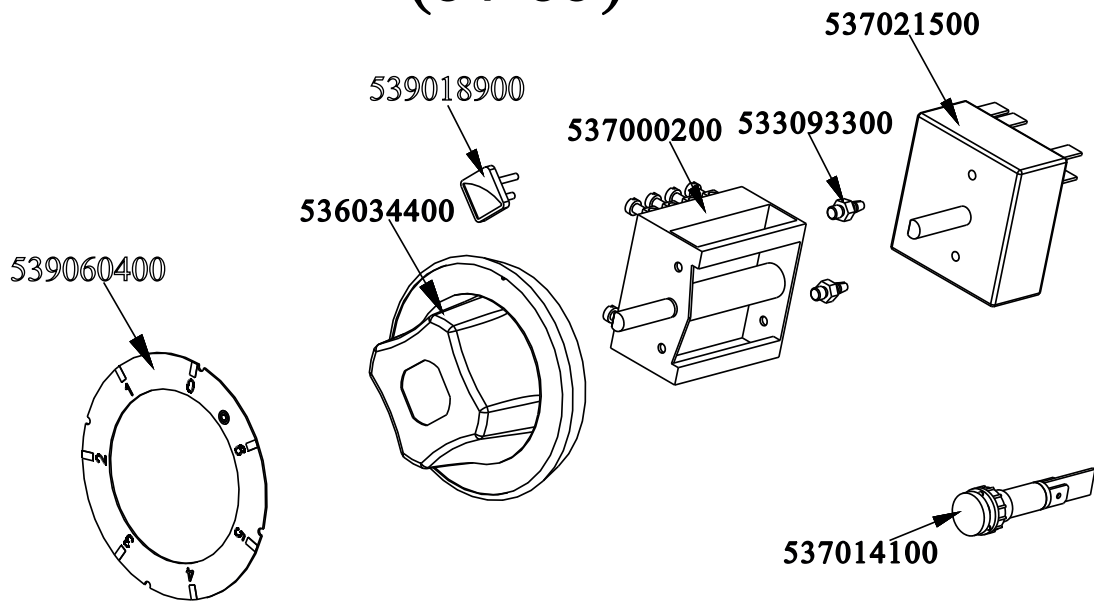


Objednačí kód	Popis v ENG
537027400	TERMINAL BLOCK THREEPHASE 40A
541271300	UPPER PLATE DROP IN PCD-64ET
537013601	REMAINING HEAT WARN.LIGHT W/CABLES
537019400	RADIATION HEATER Ø250 230V
-	-

# (64 68)



# (84 88)



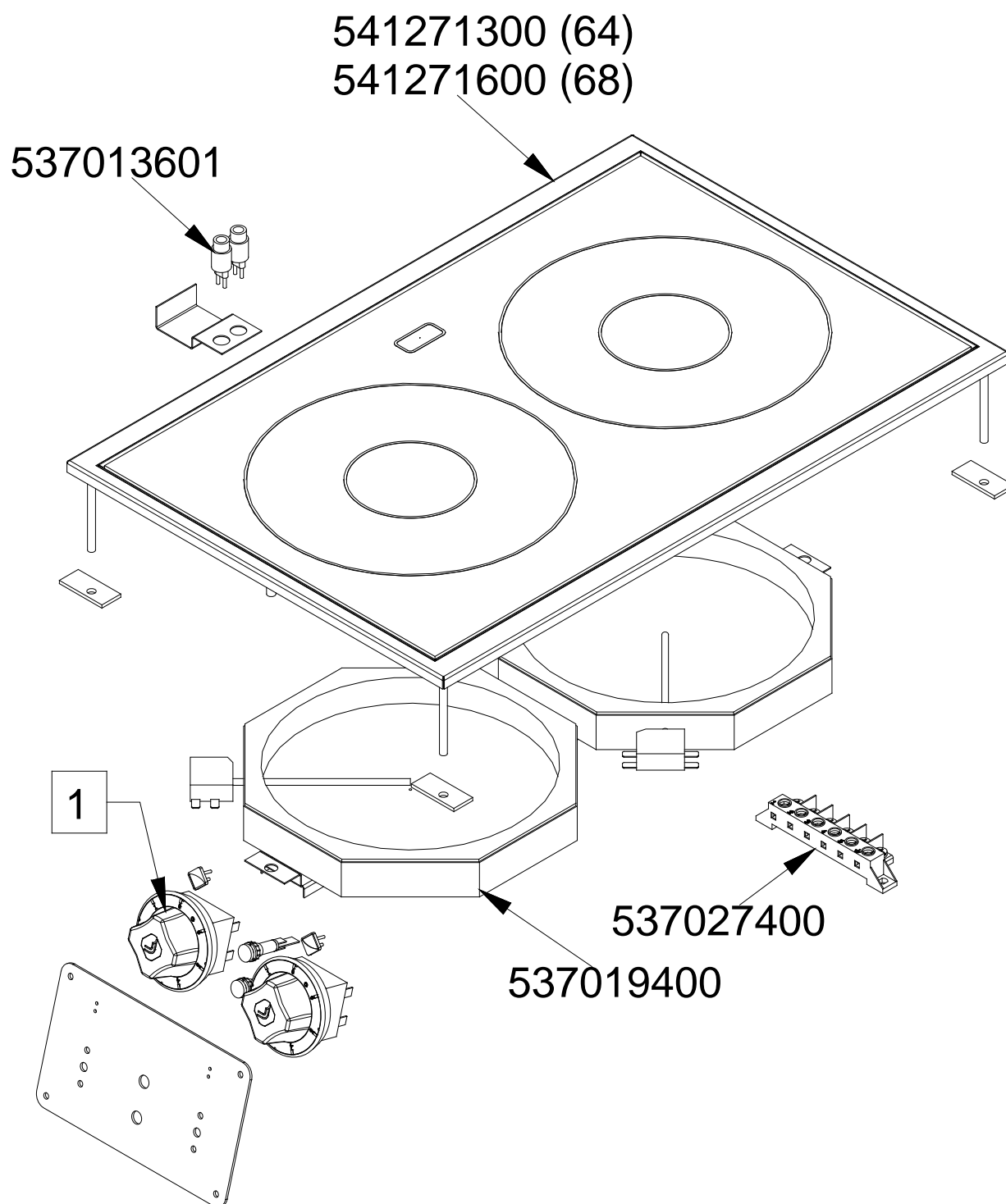
56010890 0M00P00



Objednačí kód	Popis v ENG
539018900	INDEX FOR KNOB W/RED SIGN
537021500	REGULATOR FOR EL.PLATE 2CIRC.230V
536034400	KNOB §77 4P. §06*4,6 C/M
539060400	RED ADESIVE DISK FOR PCC-E
537014100	WHITE WARNING LIGHT 250V
537021500	REGULATOR FOR EL.PLATE 2CIRC.230V
533093300	LOCKING PIN SWITCH S.43 THERMOST
537000200	COMMUTATOR 1 POS. 3PHASE S.49 16A
539018900	INDEX FOR KNOB RED SIGN
536034400	KNOB §77 4P. §06*4,6 C/M
539060400	RED ADESIVE DISK FOR PCC-E
537014100	WHITE WARNING LIGHT 250V



PCCD-64ET PCCD-68ET  
Platný od 1.5.2016  
do 30.4.2019



PCCD-E  
Platný od  
1.5.2016  
do 30.4.2019

