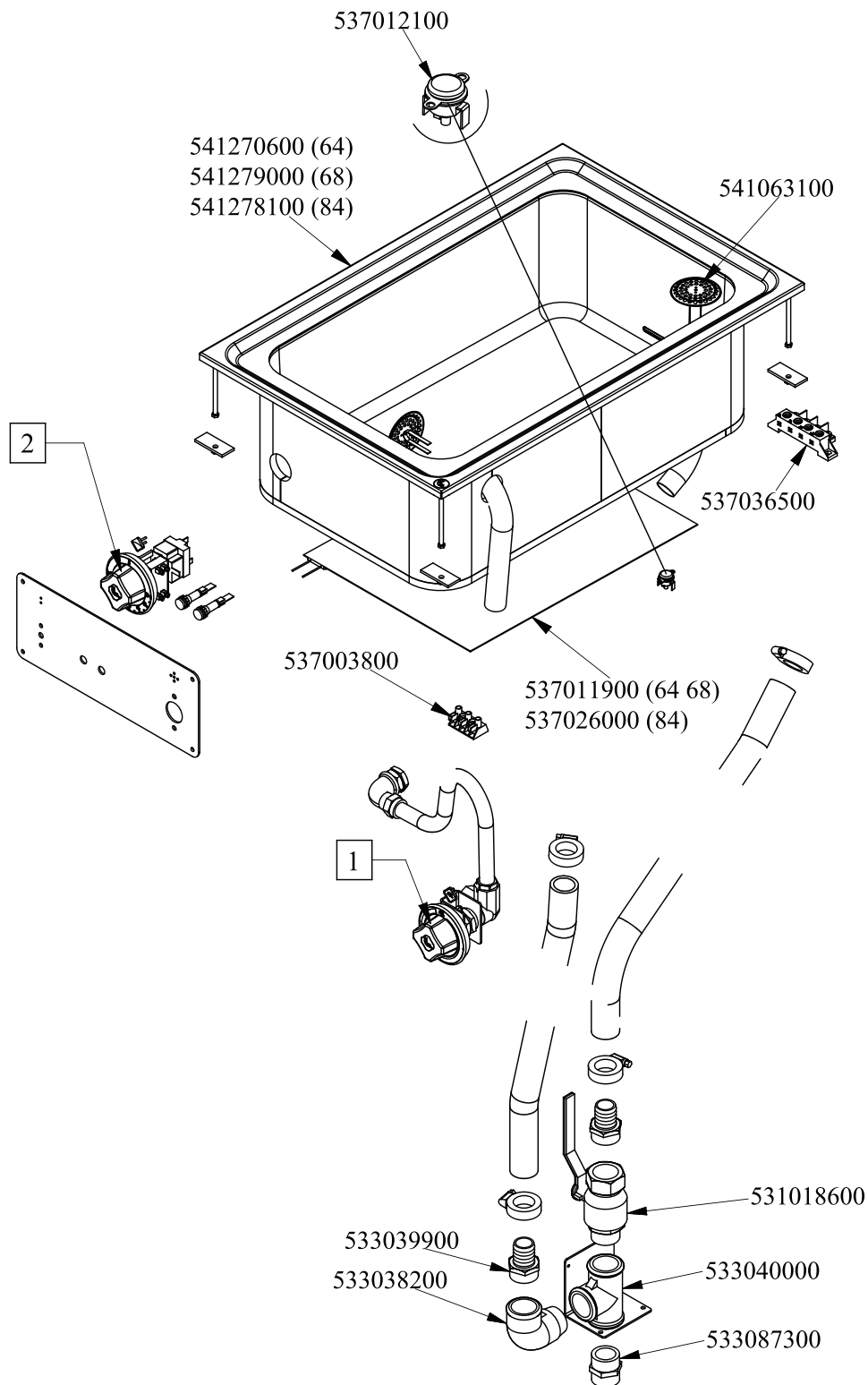


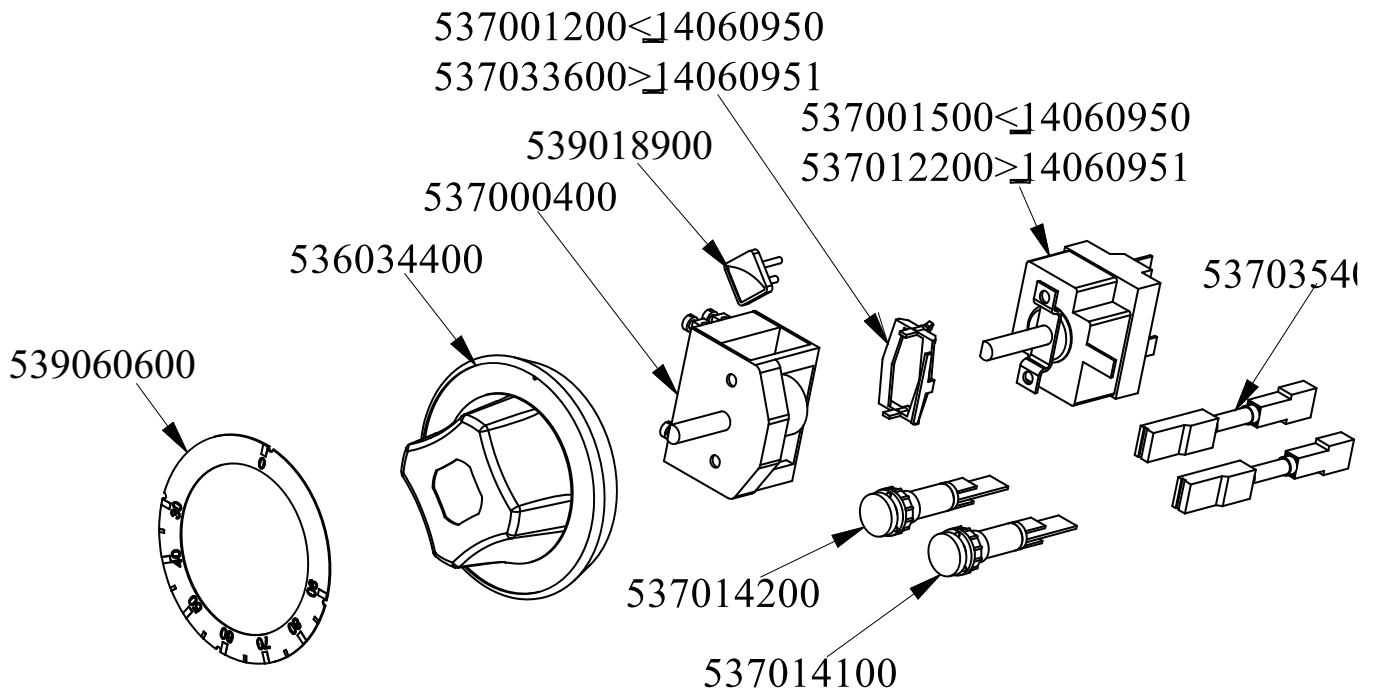
RM Drop In  
 Platný od 1.5. 2019  
 BMD-64EM, BMD-68EM, BMD-84EM



560085801M02P00



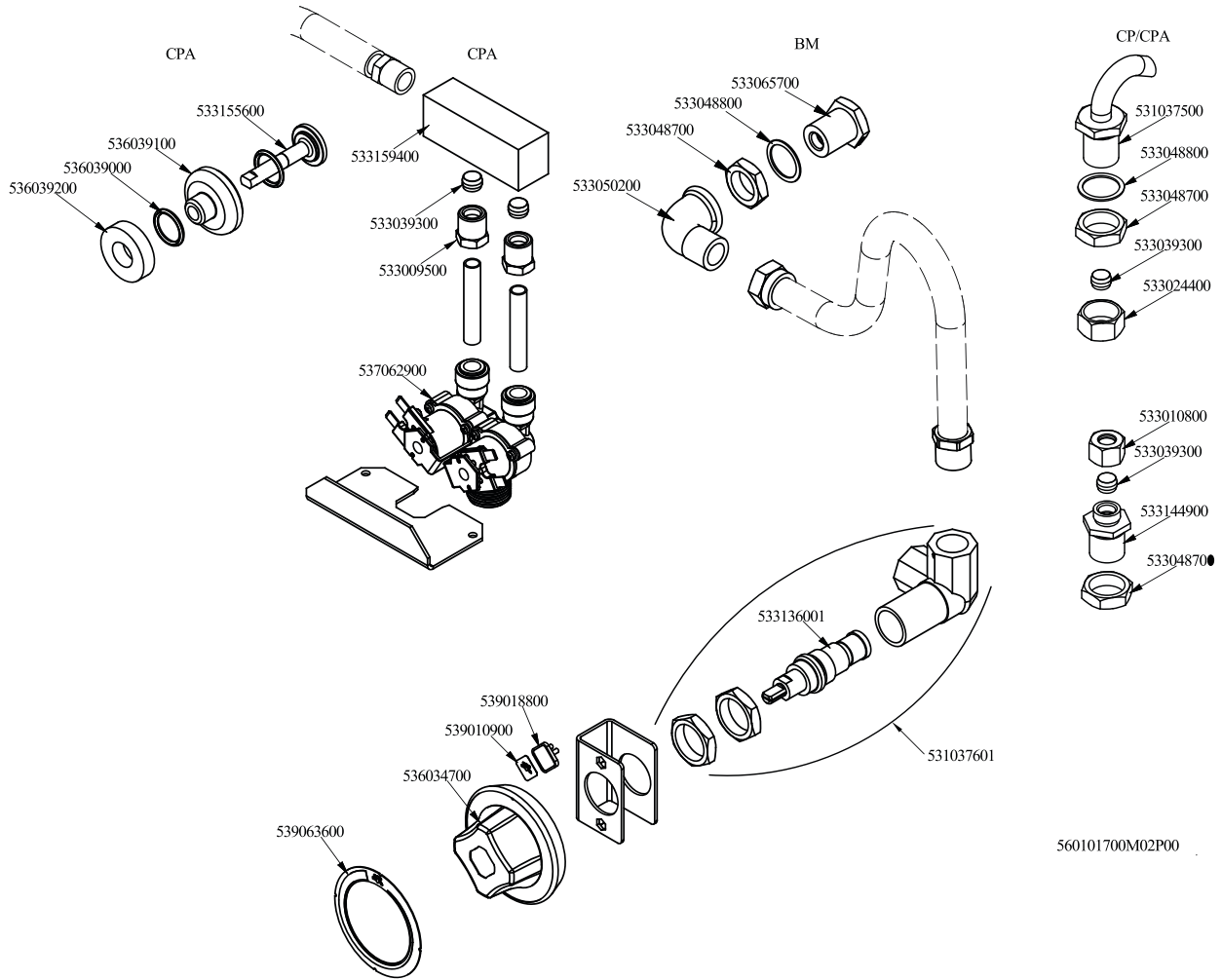
Objednací kód	Popis v ENG
533039900	PIPE HOLDER 1" G M D.24
533038200	1" G M-F ELBOW FITTING
531018600	BALL VALVE 1"G M-F CPM-62G
533040000	1"G F-F-F "T" FITTING
533087300	HEXAGONAL BICONE 1G
537012100	SECURITY THERMOSTAT SINGLEP.165°C
541063100	TANK DRAIN FILTER BS-4EM/CPM
537036500	TERMINAL BLOCK 4POLES 40A SCREW-SCR
537003800	TERMINAL BLOCK 3POLES 16A
537011900	HEATING ELEMENT W1100 V230 ICE-FOIL
541270600	UPPER PLATE DROP IN BMD-64ET
-	-
-	-



560100000M02P00



Objednací kód	Popis v ENG
539060600	RED STICKING DISK 72 (030,090°)
536034400	KNOB §77 4P. §06*4,6 C/M
537000400	COMMUTATOR 1POS.SINGLEPHASE S49 16A
539018900	INDEX FOR KNOB RED SIGN
537014200	GREEN WARNING LIGHT 250V
537014100	WHITE WARNING LIGHT 250V
537001200	FIXING BRACKET FOR THERMOSTAT/COMM.
537033600	FIXING BRACKET FOR THERMOSTAT/COMM.
537001500	THERMOSTAT 30-90°C SINGLEPHASE
537012200	THERMOSTAT 30/110°C SINGLEPHASE
537035400	HEATING ELEMENT 00003W 330KOHM W/F



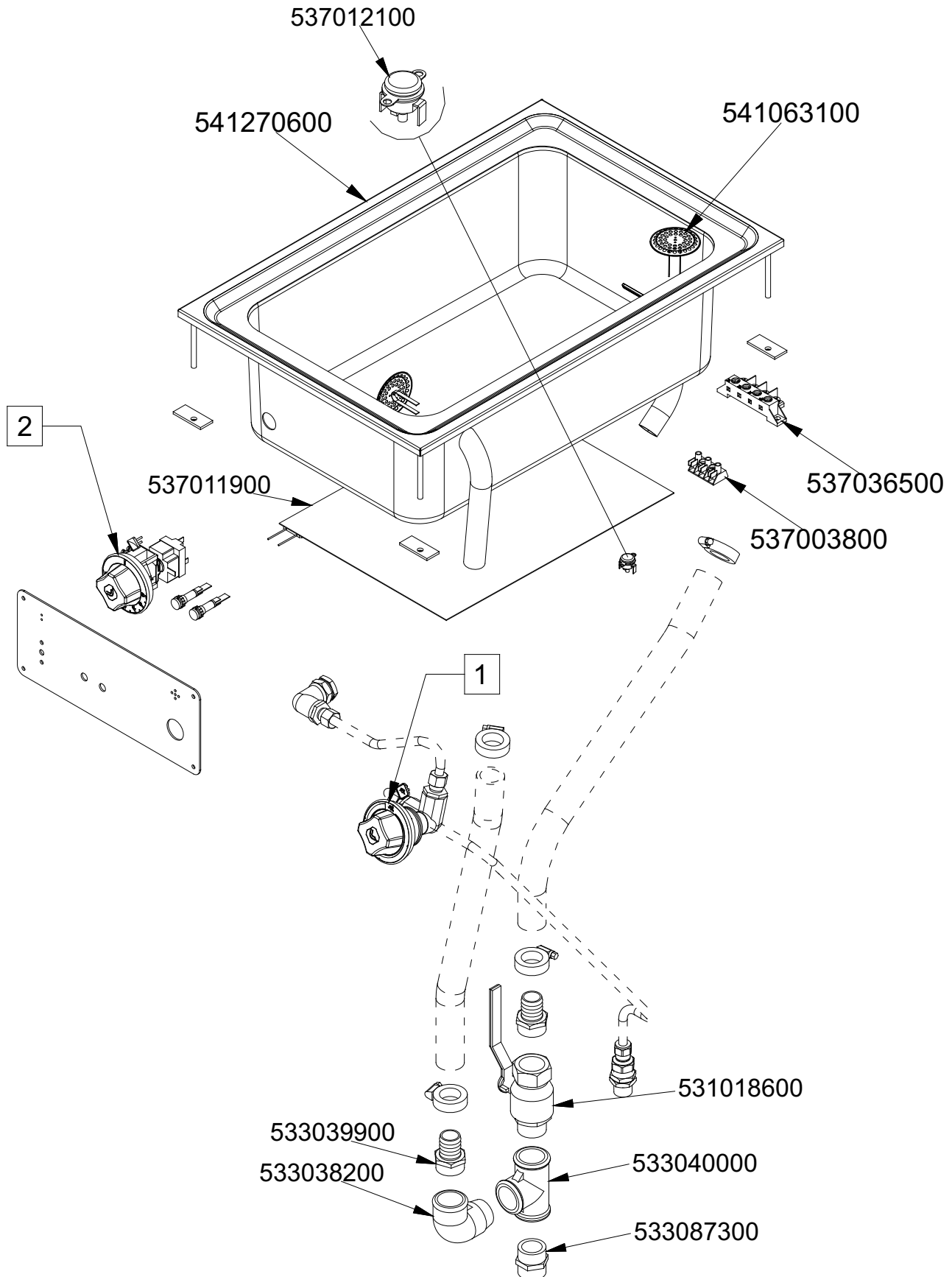
560101700M02P00



Objednací kód	Popis v ENG
531037601	TAP FOR WATER 90°DX CP
531037500	PROCESSING CODE
533048800	GASKET §30*§21*2 FIBRE
533048700	NUT 1/2G ZN
533039300	BICONE §10
533024400	HEXAGONAL NUT 1/2G TUBE D.10
533048700	NUT 1/2G ZN
533048800	GASKET §30*§21*2 FIBRE
533065700	FITTING FOR WATER INPUT 1/2G
539063600	ADHESIVE DISK 72 FOR DRAIN COCK
536034700	KNOB §77 4P. §08*6,5 F§30
539010900	ADHESIVE LABEL FOR DRAIN COCK
539018800	BLANK INDEX FOR KNOB
533136001	SCREW TAP WATER LOAD FOR CP S70/90
533050200	90° 1/2 M/F ELBOW FITTING
533010800	TUBE NUT D.10 M16*1,5
533039300	BICONE §10
533144900	MALE FITTING WATER INLET M16X1,5
533048700	NUT 1/2G ZN
537062900	ELECTRO-VALVE 3/4GM-2Ø10JG 230V RPV
533009500	NIPPLE FOR BICONE 10S
533039300	BICONE §10
533159400	
536039000	GASKET O-RING 12,42X1,78 SILIC.
536039100	GUIDE FOR WATER SENSOR
533155600	PIVOT SENSOR FOR WATER
536039200	SPACER FOR WATER SENSOR



**BMD-64EM**  
**Platnost**  
**1.5.2016 do**  
**30.4.2019**





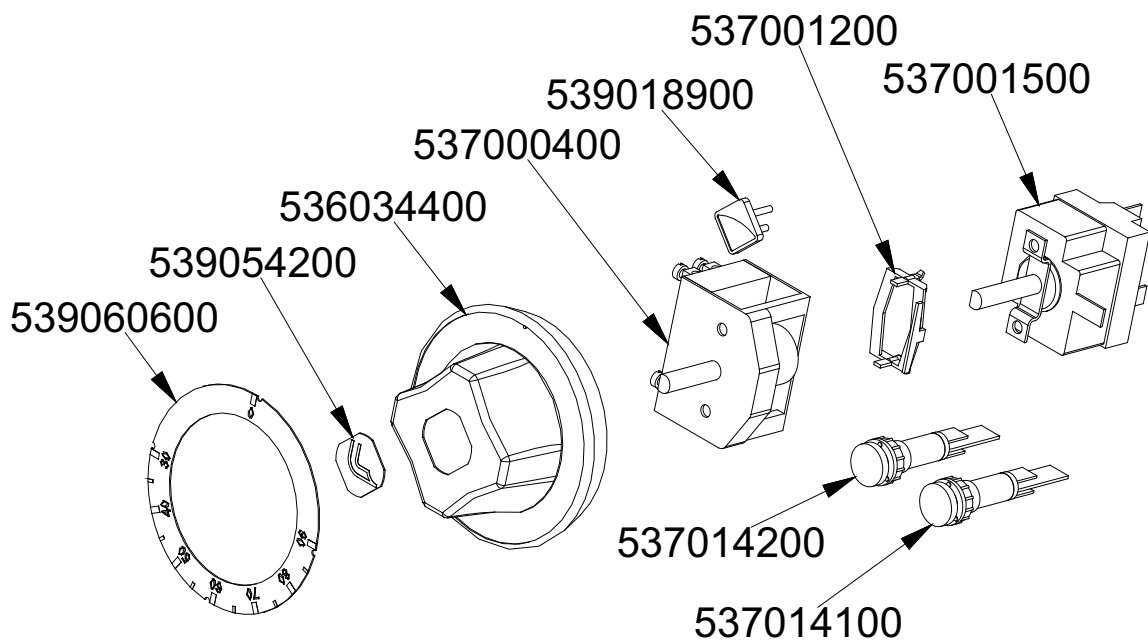
**BMD-64EM**

**„2“**

**Platnost**

**1.5.2016 do**

**30.4.2019**





**BMD-64EM**

„1“

**Platnost**

**1.5.2016 do**

**30.4.2019**

