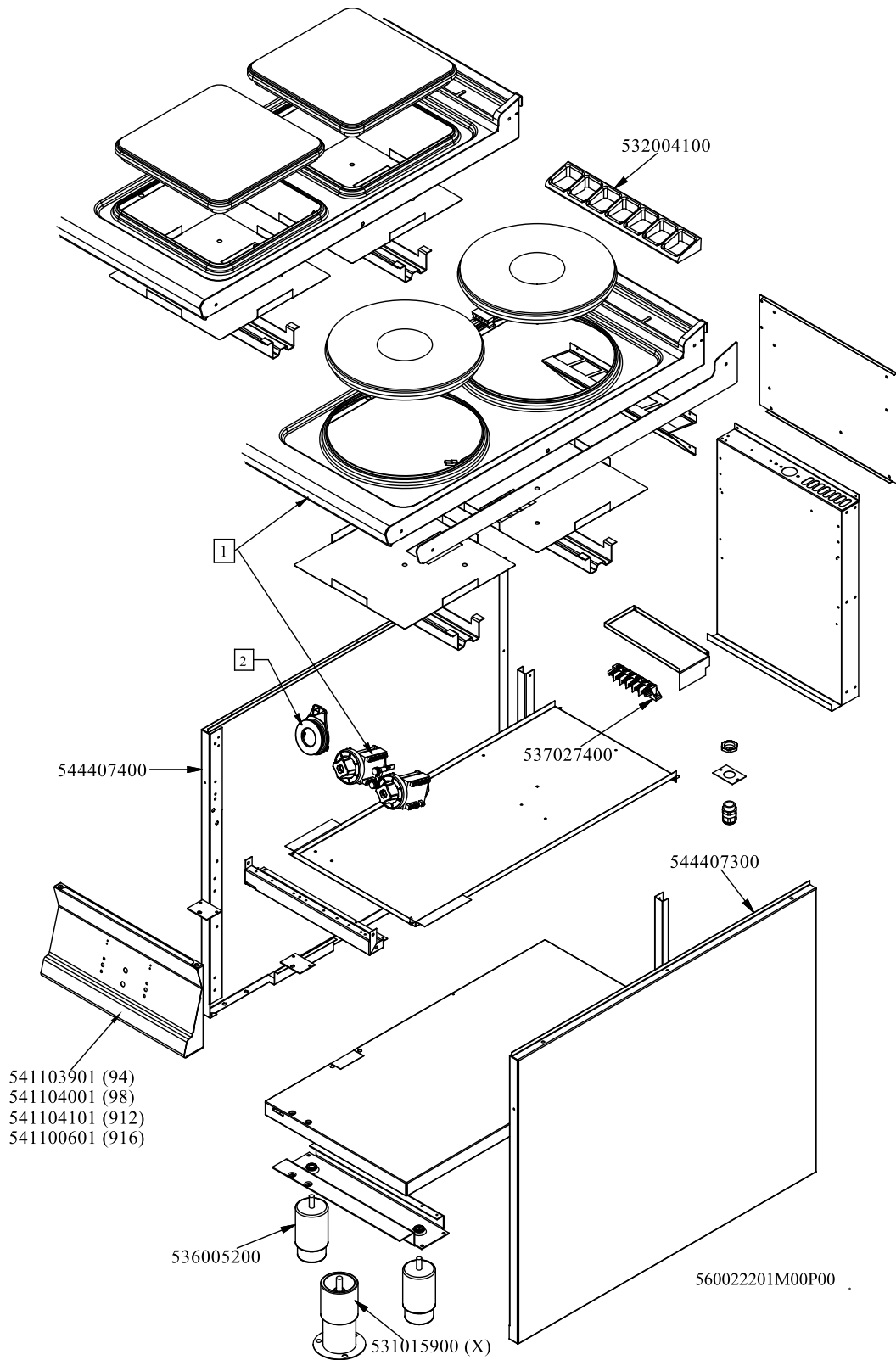


RM 900

Platný od 1.5. 2019

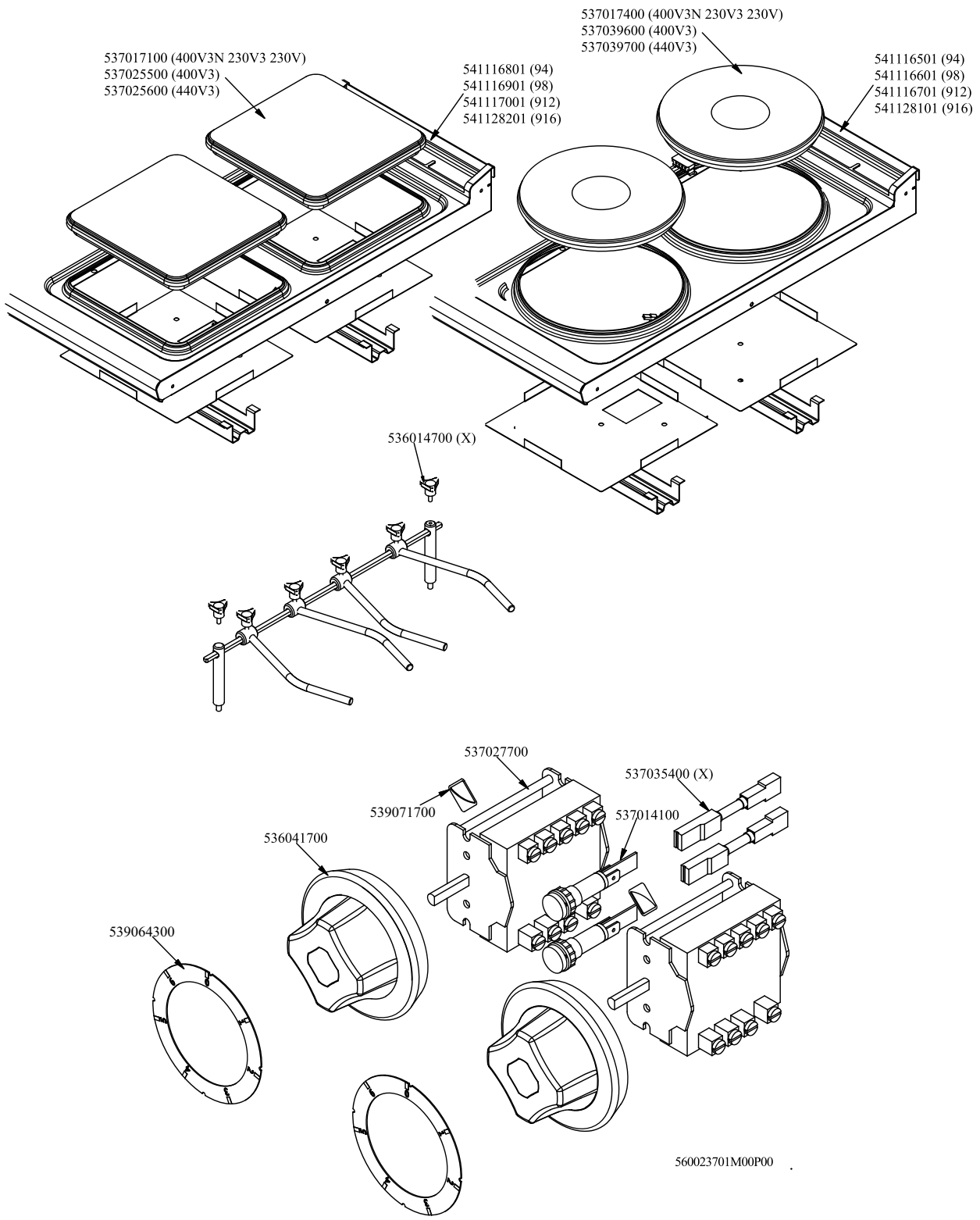
PC-94ET, PC-98ET, PC-912ET, PC-916ET

PCQ-94ET, PCQ-98ET, PCQ-912ET, PCQ-916ET



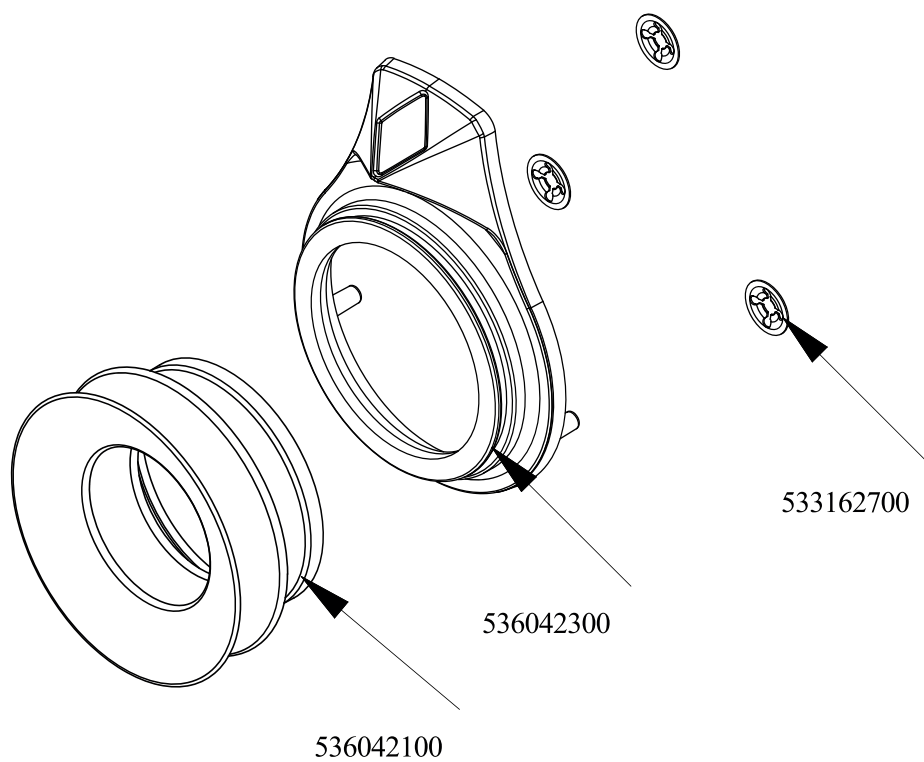


Objednací kód	Popis v ENG
541104101	
544407400	LEFT SIDE PANEL 70 LINE
537027400	TERMINAL BLOCK THREEPHASE 40A
544407300	RIGHT SIDE PANEL 90 LINE
532004100	FLUE GRID L=370 90LINE (RAF)
536005200	INOX LEG 2" 120-180 M10
-	-
-	-





Objednačí kód	Popis v ENG
539071700	ADHES.LABEL FOR RING GREEN SIGN.
537014100	WHITE WARNING LIGHT 250V
537035400	HEATING ELEMENT 00003W 330KOHM W/F
537027700	COMMUTATOR 7 POSITIONS S.43 32A
536041700	SILVER CHROM. KNOB Ø77 4P.G.Ø06X4,6
539064300	BLACK ADESIVE DISK FOR PC-E
536014700	3 DRILL WHEELS
537017100	PLATE 300X300 W4000 V230
537025500	PLATE 300X300 W4000 V400
537025600	PLATE 300X300 W4000 V440
537017400	ELECTRICAL PLATE D.300 W3500 V230
537039600	ELECTRICAL PLATE D.300 W3500 V400
537039700	ELECTRICAL PLATE D.300 W3500 V440
541116501	
541116601	
541116701	
541128101	
541116801	
541116901	
541117001	
541128201	



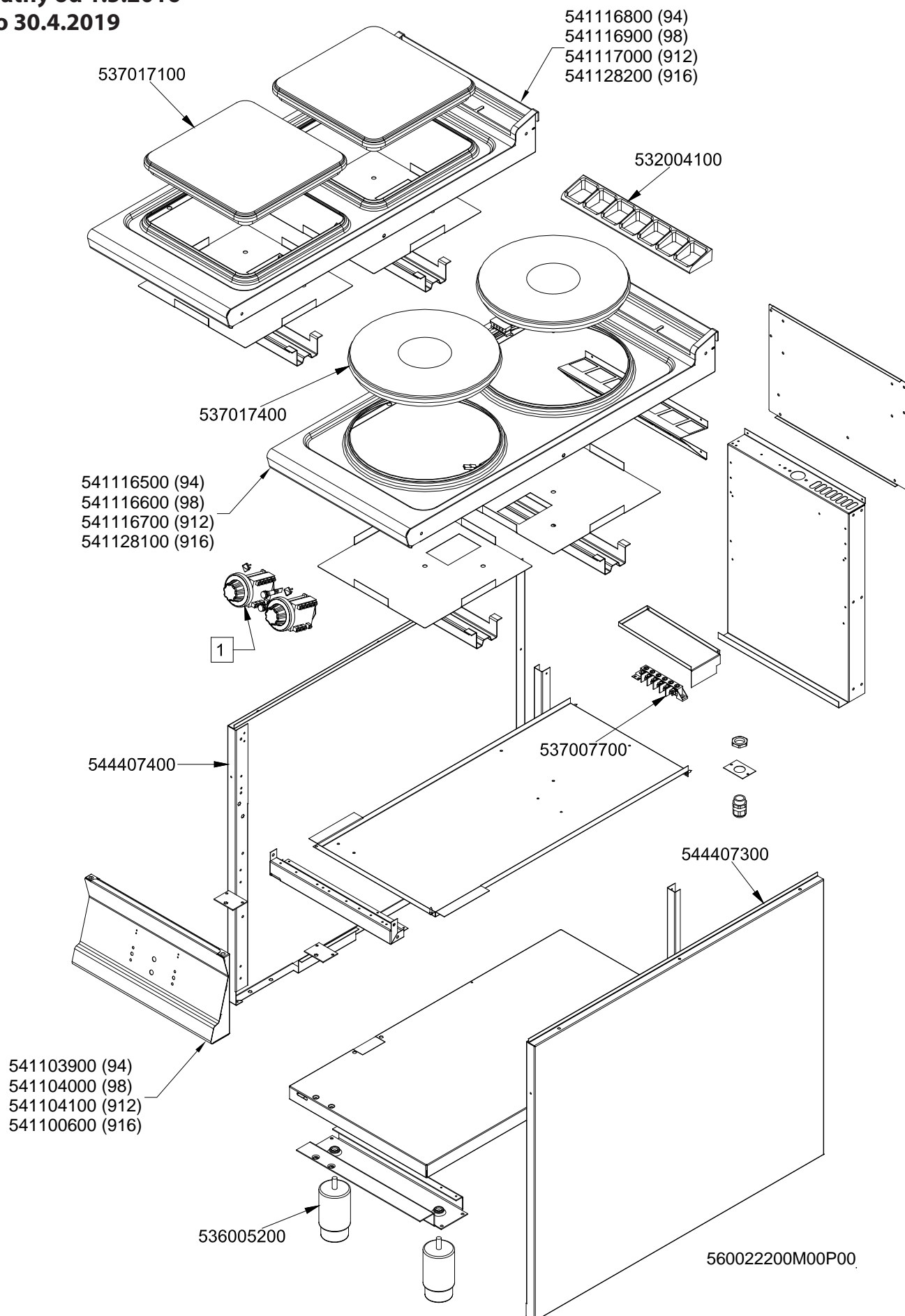
560125700M00P00



Objednačí kód	Popis v ENG
536042300	SILVER CHROM. RING FOR KNOB Ø77 4 P
536042100	SEAL CASING FOR KNOB Ø77 4 P
533162700	PROCESSING CODE



PC - 94 ET, PC - 98 ET, PC - 912 ET, PC - 916 ET, PCQ - 94 ET,
 PCQ - 98 ET, PCQ - 912 ET, PCQ - 916 ET
 Platný od 1.5.2016
 do 30.4.2019

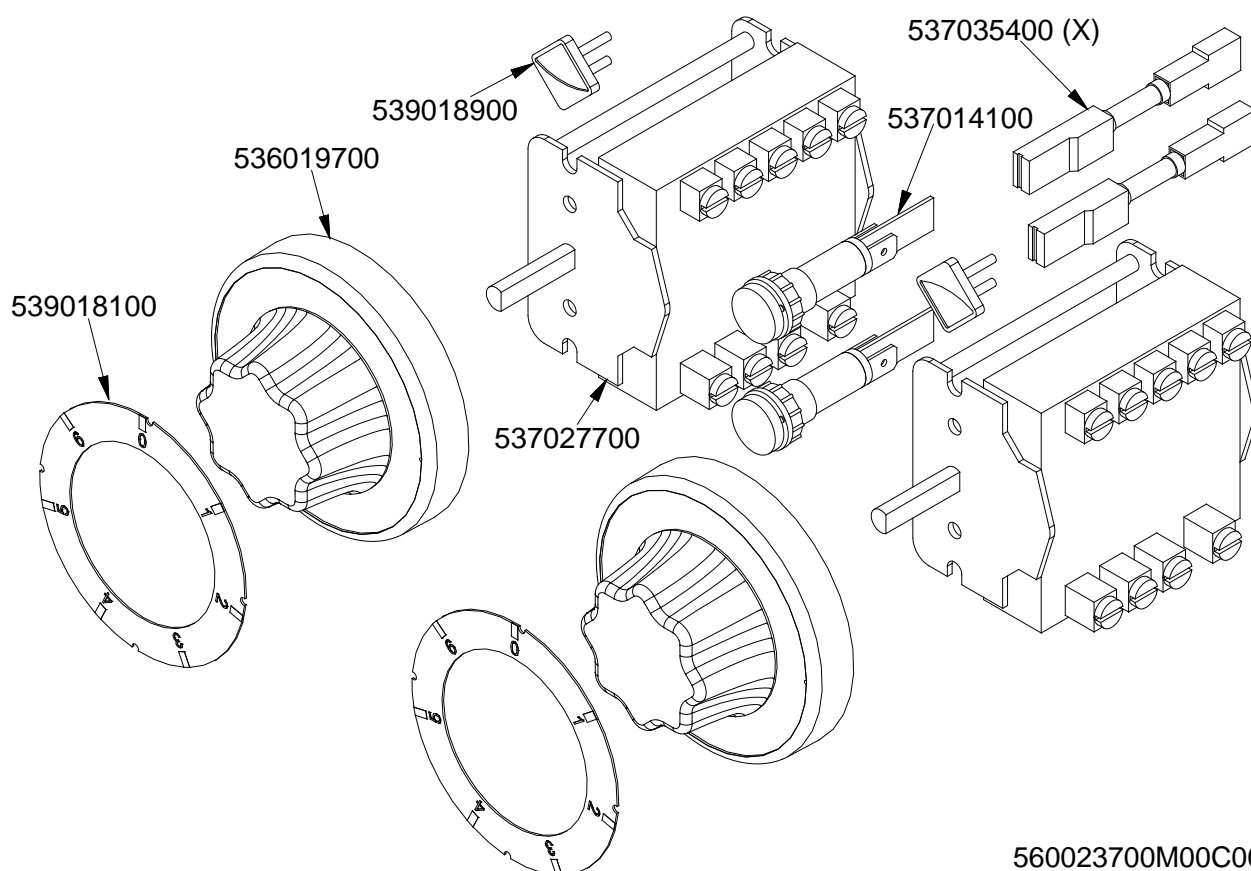


PC - 94 ET, PC - 98 ET, PC - 912 ET, PC - 916 ET,
PCQ - 94 ET, PCQ - 98 ET, PCQ - 912 ET, PCQ - 916 ET

(1)

Platný od 1.5.2016

do 30.4.2019



560023700M00C00