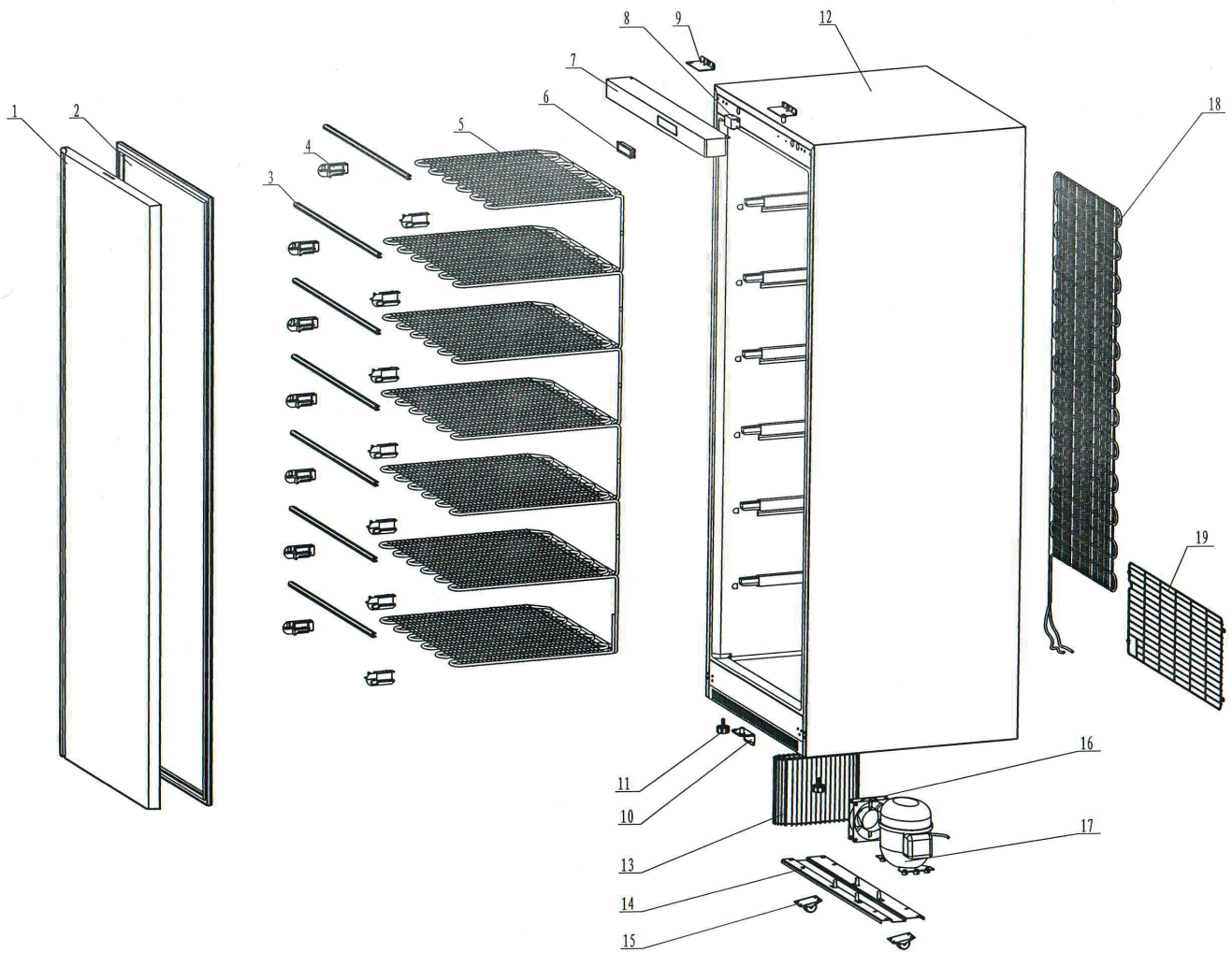


DF 600
2020_01



DF 600
2020_01

Pozice	Název	Kód
1	foaming door	DR60.01.201
2	door gasket	DR60.02
3	evaporator fixing trip	DF200.01
4	evaporator fixing end	DF200.02
5	evaporator	DF600.01
6	controller	GN1100TN.29. DF200
7	front panel	DR60.05
8	Drive voltage	DF60.02
9	top hinge	DR200.08
10	bottom hinge	DR200.09
11	feet	S900 STD.38
12	foaming body	DF600.07.201
13	Coil type condenser	DR200.17
14	BOARD OF CONDENSER UNIT	DR60.06
15	small caster	
16	CONDENSER FAN	DR200.18
17	COMPRESSOR EMT65HLR	EM2X3125U
18	Wire tube condenser	DR60.08
19	MOTER UNIT BACK NET	DR60.09