



**RM GASTRO S.R.O. Nachodská
818/16
193 00 Prague 9
Czech Republic**

**SPARE PARTS CATALOGUE
ERSATZTEILKATALOG
CATALOGUE PIECES DETACHEES
CATALOGO PARTI RICAMBIO
CATALOGO DE PIEZAS DE RECAMBIO
CATALOGO PECAS, DE REPOSICAO**

Catalogo parti di ricambio valido
dalla matricola 4360353 ad oggi (25/08/2020)

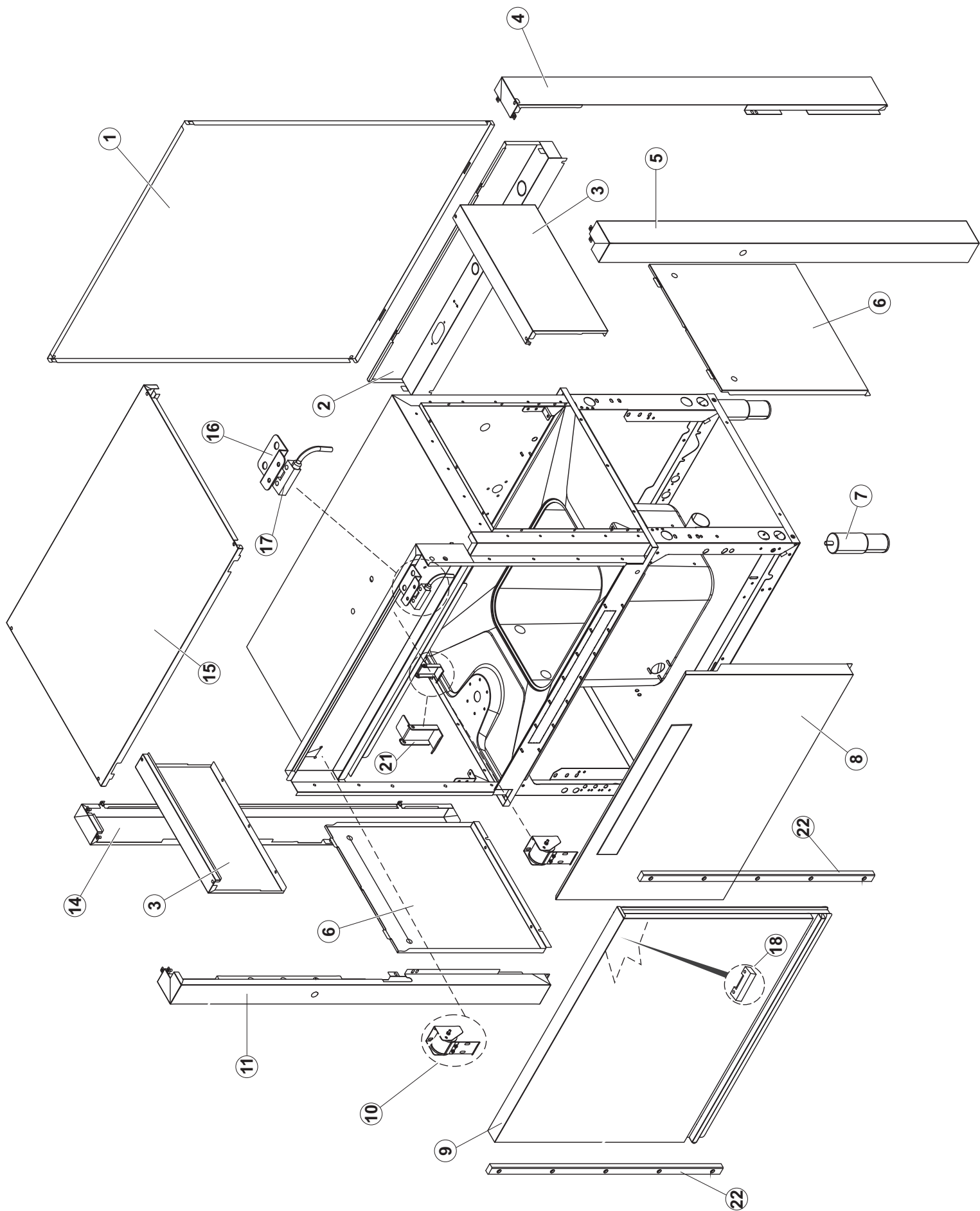
Catalogue pieces detachees
du numero de Série n. 4360353 jusqu'à aujourd'hui (25/08/2020)

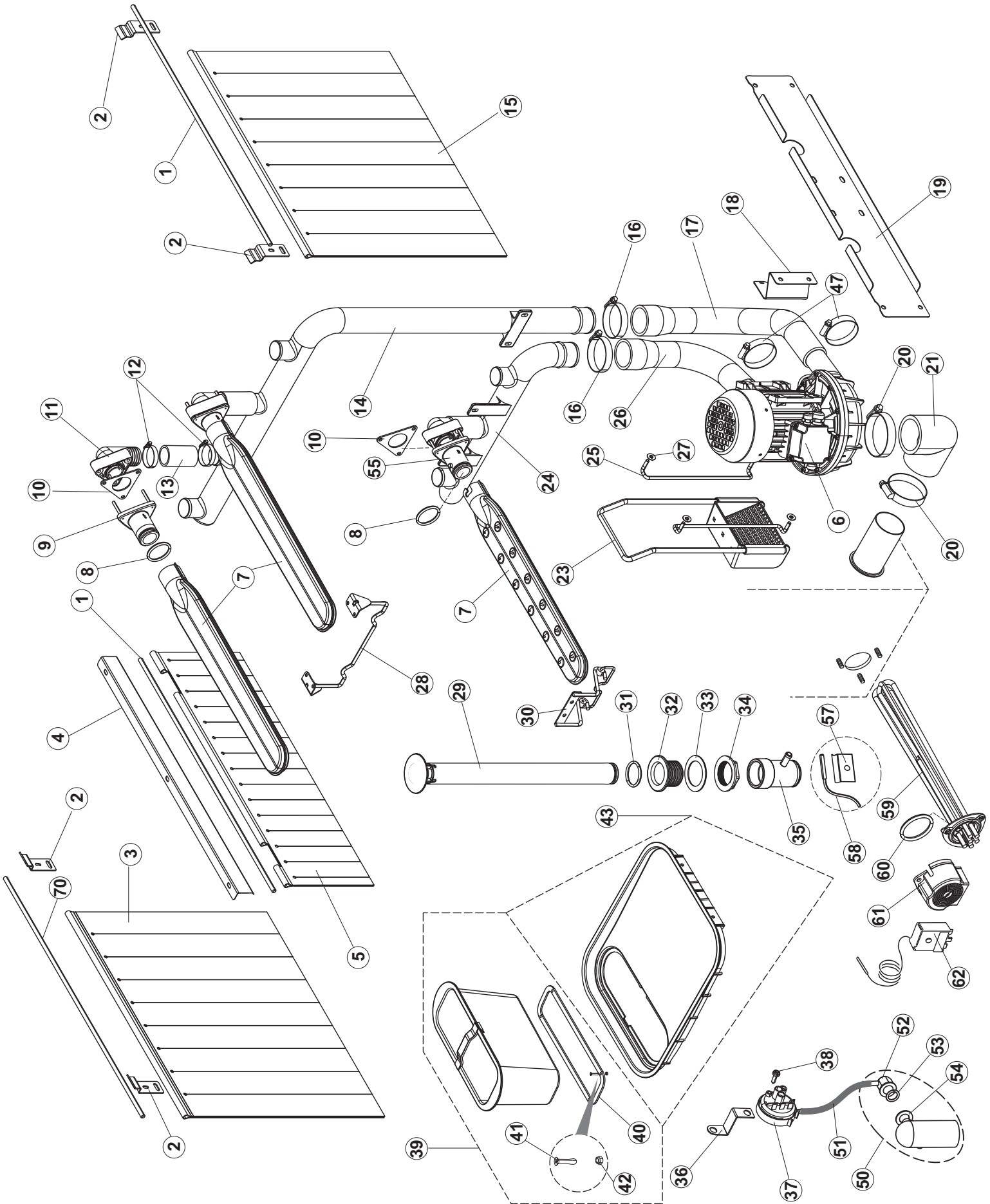
Ersatzteilkatalog
gültig ab Serien-Nr. 4360353 bis heute (25/08/2020)

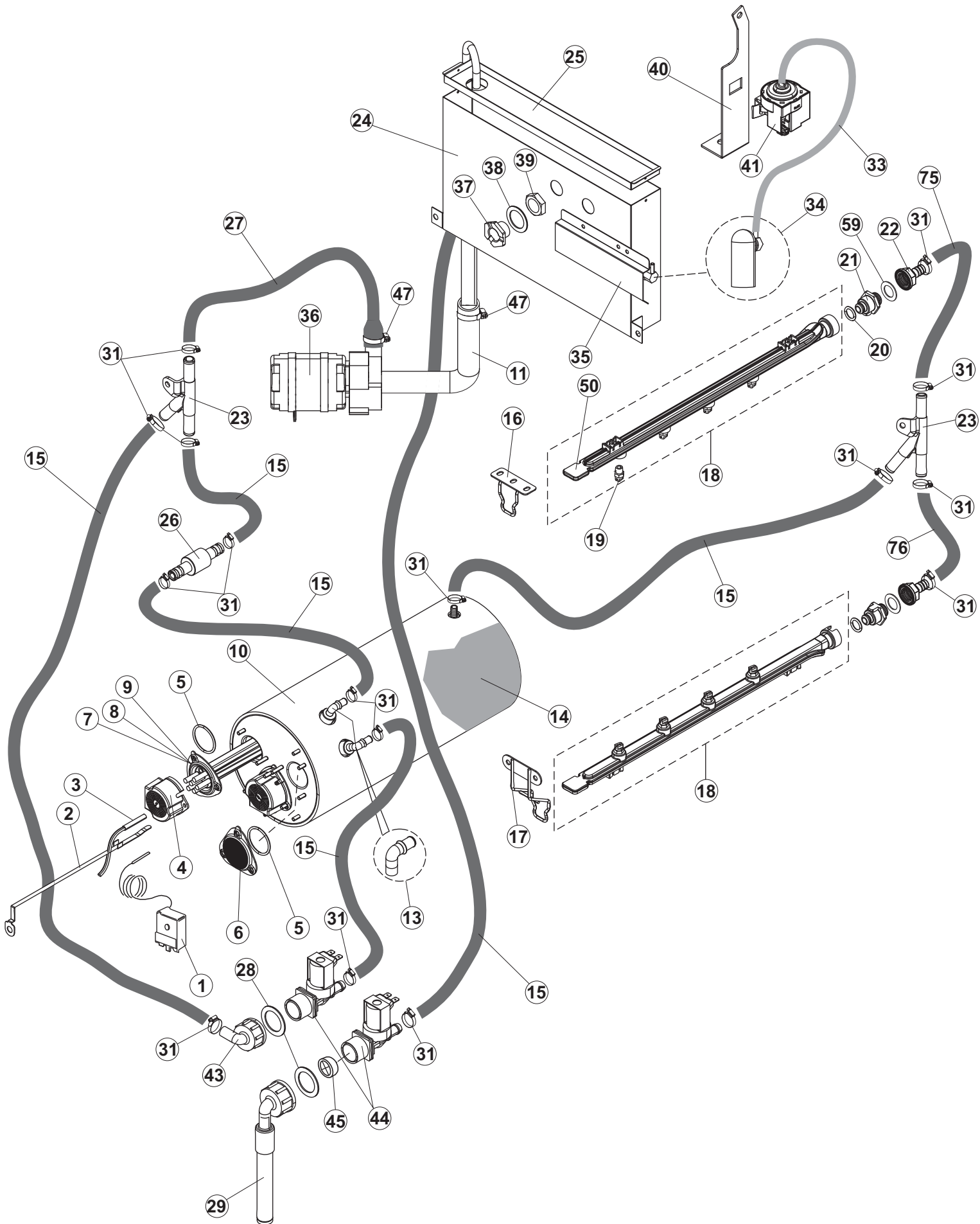
Spare parts catalogue
valid from serial no. 4360353 up today (25/08/2020)

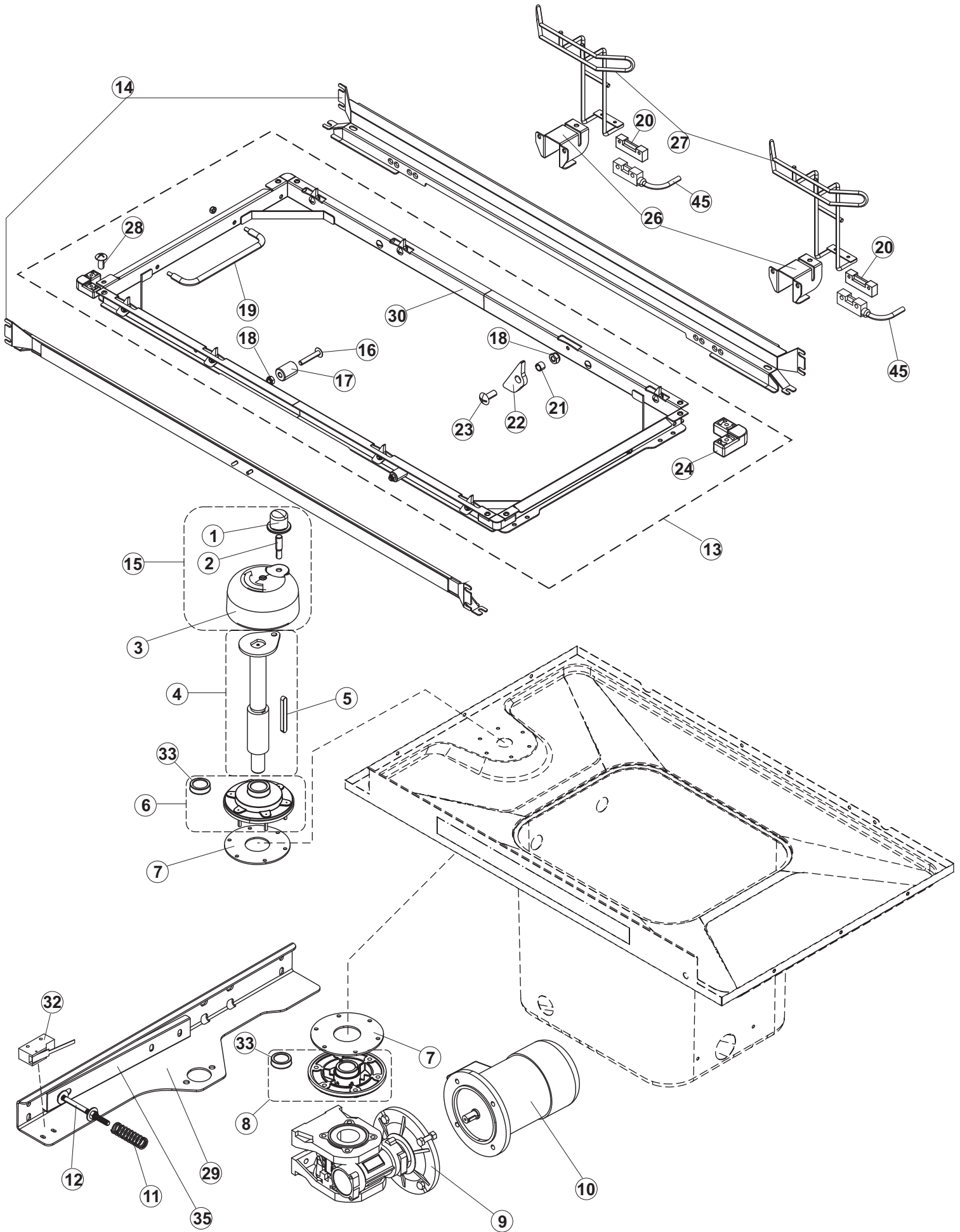
Catálogo de peças de reposição
válido do número de série 4360353 até hoje (25/08/2020)

CT270ABT

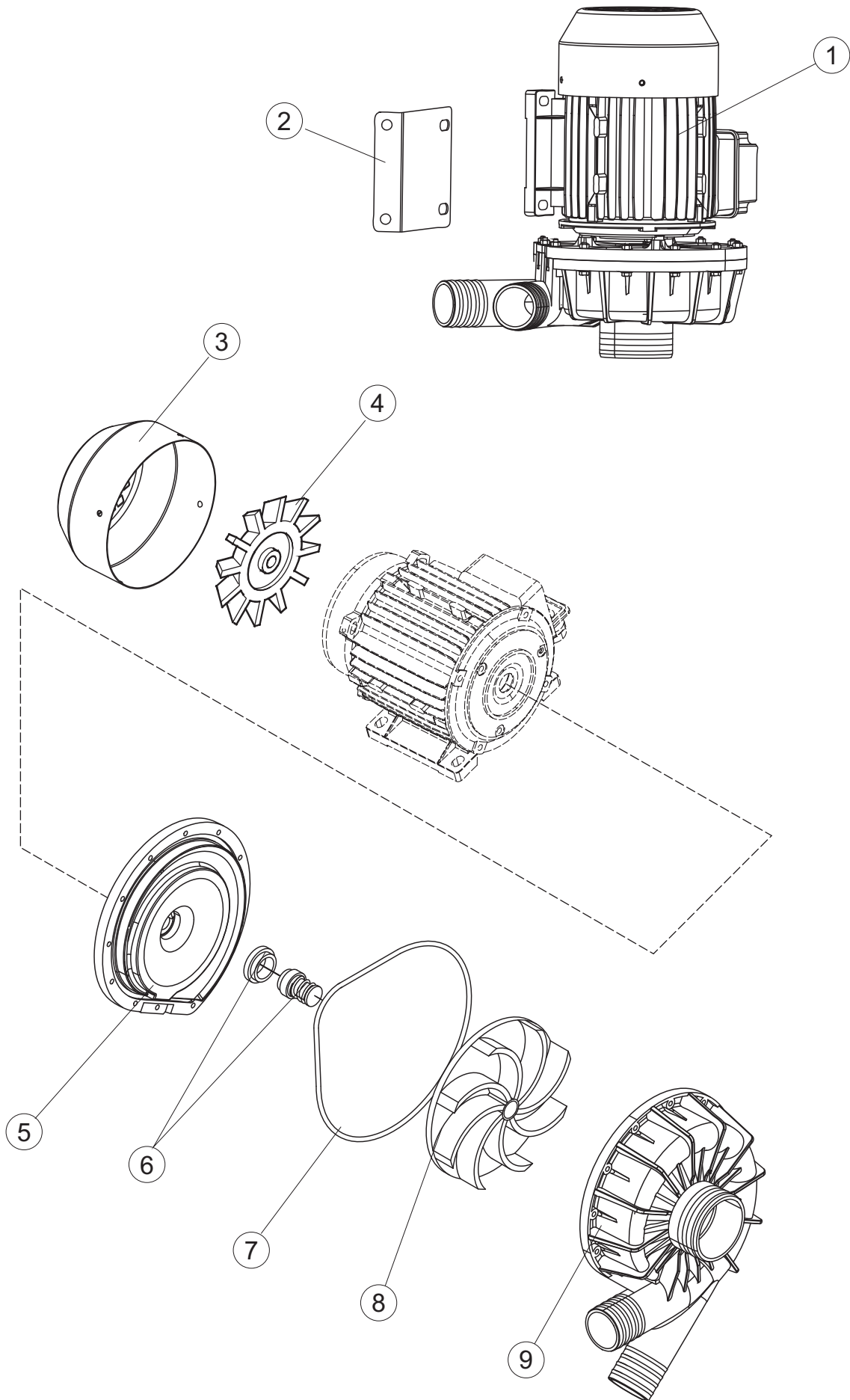


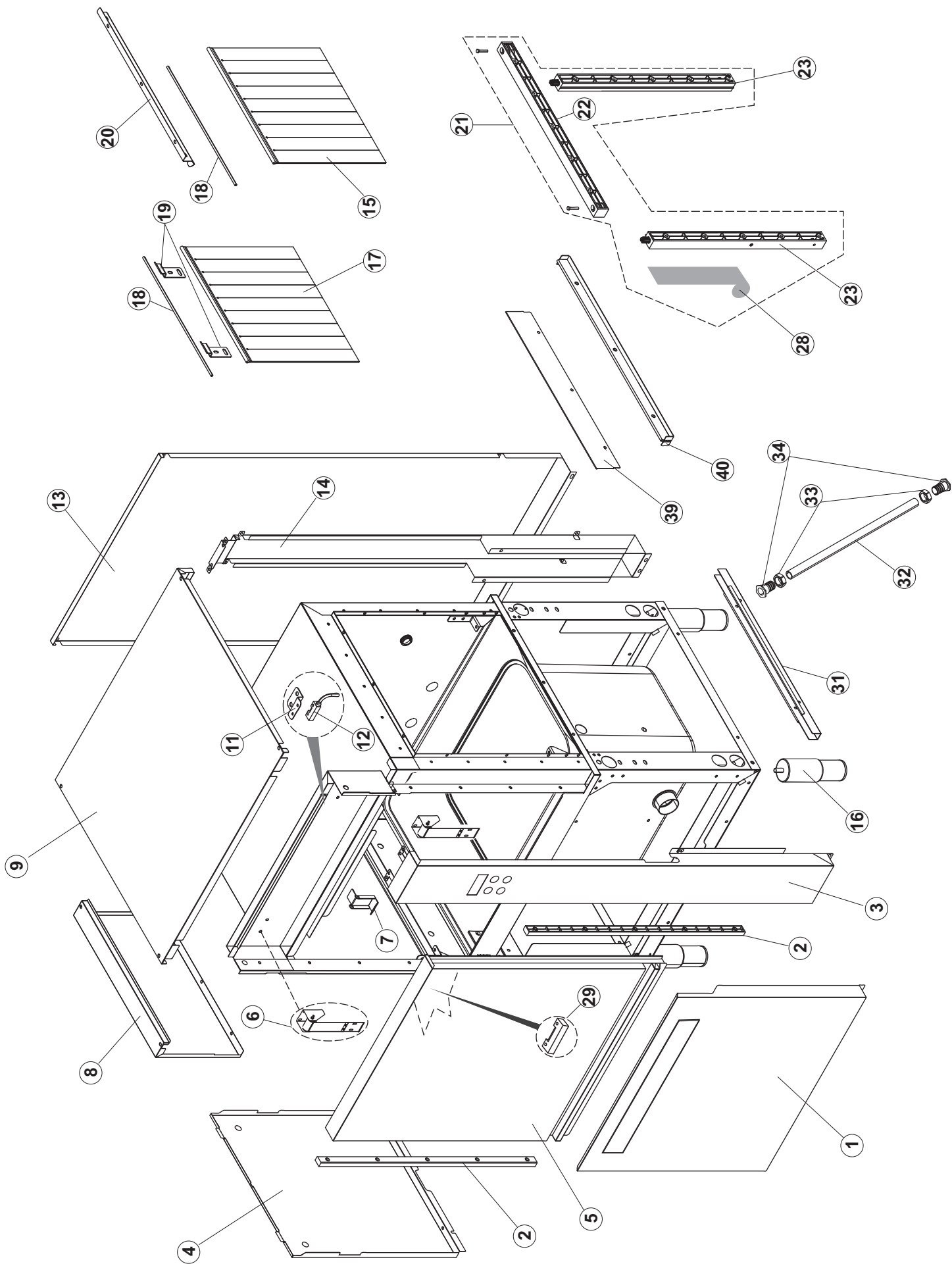


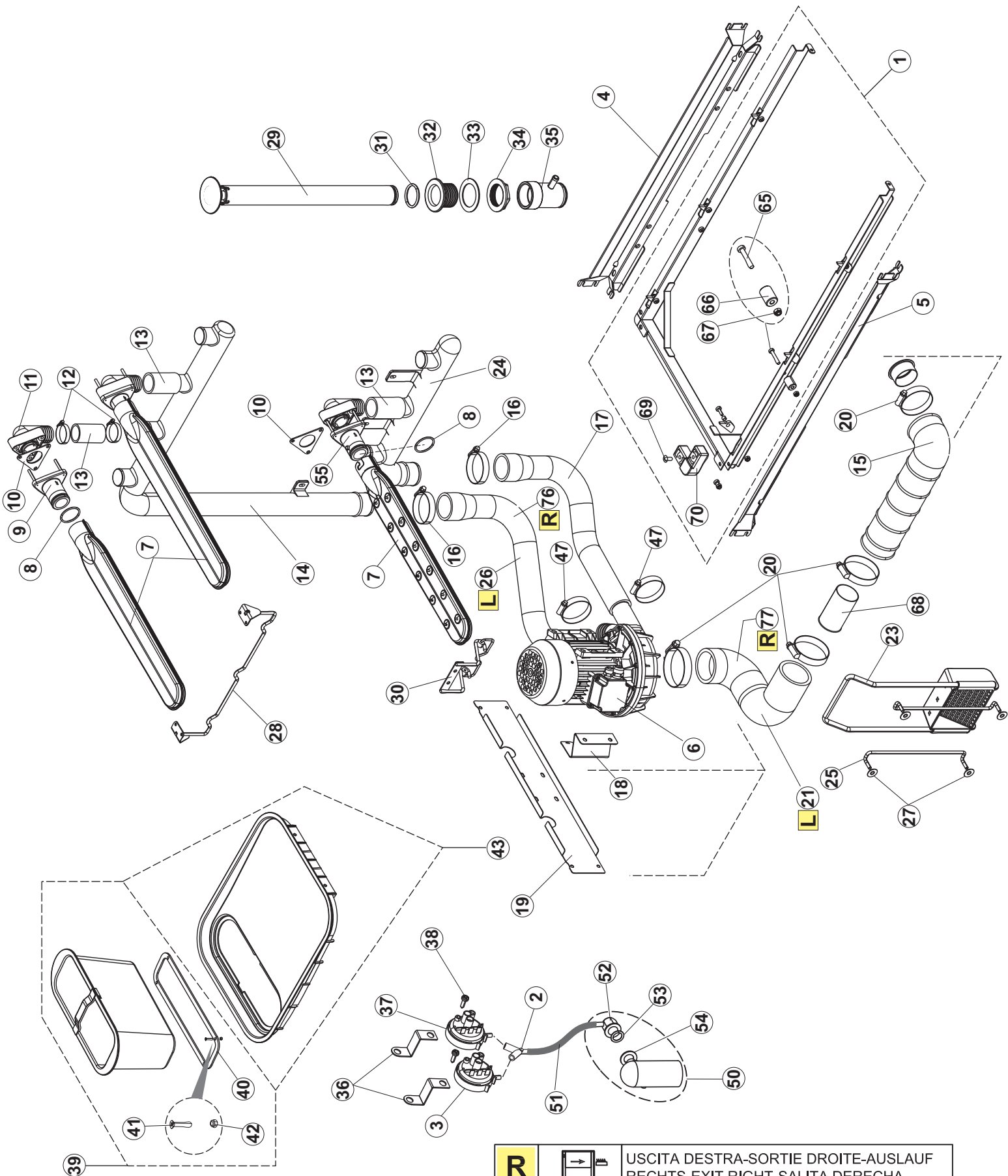




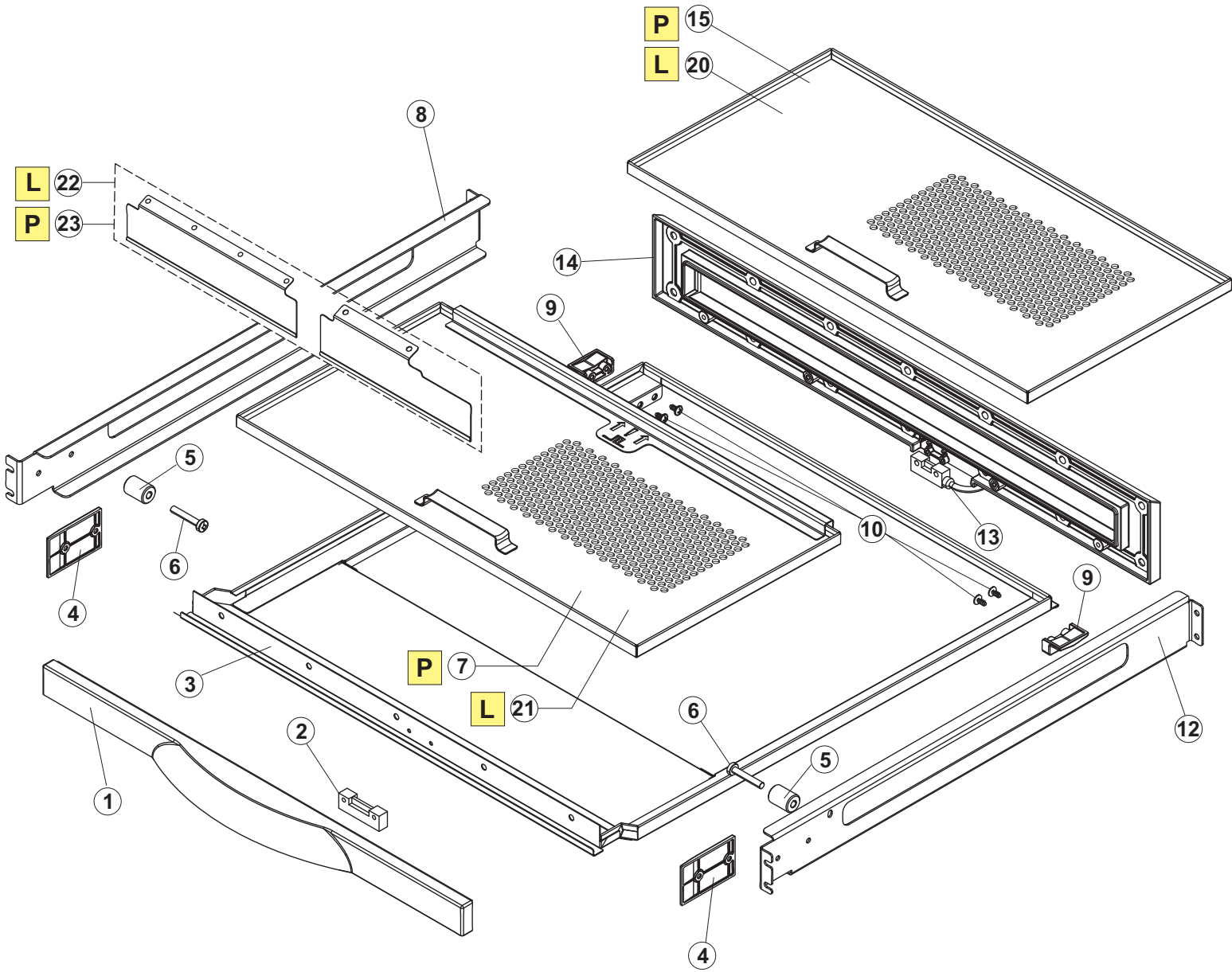
6







R		USCITA DESTRA-SORTIE DROITE-AUSLAUF RECHTS-EXIT RIGHT-SALIDA DERECHA
L		USCITA SINISTRA-SORTIE GAUCHE-AUSLAUF LINKS-EXIT LEFT-SALIDA IZQUIERDA



	P PRELAVAGGIO-PRELAVAGE-WASCH -PRE-WASH-PRELAVADO
	L LAVAGGIO-LAVAGE-VORWASCHE -WASH-LAVADO

(*) Recommended spare part.

Page	Spare part position	Spare part code no.	Old code number	Description	U.m.	Price euro
1	1	65244		NOT IN PRICE-LIST		
1	2	65080		BACK PANEL	NR	64,81
1	3	65035		FRONT PANEL	NR	53,21
1	4	65258		CORNER REAR RIGHT PANEL	NR	96,59
1	5	65337		SUPPORTING UPRIGHT	NR	124,24
1	6	65054		SIDE PANEL	NR	73,92
1	7	73100		FOOT	NR	19,98
1	8	65287		FRONT PANEL	NR	130,26
1	9	K65282		KIT DOOR WASH UNIT	NR	738,17
1	10	65654		DOOR SPRING KIT	NR	180,02
1	11	65338		CORNER FRONT RIGHT PANEL	NR	105,18
1	14	65259		CORNER REAR LEFT PANEL	NR	96,49
1	15	65050		TOP PANEL	NR	140,28
1	16	65256		BRACKET	NR	5,07
1	17	80871		MAGNETIC DOOR SWITCH	NR	21,54
1	18	927088	CWM7	MAGNET FOR HOOD MICROSWITCH	NR	14,58
1	21	75064		DOOR SAFETY HOOK FOR RACK-CONVEYOR	NR	18,06
1	22	75647		SLIDES CONVEYOR DOOR	NR	11,84
2	1	75124		CURTAIN SUPPORT FOR RACK-CONVEYOR DISH-	NR	28,28
2	2	65128		SUPPORT BRACKET	NR	5,80
2	3	65210		CURTAIN	NR	155,94
2	4	65162		CURTAIN SUPPORTING BRACKET	NR	32,10
2	5	65227		CURTAIN	NR	64,19
2	6	70100		WASHPUMP	NR	513,49
2	7	75616		COMPLETE WASH ARM	NR	98,85
2	8	CGR4131NT		O-RING	NR	3,80
2	9	75645		CONNECTING ARM	NR	36,24
2	10	437050	REB437050	GASKET	NR	2,40
2	11	75155		PIPE FITTING	NR	10,51
2	12	CFS32		NOT IN PRICE-LIST		
2	13	75154		DELIVERY WASH HOSE	NR	9,22
2	14	65177		PIPE	NR	57,17

(*) Recommended spare part.

Page	Spare part position	Spare part code no.	Old code number	Description	U.m.	Price euro
2	15	65210		CURTAIN	NR	155,94
2	16	CFS2		CLAMP, TORRO W1/W2B 50-70/12	NR	6,44
2	17	65624		PIPE	NR	55,36
2	18	65326		SUPPORT BRACKET	NR	15,00
2	19	65330		BRACKET	NR	54,92
2	20	CFS3		CLAMP, HOSE-TYPE TORRO W2B 60-80/12	NR	9,06
2	21	926056	DZG461	PIPE ELBOW	NR	29,24
2	23	75661		PUMP ASPIRATION FILTER	NR	26,11
2	24	K65176		PIPE + PARZ.77018	NR	56,41
2	25	42092	C.42092	ASPIRATION FILTER SLIDE	NR	36,24
2	26	65623		PIPE	NR	60,79
2	27	472061		WASHER	NR	2,88
2	28	65293		BRACKET	NR	48,00
2	29	75866		OVERFLOW PIPE	NR	37,86
2	30	65212		SUPPORT BRACKET WASH ARM	NR	47,67
2	31	CGR4131NT		O-RING	NR	3,80
2	32	75871		DRAIN CONNECTION	NR	19,04
2	33	75873		GASKET	NR	2,95
2	34	75872		NUT WASTE DRAIN	NR	11,23
2	35	75639		DRAIN FITTING (PLASTIC)	NR	26,11
2	36	DAS20206		NOT IN PRICE-LIST		
2	37	926049	DEP45	PRESSURE SWITCH	NR	27,61
2	38	CVZ4		SCREW	NR	0,69
2	39	75429		COLLECTING FILTER WITH WEIGHT	NR	80,58
2	40	75428		WEIGHT FOR BASKET STAINER	NR	33,47
2	41	CVI1101		SCREW, INOX 4MAX10 TC/CROSS	NR	1,25
2	42	417091		NUT - SELF-LOCK	NR	1,23
2	43	65200		TANK FLAT STAINLESS STEEL FILTER	NR	250,03
2	47	CFS1A		HOSE CLAMP	NR	4,22
2	50	984005	REB984005	AIR TRAP, ASSY	NR	14,17
2	51	143005	SPG10	LINEN RUBBER PIPE 5X12 - BLACK	MT	12,27
2	52	468029	REB468029	AIR TRAP CONNECTION OF PRESSURE SWITCH	NR	2,26

(*) Recommended spare part.

Page	Spare part position	Spare part code no.	Old code number	Description	U.m.	Price euro
2	53	456020	REB456020	O-RING	NR	1,23
2	54	437019	REB437019	PACKING FOR AIR TRAP OF PRESSURE SWITCH	NR	1,23
2	55	75648		CONNECTING ARM	NR	36,24
2	57	H.775489-001		SUPPORT TEMPERATURE PROBE	NR	5,18
2	58	231016		TEMPERATURE PROBE	NR	28,18
2	59	80397C		HEATING ELEMENT 10500W 230/400V	NR	140,00
2	60	456002	REB456002	O-RING	NR	1,23
2	61	69870		BOILER HEATING ELEMENT PROTECTION	NR	3,81
2	62	927057		THERMOSTAT	NR	37,94
2	70	77121		CURTAIN SUPPORT FOR RACK-CONVEYOR DISH-	NR	34,68
3	1	927057		THERMOSTAT	NR	37,94
3	2	69871		PROBE HOLDER	NR	11,04
3	3	231016		TEMPERATURE PROBE	NR	28,18
3	4	69870		BOILER HEATING ELEMENT PROTECTION	NR	3,81
3	5	456002	REB456002	O-RING	NR	1,23
3	6	926053	DWT100	CLOSED FLANGE CAP (170880543)	NR	12,18
3	7	230083C	REB230083C	HEATING ELEMENT 6KW	NR	81,61
3	8	230020C	REB230020C	KIT HEATING ELEMENTS REB230020 (8KW)	NR	86,39
3	9	80398C	C.80398C	READY-TO-ASSEMBLE KIT FOR HEATING	NR	121,70
3	10	65700		BOILER	NR	289,68
3	11	65069		PIPE	NR	11,30
3	13	65018		PIPE FITTING	NR	17,42
3	14	65245		COVER INSULATION	NR	32,53
3	15	143010	SPG61	RUBBER PIPE 12X19,5	MT	12,25
3	16	65582		BRACKET	NR	26,78
3	17	65588		SUPPORT BRACKET RINSE ARM	NR	32,63
3	18	65789		RINSE ARM	NR	140,80
3	19	65952		STAINLESS STEEL RINSE SPRAY NOZZLE	NR	18,13
3	20	65727		O-RING 2050 12.42X1.78 EPDM 70SH A	NR	0,54
3	21	65883		INTERNAL RINSE PIPE FITTING AISI303	NR	40,99
3	22	66945		PIPE FITTING	NR	39,88
3	23	143268		JUNCTION "Y"	NR	6,48

(*) Recommended spare part.

Page	Spare part position	Spare part code no.	Old code number	Description	U.m.	Price euro
3	24	65388		BREAK TANK	NR	167,45
3	25	65390		COVER	NR	26,92
3	26	65609		FLOW REDUCER	NR	43,86
3	27	41525		RINSE DELIVERY TUBE(CRP)	NR	33,72
3	28	437041	REB437041	GASKET	NR	1,48
3	29	143277		INLET HOSE	NR	22,90
3	31	927322	CFS14	HOSE CLAMP	NR	3,02
3	33	143131	SPG47	PIPE	MT	2,82
3	34	984005	REB984005	AIR TRAP, ASSY	NR	14,17
3	35	41059	C.41059	SPLASH PROTECTION	NR	28,60
3	36	929167	DPE112	ELECTROPUMP	NR	291,41
3	37	429036	REB429036	RING NUT	NR	8,55
3	38	437025	REB437025	PACKING FOR DRAIN UNIT RING NUT (S6666)	NR	1,23
3	39	CDO134CR		NUT - CHROMIUM PLATED	NR	25,28
3	40	75621		NOT IN PRICE-LIST		
3	41	224031		PRESSURE SWITCH	NR	40,80
3	43	927326	DZR666	PIPE CONNECTION	NR	11,50
3	44	240016	DEV3S16	SOLENOID VALVE	NR	18,66
3	45	75976		FLOW REDUCER	NR	6,09
3	47	CFS32		NOT IN PRICE-LIST		
3	50	65545		RINSE ARM	NR	63,46
3	59	65749		GASKET ES/AM VERDE 33X21X1,5	NR	0,85
3	75	65747-A		RINSE PIPE L 200 RACC 90	NR	15,84
3	76	65747-B		RINSE PIPE L 380 RACC 90	NR	15,84
4	1	75058		WASHER	NR	15,65
4	2	75234		PIVOT	NR	11,09
4	3	75649		SPLASH PROTECTION	NR	17,40
4	4	65235		GEAR SHAFT CONVEYOR	NR	133,75
4	5	65235C		GEARED MOTOR KEY	NR	25,35
4	6	K75141		UPPER FLANGE SHAFT CONVEYOR	NR	65,66
4	7	75168		GASKET	NR	6,11
4	8	K75057		LOWER BUSH & SEAL	NR	58,63

(*) Recommended spare part.

Page	Spare part position	Spare part code no.	Old code number	Description	U.m.	Price euro
4	9	65921		GEARMOTOR SW050PA MEC71B5 I=30	NR	688,15
4	10	927105	DPM1205	MOTOR 180W V 400	NR	464,89
4	11	CMT13		SPRING	NR	4,50
4	12	60354		SCREW	NR	26,44
4	13	75869		RACK CONVEYOR	NR	318,33
4	14	K65024		RACK SLIDE RACKCONVEYOR ONLY SPARE PART	NR	100,32
4	15	K75649		KIT PROTECTIVE PLATE OF SPLASHING WATER	NR	71,26
4	16	75310		SCREW	NR	0,34
4	17	75076		BUFFER FOR DRIVE STOP	NR	3,75
4	18	CDI206AU		NUT - SELF-LOCK	NR	1,47
4	19	75073		RACK CONVEYOR HANDLE	NR	57,66
4	20	927088	CWM7	MAGNET FOR HOOD MICROSWITCH	NR	14,58
4	21	75077		BUSH	NR	7,66
4	22	75071		RACK CONVEYOR COG	NR	15,99
4	23	CVI172		SCREW, INOX SPEC.6MAX16 T.1/2 T. POELIER	NR	1,50
4	24	75075		SLED CART TOWING	NR	5,07
4	25	65022		NOT IN PRICE-LIST		
4	26	75110		BRACKET ECONOMIZER	NR	12,21
4	27	65695		OPERATED RINSING LEVER	NR	38,82
4	28	486169	REB486169	STAINLESS STEEL SCREW 4MAX10 TBCR-SP	NR	2,58
4	29	65217		NOT IN PRICE-LIST		
4	30	75868		TOWING RACK	NR	218,17
4	32	927246	DEM11NT	MICROSWITCH	NR	33,69
4	33	927095	DWA202	SEAL RING MIM 30X40X7 (MIM 30407)	NR	15,76
4	35	75218		SUPPORT BRACKET	NR	14,32
4	45	80871		MAGNETIC DOOR SWITCH	NR	21,54
5	1	65680		PANEL FOR ELECTRICAL COMPONENTS	NR	133,06
5	2	80829		BAR ELECTRICAL CONNECTION	NR	37,51
5	3	80826		POWER CONNECTOR	NR	58,54
5	4	73830		CONNECTOR	NR	22,85
5	5	73351		CONTACTOR	NR	87,03
5	6	927115	DEM4L	TERMINAL BLOCK	NR	12,34

(*) Recommended spare part.

Page	Spare part position	Spare part code no.	Old code number	Description	U.m.	Price euro
5	7	74938		NOT IN PRICE-LIST		
5	8	74939		NOT IN PRICE-LIST		
5	9	75817		ELECTRICAL CONNECTOR FOR U-SHAPED BAR	NR	2,69
5	10	65683		COVER	NR	33,33
5	11	74903		MAIN BOARD	NR	93,45
5	12	74935		FUSE-HOLDER	NR	8,00
5	13	H.228048		PLUG	NR	3,84
5	14	228014		FUSE	NR	0,71
5	15	929115	DER1108	RELAY 16A 230V	NR	35,50
5	16	215042-2		MAIN BOARD 215042+ FIRMWARE26(FW_0_XXA.Q014)	NR	194,83
5	17	228010		FUSE	NR	1,40
5	18	73350		CONTACTOR	NR	45,69
5	20	75983		TERMINAL BLOCK	NR	180,91
5	21	DEI40N		AUTOMATIC SWITCH	NR	146,66
5	22	DEI36N		AUTOMATIC SWITCH	NR	146,66
5	23	927038	DEP2F	FUSE-HOLDER - TRIPOLAR GK1-DF	NR	60,68
5	24	74940		NOT IN PRICE-LIST		
5	27	419036		INTERFACE BOARD DISTANCE KEEPERS	NR	8,24
5	28	417119		NUT	NR	1,74
5	29	74901		CONTROL KEYBOARD	NR	53,04
5	30	66719		CONTROL ADHESIVE INTERFACE CT160ABT, CT270ABT RM GASTRO	NR	66,64
5	31	74933		FLAT CABLE WITH PROTECTIVE SHEATH	NR	25,89
5	32	65491		BRACKET	NR	28,37
5	33	74936		NOT IN PRICE-LIST		
5	34	65981		PLUG	NR	3,09
5	38	214088		PVC CURTAIN FOR ELECTRIC PROTECTION	NR	17,05
5	39	927114	DEM27	TERMINAL BLOCK	NR	33,28
6	1	70100		WASHPUMP	NR	513,49
6	2	70105		BRACKET	NR	18,28
6	3	70940		ELECTROPUMP FAN COVER	NR	41,78
6	4	70939		WASHPUMP FUN	NR	21,77
6	5	70941		FLANGE	NR	95,08

(*) Recommended spare part.

Page	Spare part position	Spare part code no.	Old code number	Description	U.m.	Price euro
6	6	70942		WASPUMP SHAFT SEAL	NR	47,26
6	7	70943		O-RING	NR	30,67
6	8	70944		ELECTROPUMP IMPELLER	NR	42,22
6	9	70945		ELECTROPUMP HOUSING	NR	62,02
7	1	65482		FRONT PANEL	NR	101,46
7	2	75647		SLIDES CONVEYOR DOOR	NR	11,84
7	3	65409		CONTROL PANEL C4-2	NR	119,57
7	4	65054		SIDE PANEL	NR	73,92
7	5	65534		CONVEYOR DOOR	NR	438,57
7	6	77560		DOOR SPRING KIT	NR	171,63
7	7	75064		DOOR SAFETY HOOK FOR RACK-CONVEYOR	NR	18,06
7	8	65035		FRONT PANEL	NR	53,21
7	9	65742		TOP PANEL	NR	136,35
7	11	65256		BRACKET	NR	5,07
7	12	80871		MAGNETIC DOOR SWITCH	NR	21,54
7	13	65540		NOT IN PRICE-LIST		
7	14	65619		SUPPORTING UPRIGHT	NR	98,87
7	15	65216		MEDIUM CURTAIN 3 CUTS	NR	83,41
7	16	73100		FOOT	NR	19,98
7	17	65210		CURTAIN	NR	155,94
7	18	75124		CURTAIN SUPPORT FOR RACK-CONVEYOR DISH-	NR	28,28
7	19	65128		SUPPORT BRACKET	NR	5,80
7	20	65640		CURTAIN SUPPORTING BRACKET	NR	26,50
7	21	K65049		KIT GROUP FRAME JUNCTION TOWING MODULE	NR	104,54
7	22	65047		HORIZONTAL BAR	NR	21,83
7	23	65045		VERTICAL L BAR	NR	21,83
7	28	65997		GASKET	MT	4,26
7	29	927088	CWM7	MAGNET FOR HOOD MICROSWITCH	NR	14,58
7	31	77527		BOTTOM STEEL BAR	NR	27,74
7	32	K66915		NOT IN PRICE-LIST		
7	33	77524		NUT	NR	38,08
7	34	77525		DRAIN CONNECTION	NR	95,74

(*) Recommended spare part.

Page	Spare part position	Spare part code no.	Old code number	Description	U.m.	Price euro
7	39	65645		SEPARATOR UNIT WASHING - PREWASHING	NR	15,53
7	40	65055		BRACKET UNION TANKS	NR	21,64
8	1	77830		RACK CONVEYOR	NR	169,78
8	2	70996		PIPE CONNECTION	NR	4,57
8	3	224006	REB224006	PRESSURE SWITCH 115/15	NR	30,87
8	4	K65531		NOT IN PRICE-LIST		
8	5	K65531		NOT IN PRICE-LIST		
8	6	70100		WASHPUMP	NR	513,49
8	7	75616		COMPLETE WASH ARM	NR	98,85
8	8	CGR4131NT		O-RING	NR	3,80
8	9	75645		CONNECTING ARM	NR	36,24
8	10	437050	REB437050	GASKET	NR	2,40
8	11	75155		PIPE FITTING	NR	10,51
8	12	CFS32		NOT IN PRICE-LIST		
8	13	75154		DELIVERY WASH HOSE	NR	9,22
8	14	65177		PIPE	NR	57,17
8	15	80186	C.80186	SUCTION PIPE	NR	28,12
8	16	CFS2		CLAMP, TORRO W1/W2B 50-70/12	NR	6,44
8	17	65623		PIPE	NR	60,79
8	18	65326		SUPPORT BRACKET	NR	15,00
8	19	65330		BRACKET	NR	54,92
8	20	CFS3		CLAMP, HOSE-TYPE TORRO W2B 60-80/12	NR	9,06
8	21	65189		PUMP INLET HOSE	NR	89,06
8	23	75661		PUMP ASPIRATION FILTER	NR	26,11
8	24	K65176		PIPE + PARZ.77018	NR	56,41
8	25	42092	C.42092	ASPIRATION FILTER SLIDE	NR	36,24
8	26	65624		PIPE	NR	55,36
8	27	472061		WASHER	NR	2,88
8	28	65293		BRACKET	NR	48,00
8	29	77846		OVERFLOW PIPE	NR	36,56
8	30	65212		SUPPORT BRACKET WASH ARM	NR	47,67
8	31	CGR4131NT		O-RING	NR	3,80

(*) Recommended spare part.

Page	Spare part position	Spare part code no.	Old code number	Description	U.m.	Price euro
8	32	75871		DRAIN CONNECTION	NR	19,04
8	33	75873		GASKET	NR	2,95
8	34	75872		NUT WASTE DRAIN	NR	11,23
8	35	75639		DRAIN FITTING (PLASTIC)	NR	26,11
8	36	DAS20206		NOT IN PRICE-LIST		
8	37	926049	DEP45	PRESSURE SWITCH	NR	27,61
8	38	CVZ4		SCREW	NR	0,69
8	39	75429		COLLECTING FILTER WITH WEIGHT	NR	80,58
8	40	75428		WEIGHT FOR BASKET STAINER	NR	33,47
8	41	CVI1101		SCREW, INOX 4MAX10 TC/CROSS	NR	1,25
8	42	417091		NUT - SELF-LOCK	NR	1,23
8	43	65200		TANK FLAT STAINLESS STEEL FILTER	NR	250,03
8	47	CFS1A		HOSE CLAMP	NR	4,22
8	50	984005	REB984005	AIR TRAP, ASSY	NR	14,17
8	51	143005	SPG10	LINEN RUBBER PIPE 5X12 - BLACK	MT	12,27
8	52	468029	REB468029	AIR TRAP CONNECTION OF PRESSURE SWITCH	NR	2,26
8	53	456020	REB456020	O-RING	NR	1,23
8	54	437019	REB437019	PACKING FOR AIR TRAP OF PRESSURE SWITCH	NR	1,23
8	55	75648		CONNECTING ARM	NR	36,24
8	65	75310		SCREW	NR	0,34
8	66	75076		BUFFER FOR DRIVE STOP	NR	3,75
8	67	CDI206AU		NUT - SELF-LOCK	NR	1,47
8	68	929165T		NOT IN PRICE-LIST		
8	69	486169	REB486169	STAINLESS STEEL SCREW 4MAX10 TBCR-SP	NR	2,58
8	70	75075		SLED CART TOWING	NR	5,07
8	76	65622		PIPE	NR	81,59
8	77	65269		PUMP INLET HOSE	NR	80,53
9	1	65501		HANDLE FOR THE FILTER	NR	29,38
9	2	927088	CWM7	MAGNET FOR HOOD MICROSWITCH	NR	14,58
9	3	65556		STRAINER FRAME	NR	176,30
9	4	65503		SIDE SLIDE FOR FILTER	NR	2,46
9	5	75076		BUFFER FOR DRIVE STOP	NR	3,75

(*) Recommended spare part.

Page	Spare part position	Spare part code no.	Old code number	Description	U.m.	Price euro
9	6	75311		SCREW	NR	0,37
9	7	65477		FRONT DRAWER STRAINER FOR PRE-WASH TANK	NR	101,26
9	8	65871		NOT IN PRICE-LIST		
9	9	65508		SLIDING BLOCK	NR	2,13
9	10	65999		SCREW	NR	0,62
9	12	65872		NOT IN PRICE-LIST		
9	13	80871		MAGNETIC DOOR SWITCH	NR	21,54
9	14	K65502		KIT STAINER FRAME	NR	54,62
9	15	65478		FRONT DRAWER STRAINER FOR PRE-WASH TANK	NR	97,94
9	20	65468		BACK DRAWER STRAINER FOR WASH TANK	NR	130,75
9	21	65464		FRONT DRAWER STRAINER FOR WASH TANK	NR	143,39
9	22	K65565		KIT SPLASHGUARD WASH DOOR	NR	48,57
9	23	K65479		KIT SPLASHGUARD PRE-WASH DOOR	NR	45,94