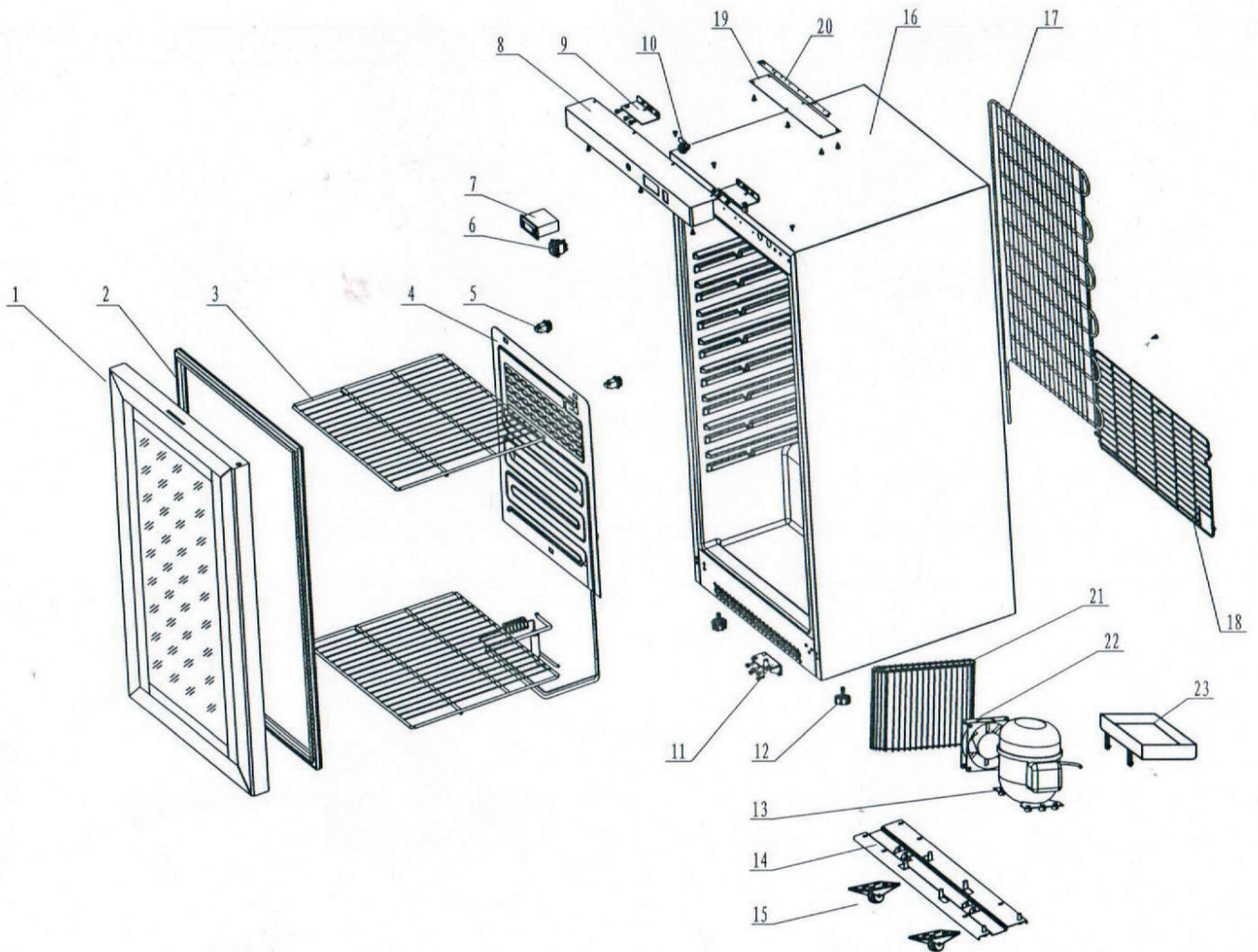


DR 200 G
2020_01



DR 200 G
2020_01

Pozice	Název	Kód
1	foaming door	DR200.01.G
2	door gasket	DR200.02
3	shelves	DR200.03
4	evaporator	DR200.04
5	evaporator fixing end	DR200.05
6	light swich	DR40G.02
7	controller	GN1100TN.29. DR200
8	front panel	DR200.07
9	top hinge	DR200.08
10	lock	GN1100TN.27
11	bottom hinge	DR200.09
12	adjustable feet	S900 STD.38
13	compressor NLL200A	ZANUSSI NLL200A
14	BOARD OF CONDENSER UNIT	DR200.10
15	small caster	
16	foaming body	DR200.11.201
17	Wire tube condenser	
18	MOTER UNIT BACK NET	DR20.13
19	LED light cover	DR40G.03
20	LED light	DR40G.04
21	condenser	DR200.17
22	conderser fan	DR200.18
23	water tray	DR200.19