

# Technical data sheet



## Product features

### Fry Top Griddle electric smooth durable chrome

<b>Model</b>	<b>SAP Code</b>	00021107
--------------	-----------------	----------



- Top type: Smooth
- Griddle dimensions [mm x mm]: 650 x 480 + 320 x 380 + 320 x 380
- Griddle thickness [mm]: 10.00
- Container for liquid fat: Yes
- Independent heating zones: Separate control for each heating zone on the bottom plate and for the top plates
- Maximum device temperature [°C]: 300
- Surface finish: polished chrome 0.03 mm
- Removable rim: No

<b>SAP Code</b>	00021107	<b>Power electric [kW]</b>	12.000
<b>Net Width [mm]</b>	660	<b>Loading</b>	2x 230 V / 1N - 50 Hz + 400 V / 3N - 50 Hz
<b>Net Depth [mm]</b>	660	<b>Griddle dimensions [mm x mm]</b>	650 x 480 + 320 x 380 + 320 x 380
<b>Net Height [mm]</b>	400	<b>Top type</b>	Smooth
<b>Net Weight [kg]</b>	72.00		

# Technical data sheet



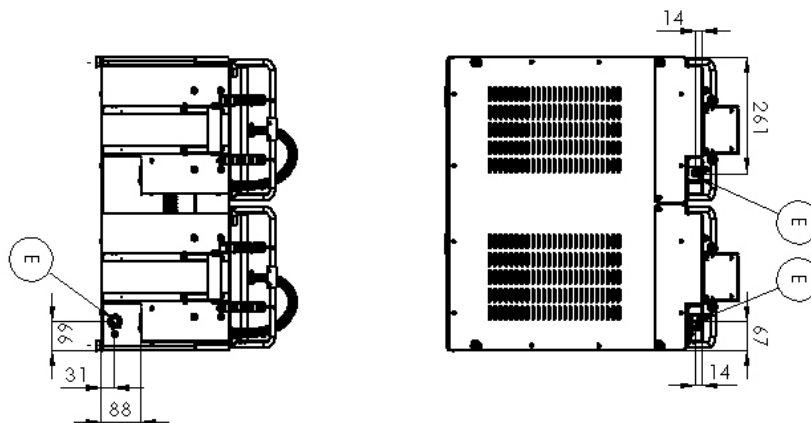
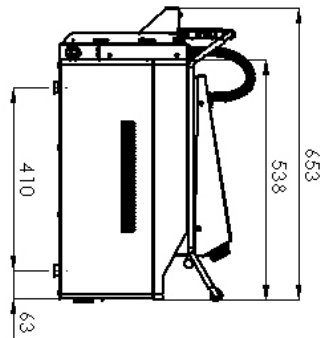
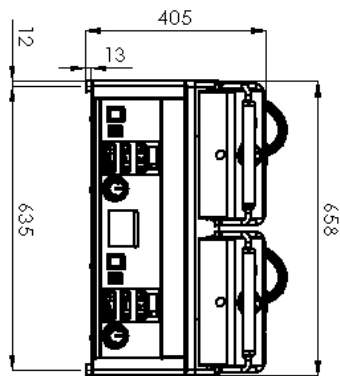
Technical drawing

Fry Top Griddle electric smooth durable chrome

Model

SAP Code

00021107



# Technical data sheet



## Technical parameters

### Fry Top Griddle electric smooth durable chrome

<b>Model</b>	<b>SAP Code</b>	00021107
--------------	-----------------	----------

**1. SAP Code:**

00021107

**2. Net Width [mm]:**

660

**3. Net Depth [mm]:**

660

**4. Net Height [mm]:**

400

**5. Net Weight [kg]:**

72.00

**6. Gross Width [mm]:**

710

**7. Gross depth [mm]:**

725

**8. Gross Height [mm]:**

540

**9. Gross Weight [kg]:**

75.00

**10. Device type:**

Electric unit

**11. Construction type of device:**

Table top

**12. Power electric [kW]:**

12.000

**13. Loading:**

2x 230 V / 1N - 50 Hz + 400 V / 3N - 50 Hz

**14. Protection of controls:**

IPX4

**15. Exterior color of the device:**

Stainless steel

**16. Material:**

AISI 430

**17. Indicators:**

operation and warm-up

**18. Surface finish:**

polished chrome 0.03 mm

**19. Maximum device temperature [°C]:**

300

**20. Minimum device temperature [°C]:**

50

**21. Griddle dimensions [mm x mm]:**

650 x 480 + 320 x 380 + 320 x 380

**22. Griddle thickness [mm]:**

10.00

**23. Container for liquid fat:**

Yes

**24. Independent heating zones:**

Separate control for each heating zone on the bottom plate and for the top plates

**25. Removable rim:**

No

**26. Uniform heating:**

Yes

**27. Top type:**

Smooth