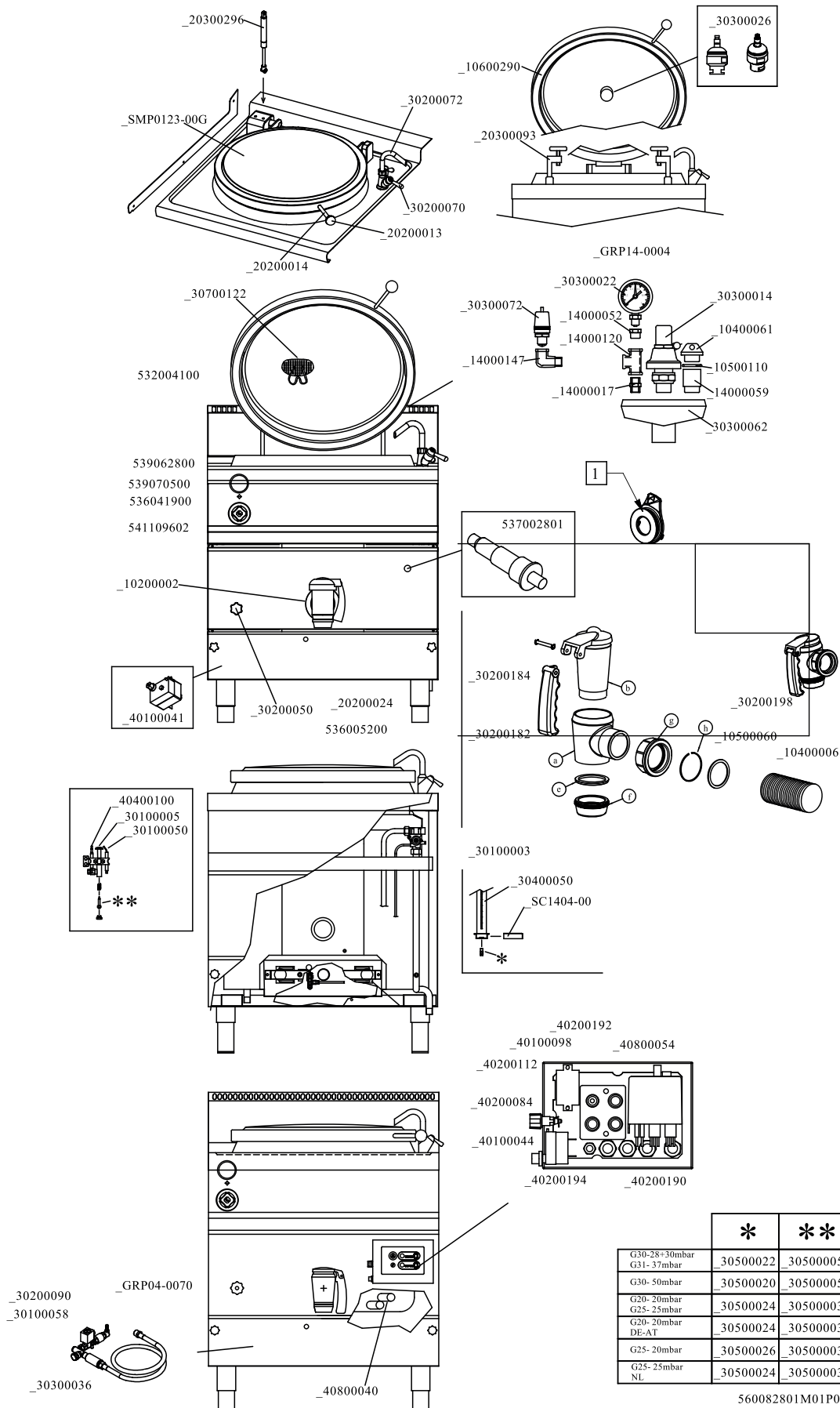




RM 900

Platný od 1.5. 2019

PDA100-98G, PIA100-98G, PD100-98G, PI100-98G, PD150-98G, PI150-98G, PDA150-98G, PIA150-98G

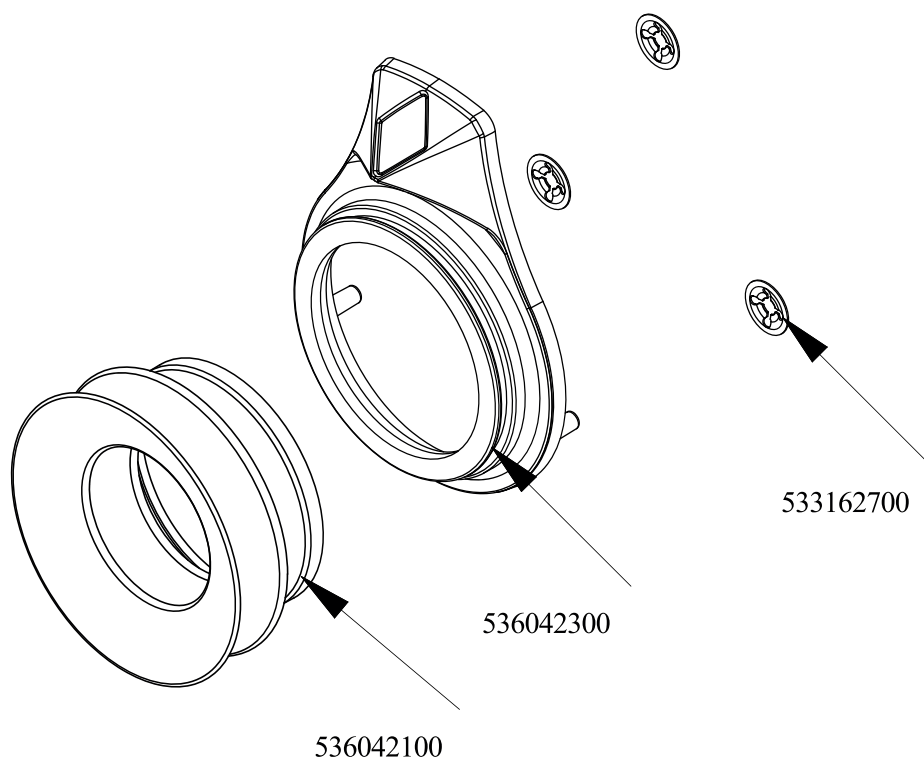


	*	**
G30-28+30mbar	30500022	30500005
G31-37mbar		
G30-50mbar	30500020	30500005
G20-20mbar		
G25-25mbar	30500024	30500003
G20-20mbar		
DE-AT	30500024	30500003
G25-20mbar	30500026	30500003
G25-25mbar	30500024	30500003
NL		

560082801M01P00



Objednací kód	Popis v ENG
_30500005	INJECTOR 20 * G30 FOR PROPANE GAS
_30500003	INJECTOR 40 * G20 FOR NATURAL GAS
_30500022	INJECTOR G30/31 30/37 MBAR D.135
_30500020	INJECTOR G30 30 MBAR Ī120
_30500024	INJECTOR G20 20 MBAR Ī205
_30500026	INJECTOR G25 20 MBAR Ī225
_30700122	TANK FILTER FOR BOILING PAN 100/150
_20200013	GRIP
_30200070	TAP FOR 90LINE
SMP0123-00G	PROCESSING CODE
_20200014	SCREW EXTENSION OF GRIP
_30200072	JOINTED TUBE DIAM.18 L=110MM
_20300296	GAS HINGE FOR LID OF P90
_30300062	VALVE GR.SIC.VERT. 3/4"
_14000059	PROCESSING CODE
_10500110	OR DI.28,17X3,53 RIF. 4112 NBR
_10400061	CAP FOR VALVE 3/4"
_30300014	SAFETY VALVE 0.50 BAR 3/4"
_30300022	MANOMETER
_GRP14-0004	PROCESSING CODE
_14000017	PROCESSING CODE
_14000147	PROCESSING CODE
_30300072	3/8" DEPRESSION VALVE
_14000052	PROCESSING CODE
_14000120	PROCESSING CODE
_10600290	GASKET FOR AUTOCLAVE LID
_20300093	PROCESSING CODE
_30300026	SECURITY VALVE
536041900	SILVER CHROM. KNOB Ø77 4P.G.Ø10X8
539070500	ADHES.LABEL FOR RING RED SIGN.
539062800	RED STICKING DISK 72
541109602	
532004100	FLUE GRID L=370 90LINE (RAF)
536005200	INOX LEG 2" 120-180 M10
_10200002	2" DRAIN COCK STUD
_30200050	LEVEL TAP
_20200024	PROCESSING CODE
_40100041	SAFETY THERMOSTAT 180°C THREEPHASE
_30200198	TAP FOR WATER OUTLET
_30200182	GRIP
_30200184	PROCESSING CODE
_10500060	GREEN GASKET 2" D6X46X2
_10400006	PROCESSING CODE
_30100003	GAS VALVE FOR P1150-98G
_30100050	ROUND CANDLE FOR PAN
_30100005	PILOT D.6 3 WAYS
_40400100	THERMOCOUPLE QUICK M9X1 L=1200
_30400050	BURNER FOR BR-94G
_SC1404-00	BRACKET FOR AIR REGULATOR BURNER
_30300036	PROCESSING CODE
_30100058	PROCESSING CODE
_30200090	PROCESSING CODE
_GRP04-0070	PROCESSING CODE
_40200190	PROCESSING CODE
_40200194	PROCESSING CODE
_40100044	SAFETY THERMOSTAT 180°C SINGLEPHASE
_40200084	DELAYED ACTION FUSE 5X20 3,15A
_40200112	TRANSFORMER 2 WAYS 230V
_40100098	
_40200192	PROCESSING CODE
_40800054	CONTROL UNIT FOR AUT.WATER FILLING



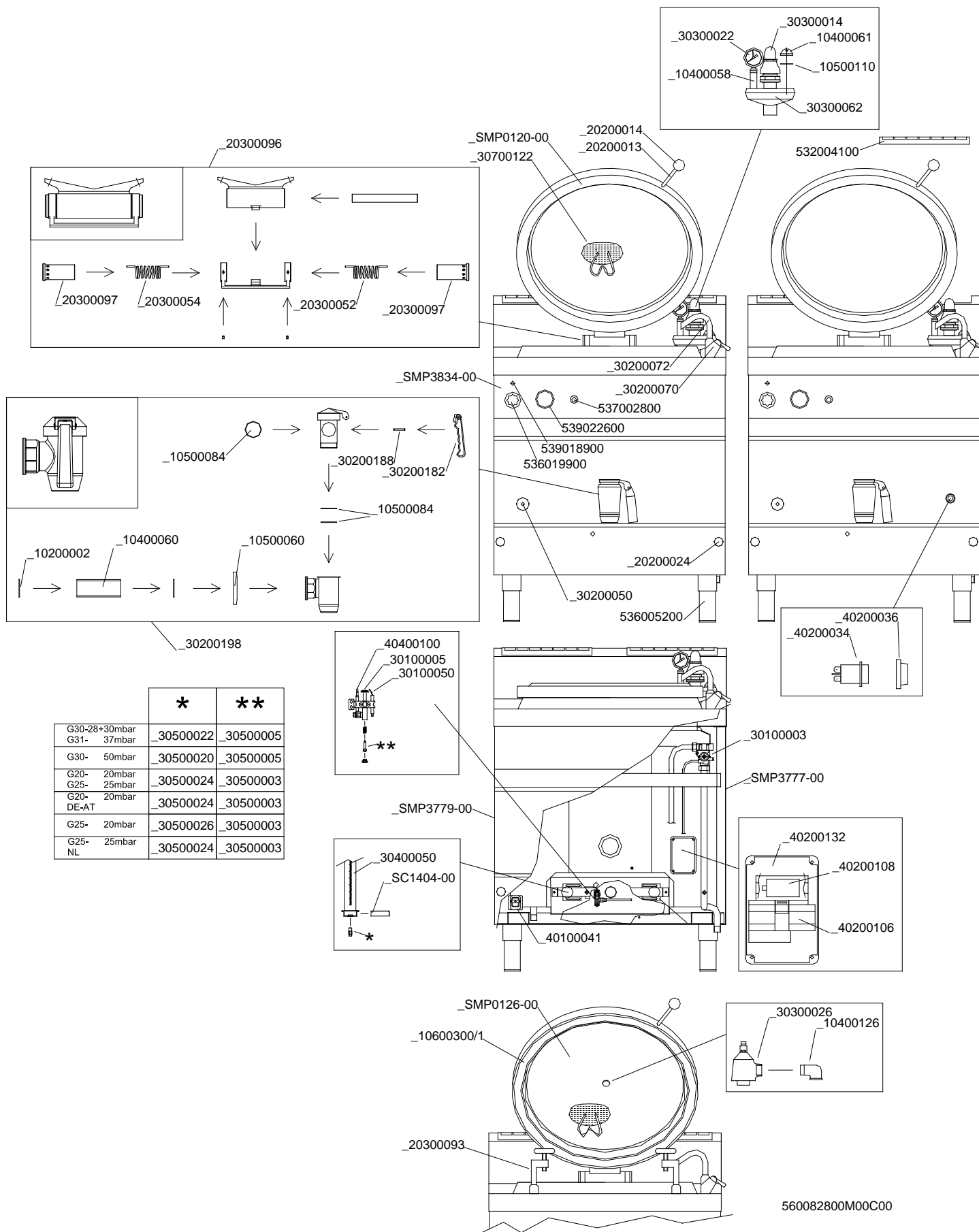
560125700M00P00



Objednačí kód	Popis v ENG
536042300	SILVER CHROM. RING FOR KNOB Ø77 4 P
536042100	SEAL CASING FOR KNOB Ø77 4 P
533162700	PROCESSING CODE



**PDA100 - 98G, PIA100 - 98G, PD100 - 98G, PI100 - 98G,
PD150 - 98G, PI150 - 98G, PDA150 - 98G, PIA150 - 98G ≥ 0903**
Platný od 1.5.2016
do 30.4.2019



	*	**
G30-28+30mbar	_30500022	_30500005
G31- 37mbar		
G30- 50mbar	_30500020	_30500005
G20- 20mbar	_30500024	_30500003
G25- 25mbar		
G20- 20mbar	_30500024	_30500003
G25- 25mbar		
G25- 20mbar	_30500026	_30500003
G25- 25mbar	_30500024	_30500003
NL		



**PDA100 - 98G, PIA100 - 98G, PD100 - 98G, PI100 - 98G,
PD150 - 98G, PI150 - 98G, PDA150 - 98G, PIA150 - 98G ≤ 0179/09**
Platný od 1.5.2016
do 30.4.2019

	*	**	***
G30- 28+30mbar G31- 37mbar	I10055	I09633	I13654
G30- 50mbar	I09632	I09633	I13654
G20- 20mbar G25- 25mbar	I10054	I09634	I08359
G20- 20mbar DE-AT	I10054	I09634	I08359
G25- 20mbar	I09631	I09633	I00658
G25- 25mbar NL	I11982	I09633	I00546

