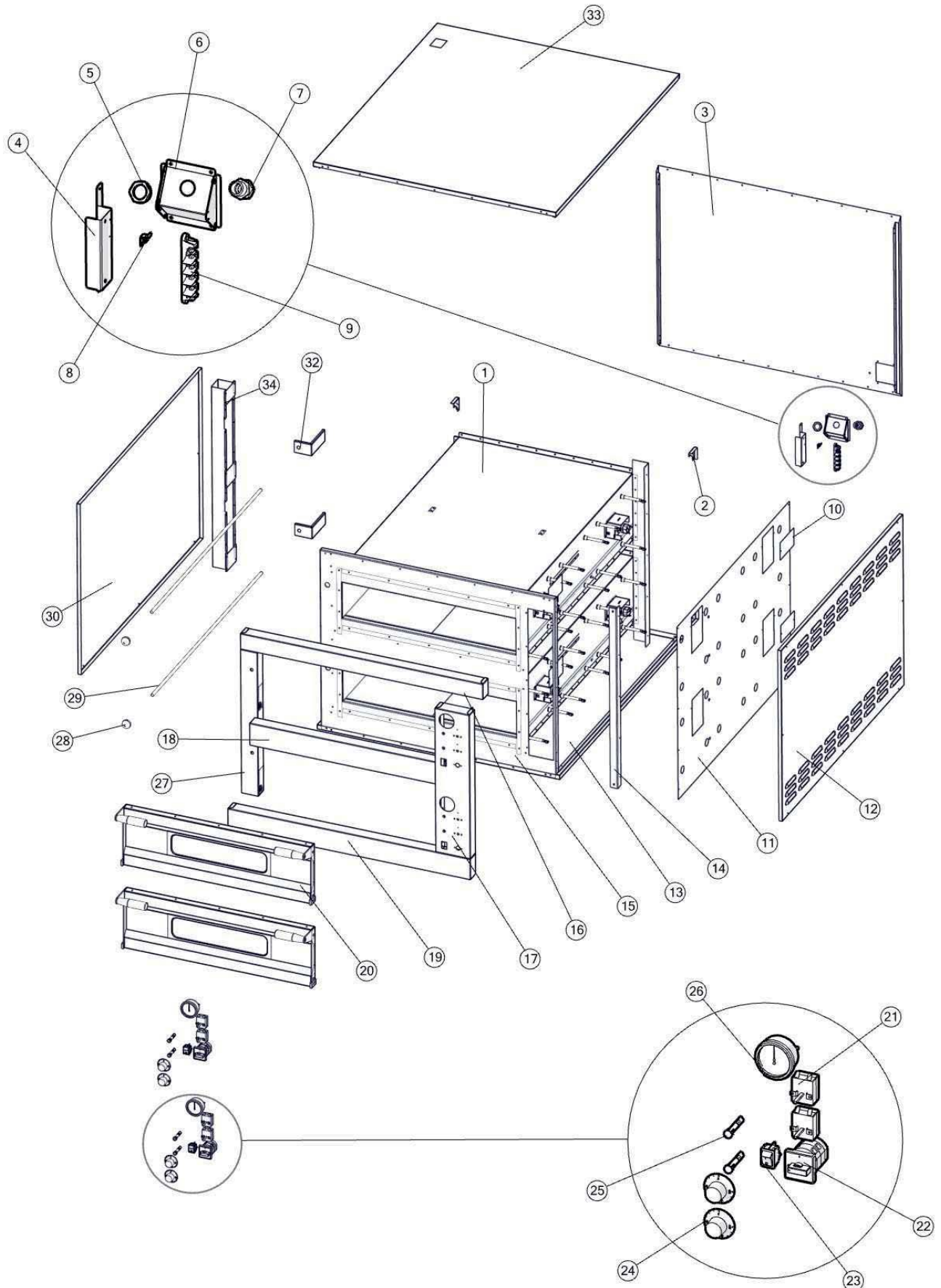


E-12

od 10-2012 - od S.C.: 12020053



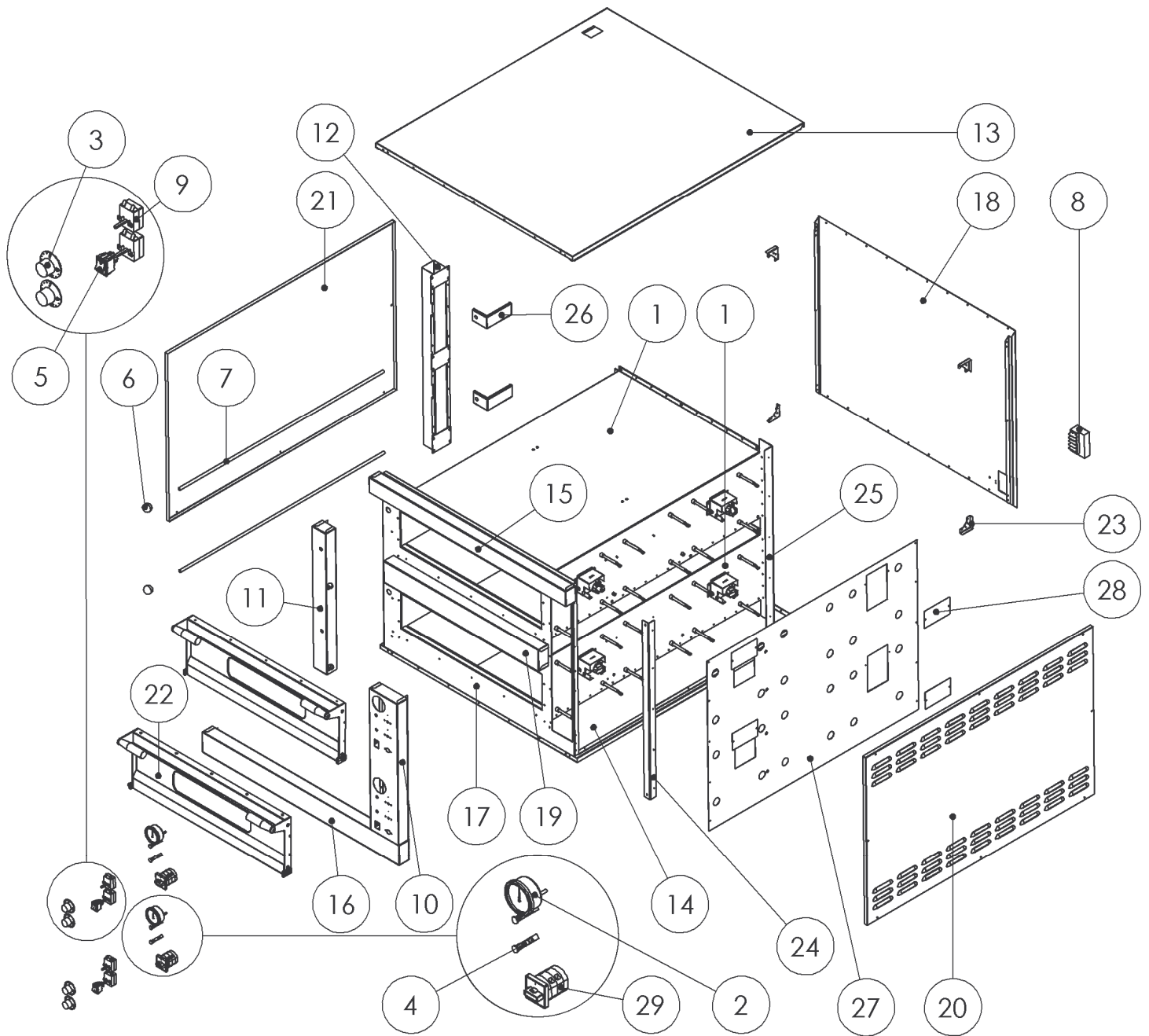
**E-12****od 10-2012 - od S.C.: 12020053**

| <b>E-12</b>   |            |
|---------------|------------|
| <b>Pozice</b> | <b>Kód</b> |
| 1             | ND-A       |
| 2             | 450400807  |
| 3             | 450800016  |
| 4             | 450400025  |
| 5             | 402086216  |
| 6             | 500400826  |
| 7             | 402086016  |
| 8             | 402080110  |
| 9             | 402080102  |
| 10            | 450400024  |
| 11            | 450180006  |
| 12            | 450800012  |
| 13            | 450600205  |
| 14            | 450800008  |
| 15            | 450800015  |
| 16            | 450400812  |
| 17            | 500800014  |
| 18            | 450800017  |
| 19            | 450400813  |
| 20            | 500400818  |
| 21            | 402503202  |
| 22            | 401600153  |
| 23            | 401500500  |
| 24            | 402593001  |
| 25            | 401515210  |
| 26            | 401600100  |
| 27            | 500800013  |
| 28            | 401600130  |
| 29            | 408706103  |
| 30            | 450180013  |
| 31            | 900100807  |
| 32            | 450900806B |
| 33            | 450600211  |



E-12

do 10-2012 - od S.C.: 12020053

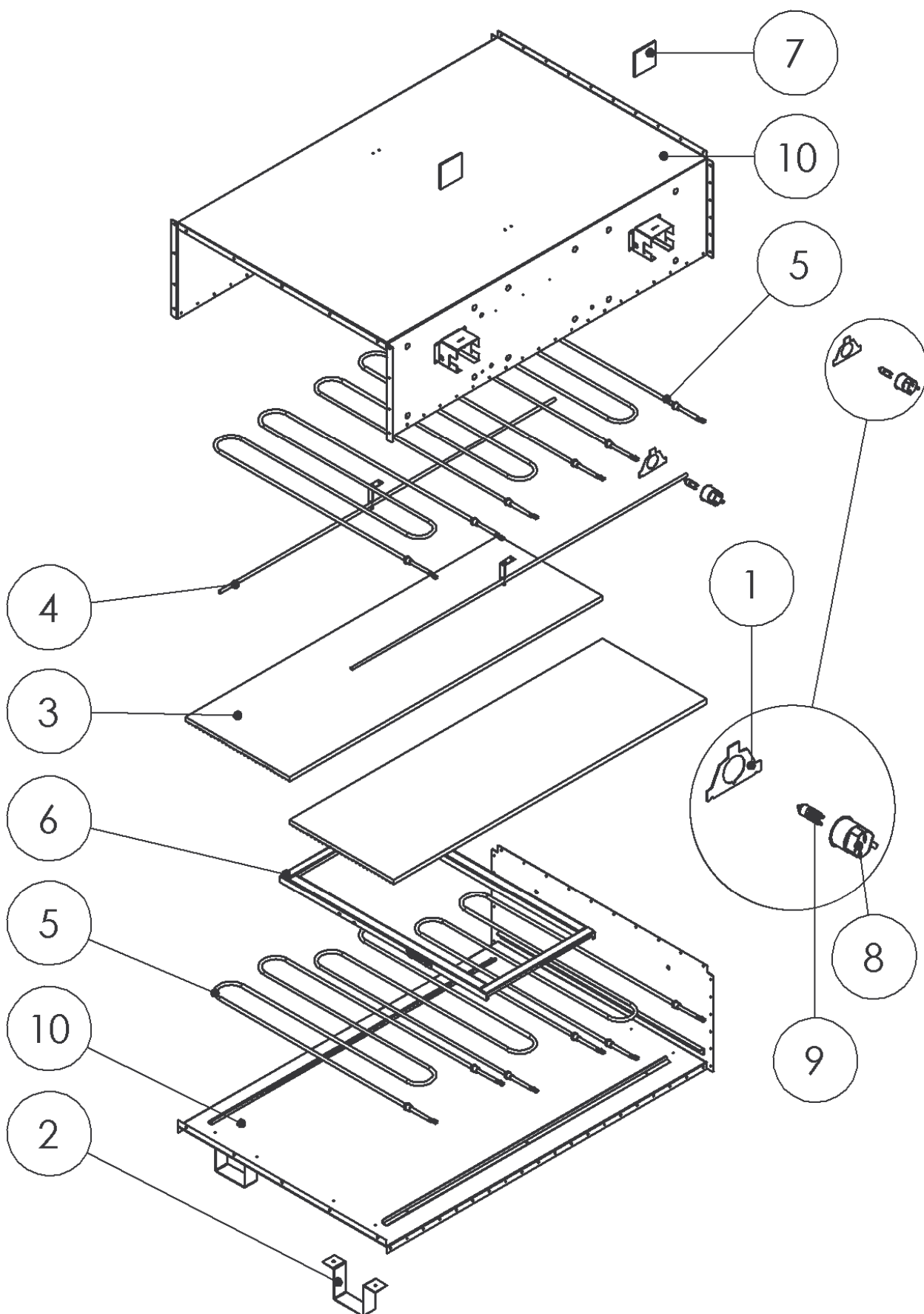


**E-12****do 10-2012 - od S.C.: 12020053**

| <b>E-12</b>   |            |
|---------------|------------|
| <b>Pozice</b> | <b>Kód</b> |
| 1             | ND-A       |
| 2             | 401600100  |
| 3             | 402593001  |
| 4             | 401515210  |
| 5             | 401500500  |
| 6             | 401600130  |
| 7             | 408706103  |
| 8             | 401600160  |
| 9             | 402503202  |
| 10            | 500800014  |
| 11            | 500800013  |
| 12            | 900100807  |
| 13            | 450600211  |
| 14            | 450600205  |
| 15            | 450400812  |
| 16            | 450400813  |
| 17            | 450800015  |
| 18            | 450800016  |
| 19            | 450800017  |
| 20            | 450800012  |
| 21            | 450180013  |
| 22            | 500400818  |
| 23            | 450400807  |
| 24            | 450800008  |
| 25            | 450800009  |
| 26            | 450900806  |
| 27            | 450180006  |
| 28            | 450400024  |



E-12\_ND-A  
od 10-2012

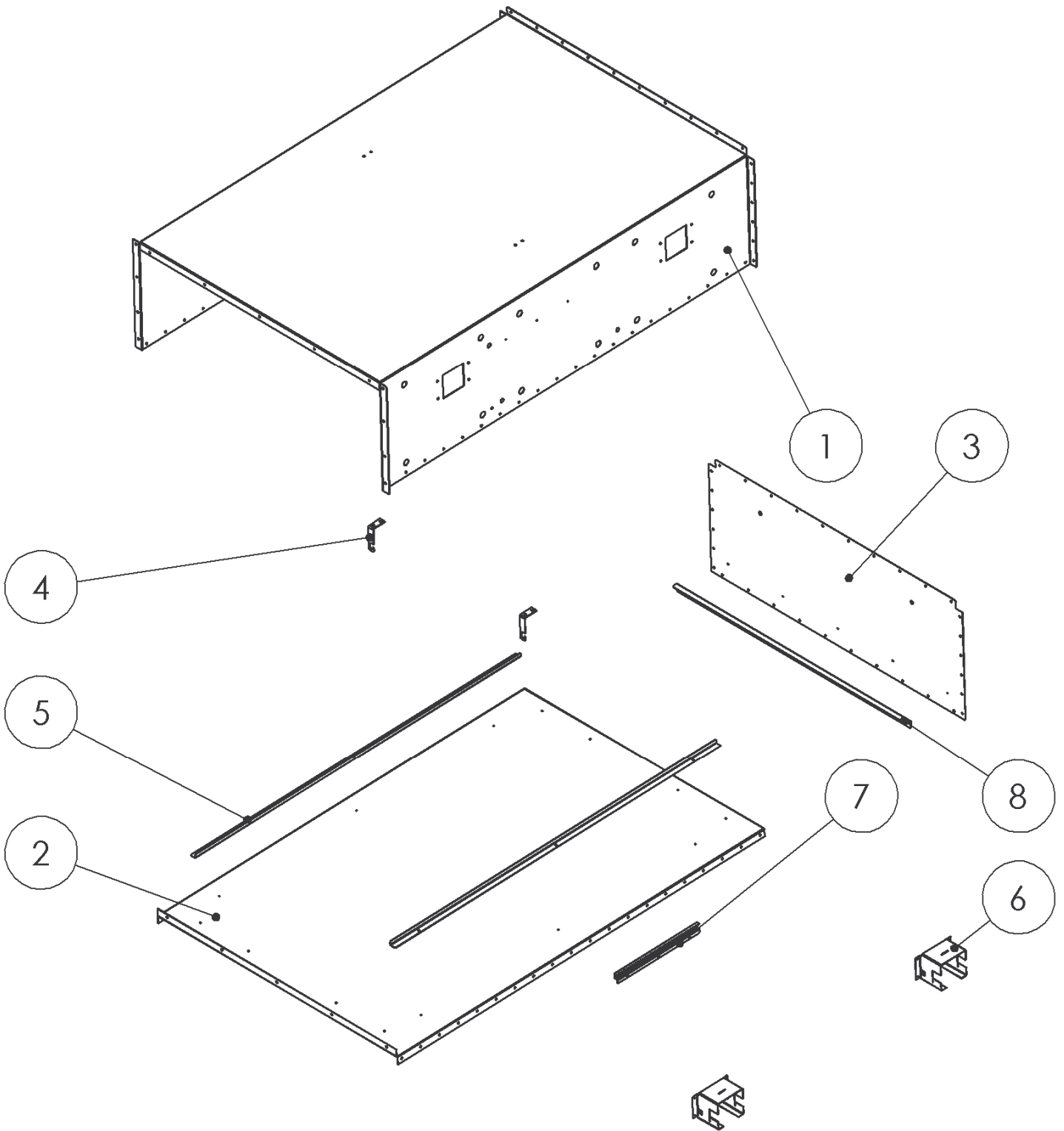


**E-12\_ ND-A**  
**od 10-2012**

| <b>E-12_ ND-A</b> |            |
|-------------------|------------|
| <b>Pozice</b>     | <b>Kód</b> |
| 1                 | 450400817  |
| 2                 | 450400805  |
| 3                 | 407600103  |
| 4                 | 500900822  |
| 5                 | 401024150  |
| 6                 | 500600219  |
| 7                 | 407860006  |
| 8                 | 401600110  |
| 9                 | 401600120  |
| 10                | ND-B       |



E-12\_500600202 (ND-B)  
od 10-2012





**E-12\_500600202 (ND-B)**  
**od 10-2012**

| E-12_ND-B |           |
|-----------|-----------|
| Pozice    | Kód       |
| 1         | 450600202 |
| 2         | 450600208 |
| 3         | 450400801 |
| 4         | 450900821 |
| 5         | 450900822 |
| 6         | 450400816 |
| 7         | 450400814 |
| 8         | 450600203 |