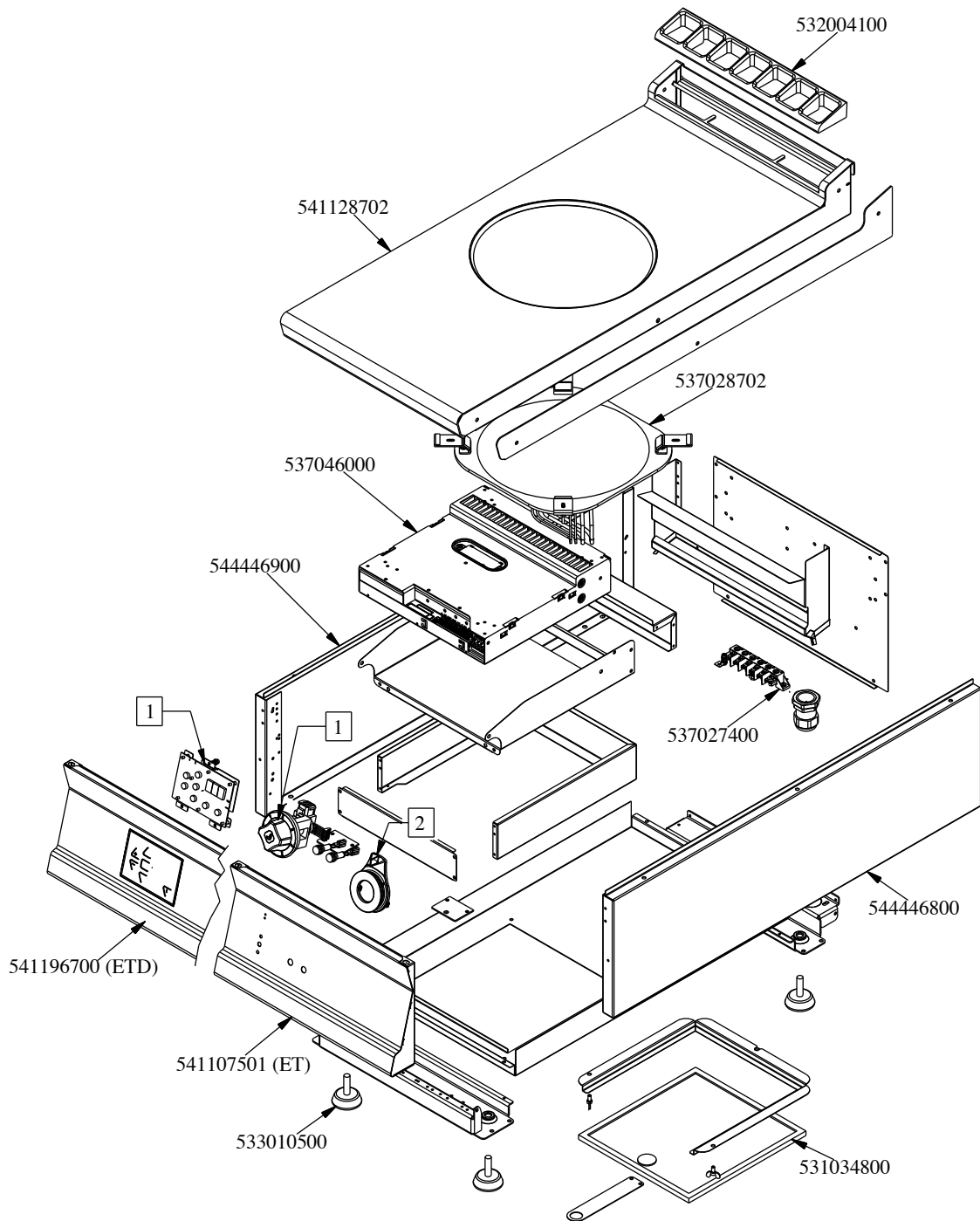


PCIWT-94ETD

2021_11

1





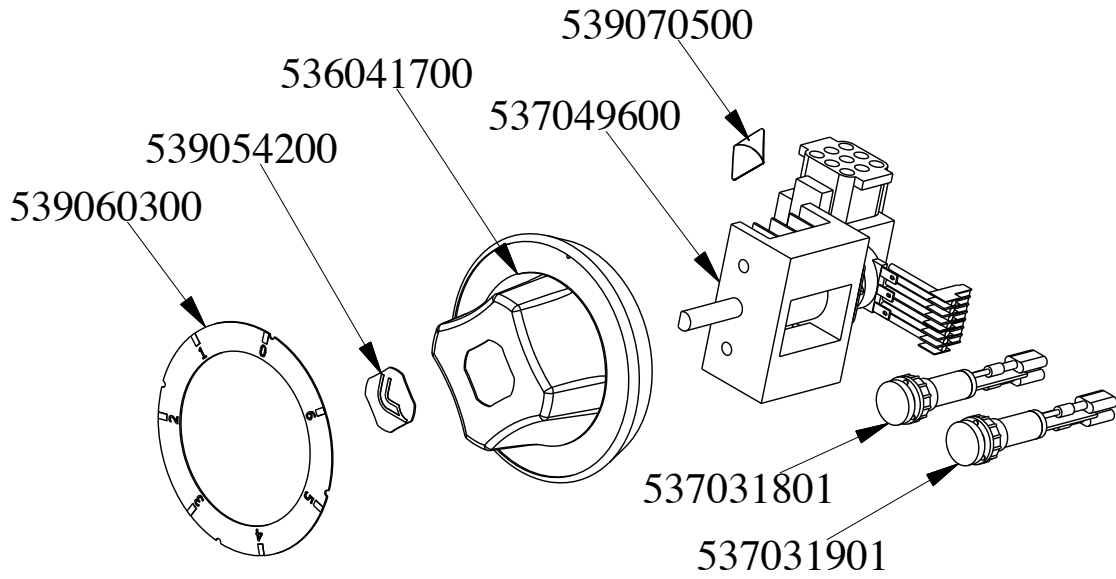
PCIWT-94ETD

2021_11

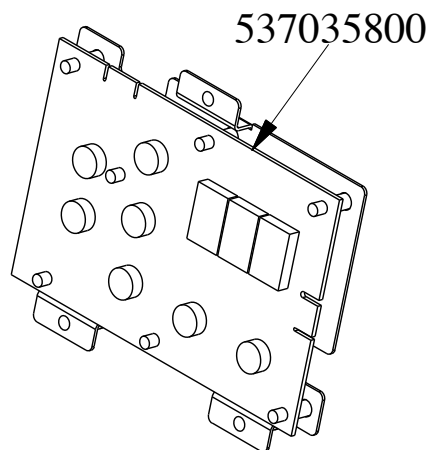
1

Kod	Nazev
541128702	UPPER PLATE S90 PCIW-94E VC
532004100	FLUE GRID L=370 90LINE (RAF)
544446800	FIANCO APP.S90T DX
537027400	TERMINAL BLOCK THREEPHASE 40A
537028702	INDUCTANCE PCI WOK
537046000	GENERATOR PCI WOK 5KW 400V3 (C)
544446900	LHD SIDE FOR 90T APPLIANCES
541196700	CONTROL PANEL S607090 PCIW-74ETD V
533010500	LEG M10*25 D.40
531034800	NET FILTER FOR KSK

(ET)



(ETD)





PCIWT-94ETD

2021_11

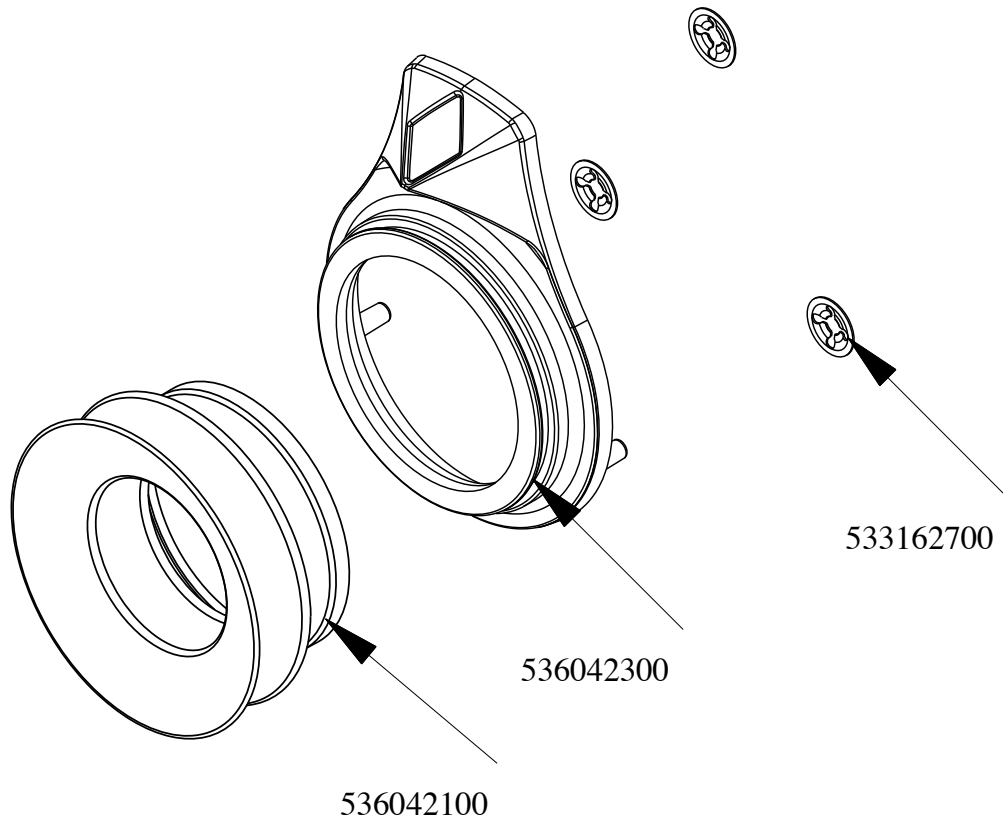
2

Kod	Nazev
539060300	RED ADESIVE DISK FOR PCC/PCI-E
539054200	STAMP Ø20,5 CR."L" LOTUS R.
536041700	SILVER CHROM. KNOB Ø77 4P.G.Ø06X4,6
537049600	COMPLETE CONTROL FOR INDUCTORS
539070500	ADHES.LABEL FOR RING RED SIGN.
537031801	GREEN WARNING LIGHT 12V E FASTON
537031901	RED WARNING LIGHT PCI 12V E FASTON
537035800	TOUCH ELECTRONIC BOARD FOR PCI

PCIWT-94ETD

2021_11

3





PCIWT-94ETD

2021_11

3

Kod	Nazev
536042300	SILVER CHROM. RING FOR KNOB Ø77 4 P
536042100	SEAL CASING FOR KNOB Ø77 4 P
533162700	PROCESSING CODE