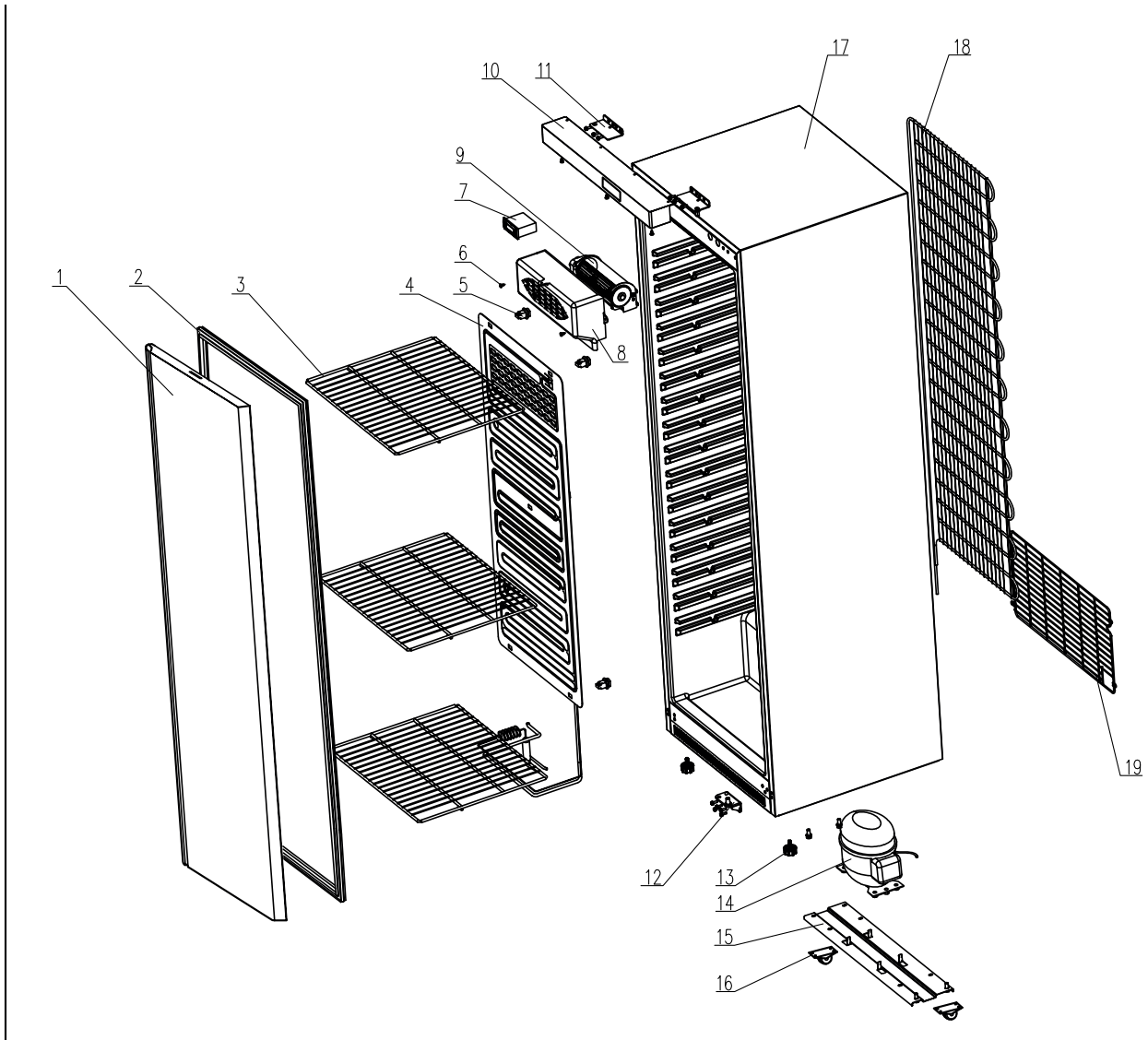


DR 600 S
2020_04



DR 600 S
2020_04

Pozice	Název	Kód
1	FOAMING DOOR	DR60.01
2	door gasket	DR60.02
3	shelves	DR60.03
4	evaporator	DR60.04
5	evaporator fixing end	DR20.05
6	SCREWS	
7	controller	
8	FAN COVER	DR20.06
9	FAN	
10	FRONT PANEL	DR60.05
11	TOP HINGE	DR20.08
12	bottom hinge	DR20.09
13	adjustable feet	
14	compressor EMBRACO NLL200A	
15	BOARD OF CONDENSER UNIT	DR60.06
16	small caster	
17	foaming body	DR60.07
18	Wire tube condenser	DR60.08
19	MOTER UNIT BACK NET	DR60.09