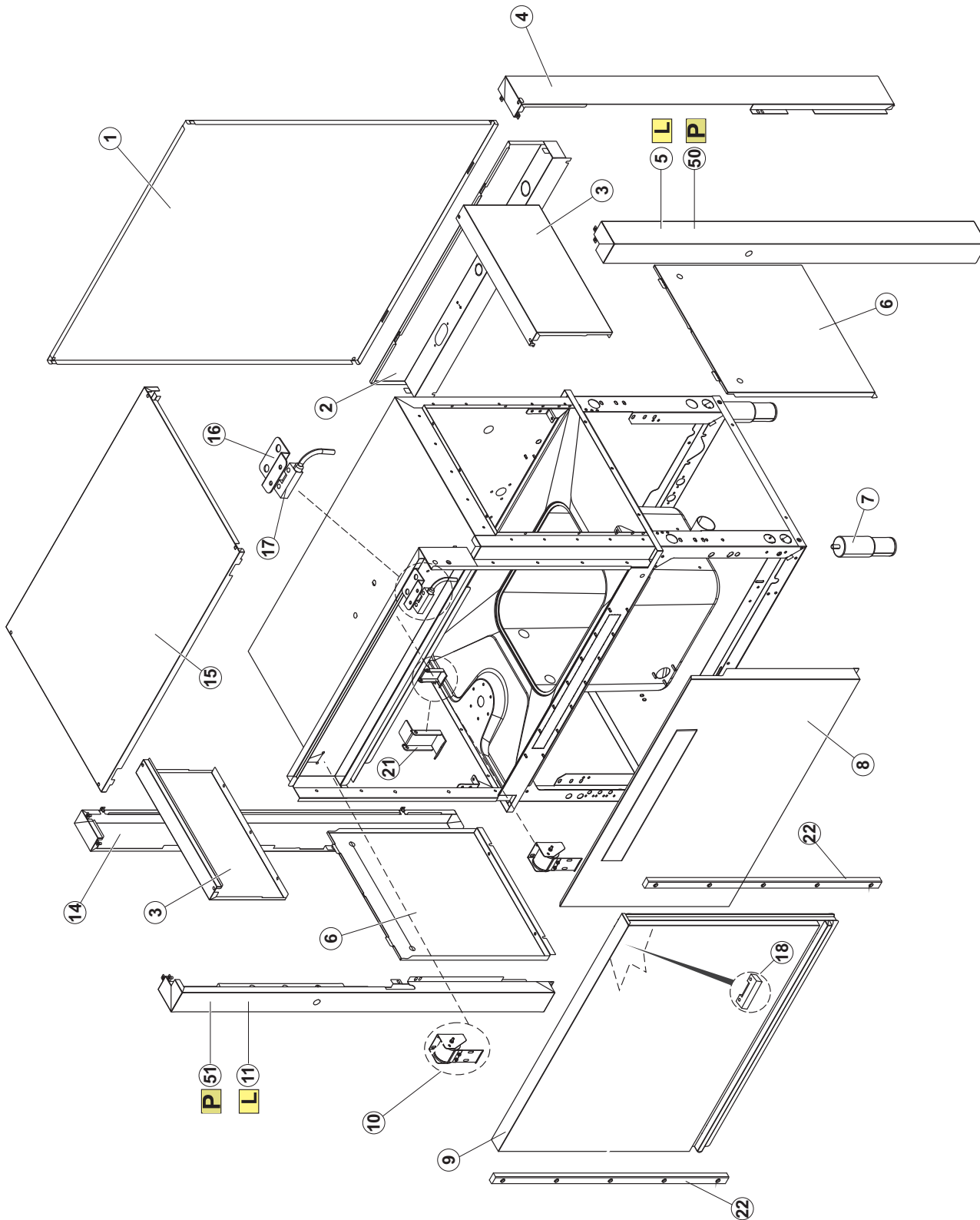


Rozkres



A 200 ABT LX, A 200 ABT RX, A 200 W ABT LX, A 200 W ABT RX

ROZKRES 1/10



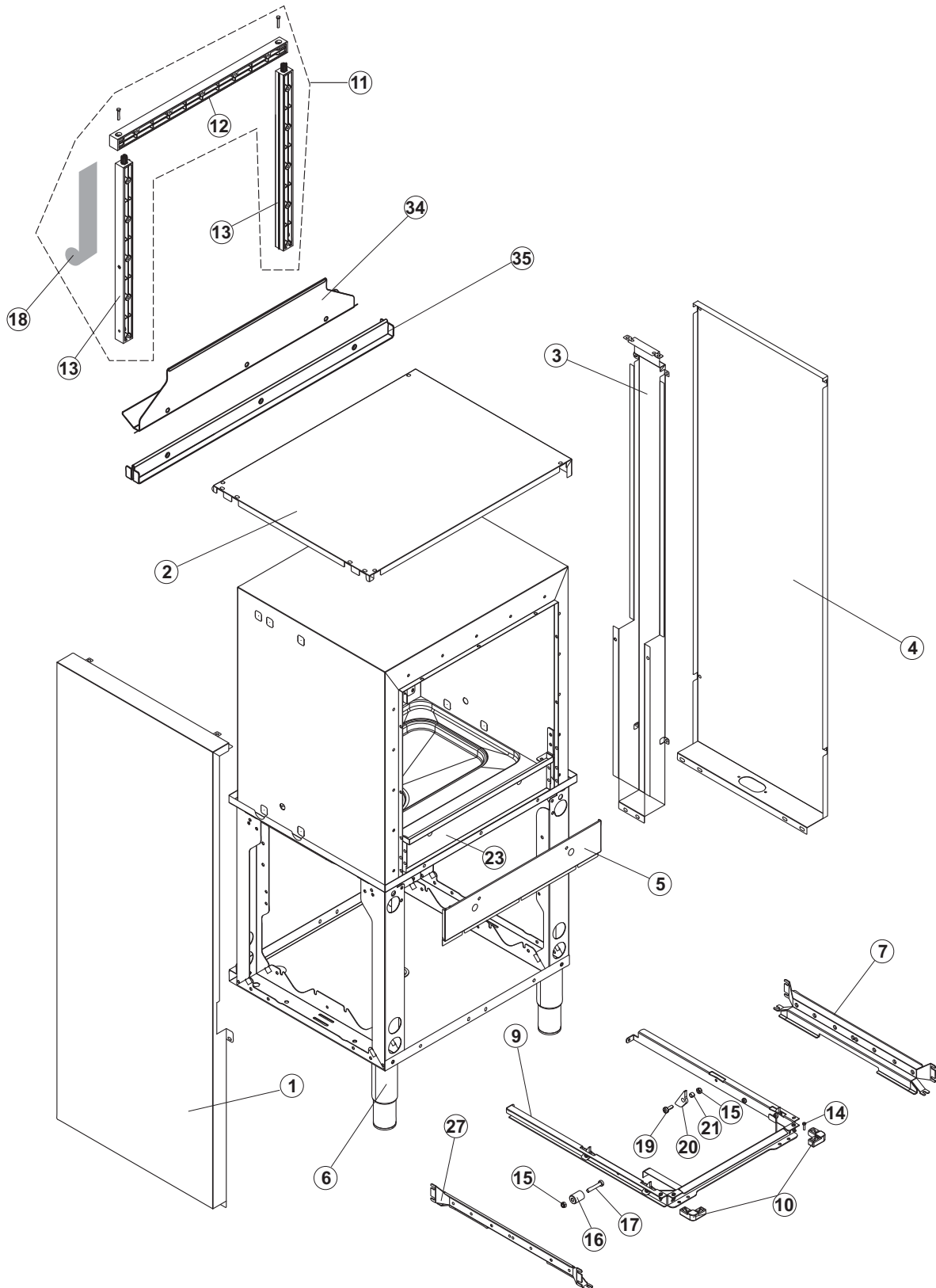
| | | |
|----------|--|---------------|
| L | | Výstup vlevo |
| P | | Výstup vpravo |

Rozkres

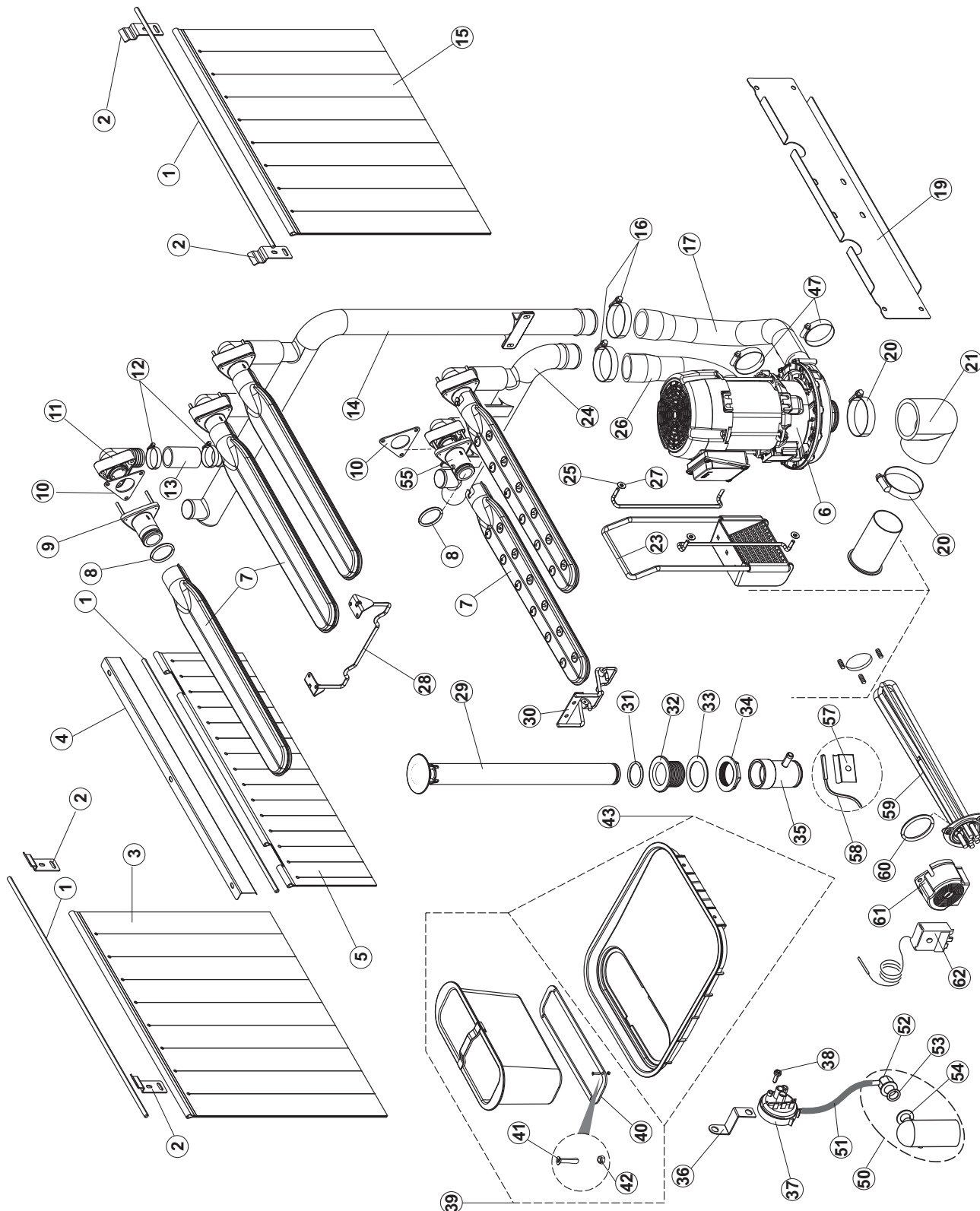


A 200 ABT LX, A 200 ABT RX, A 200 W ABT LX, A 200 W ABT RX

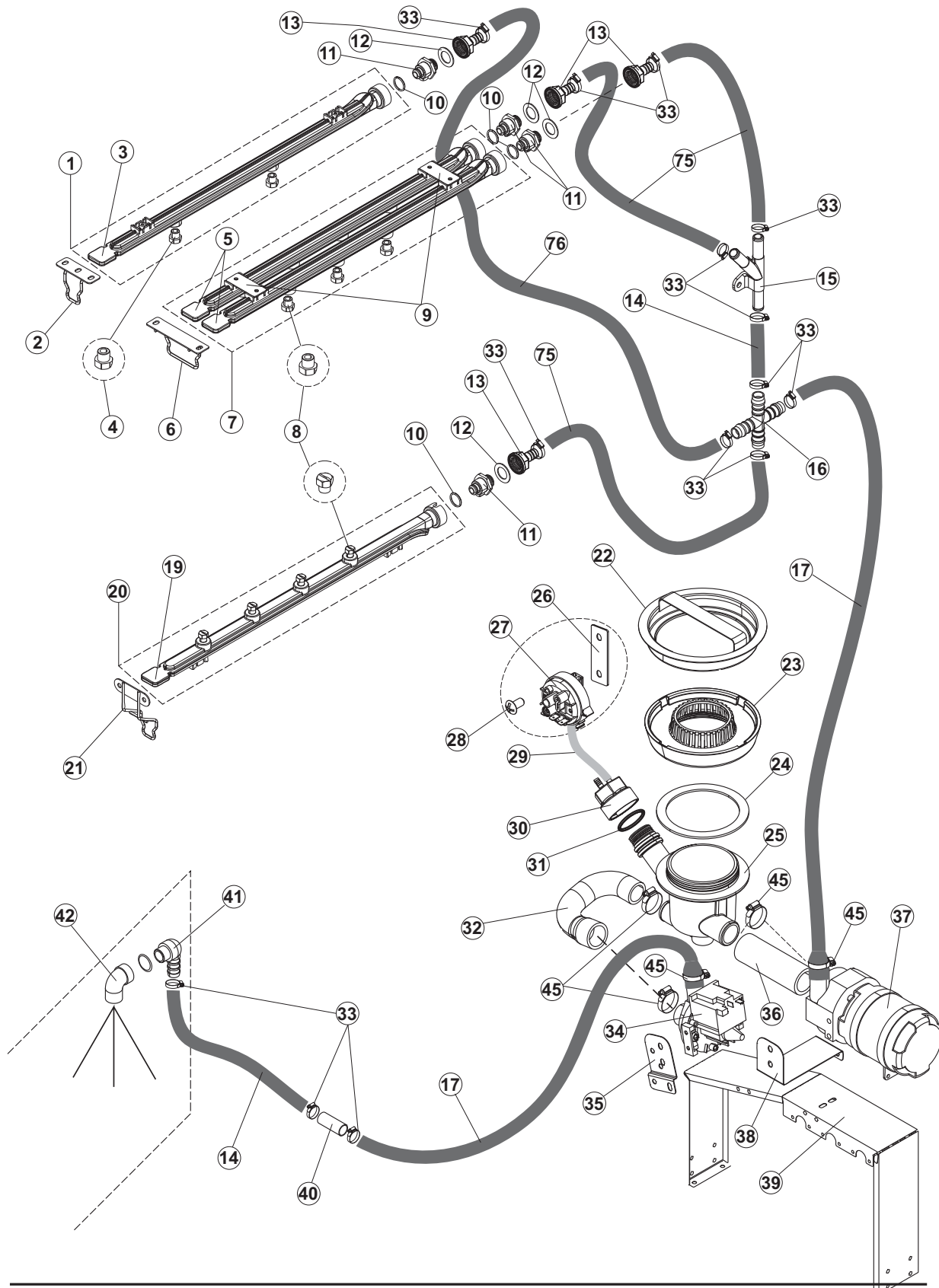
ROZKRES 2/10



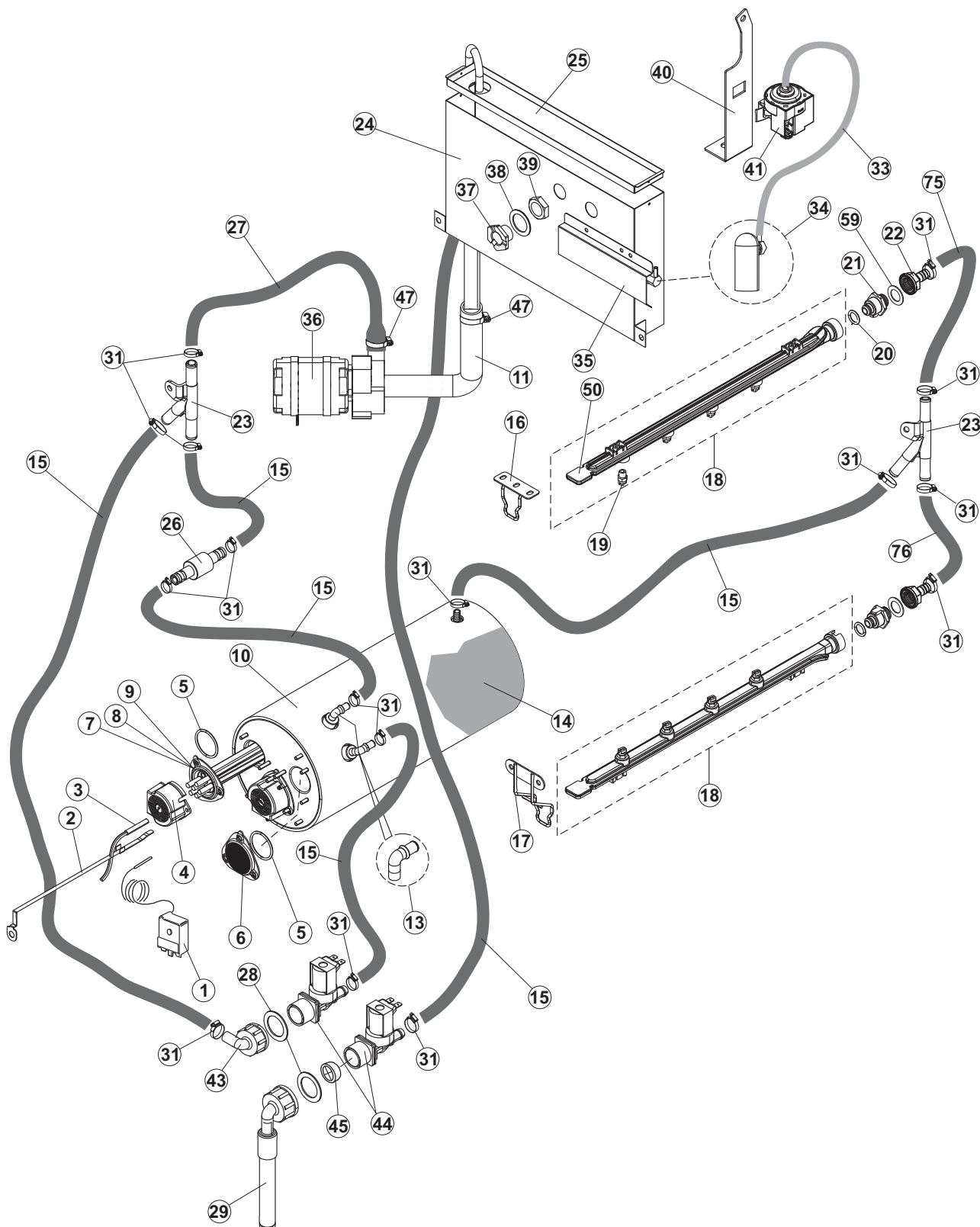
ROZKRES 3/10



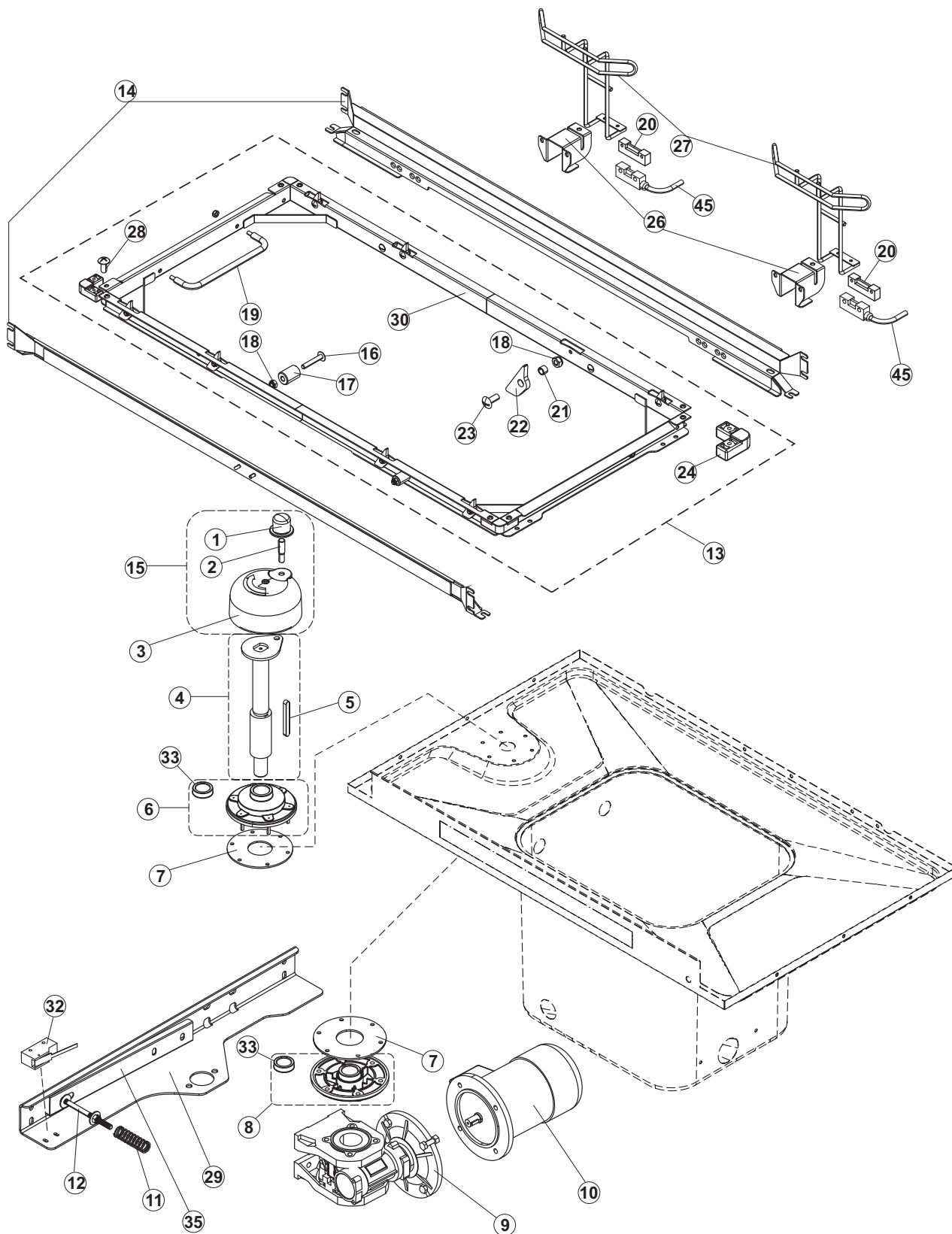
ROZKRES 4/10



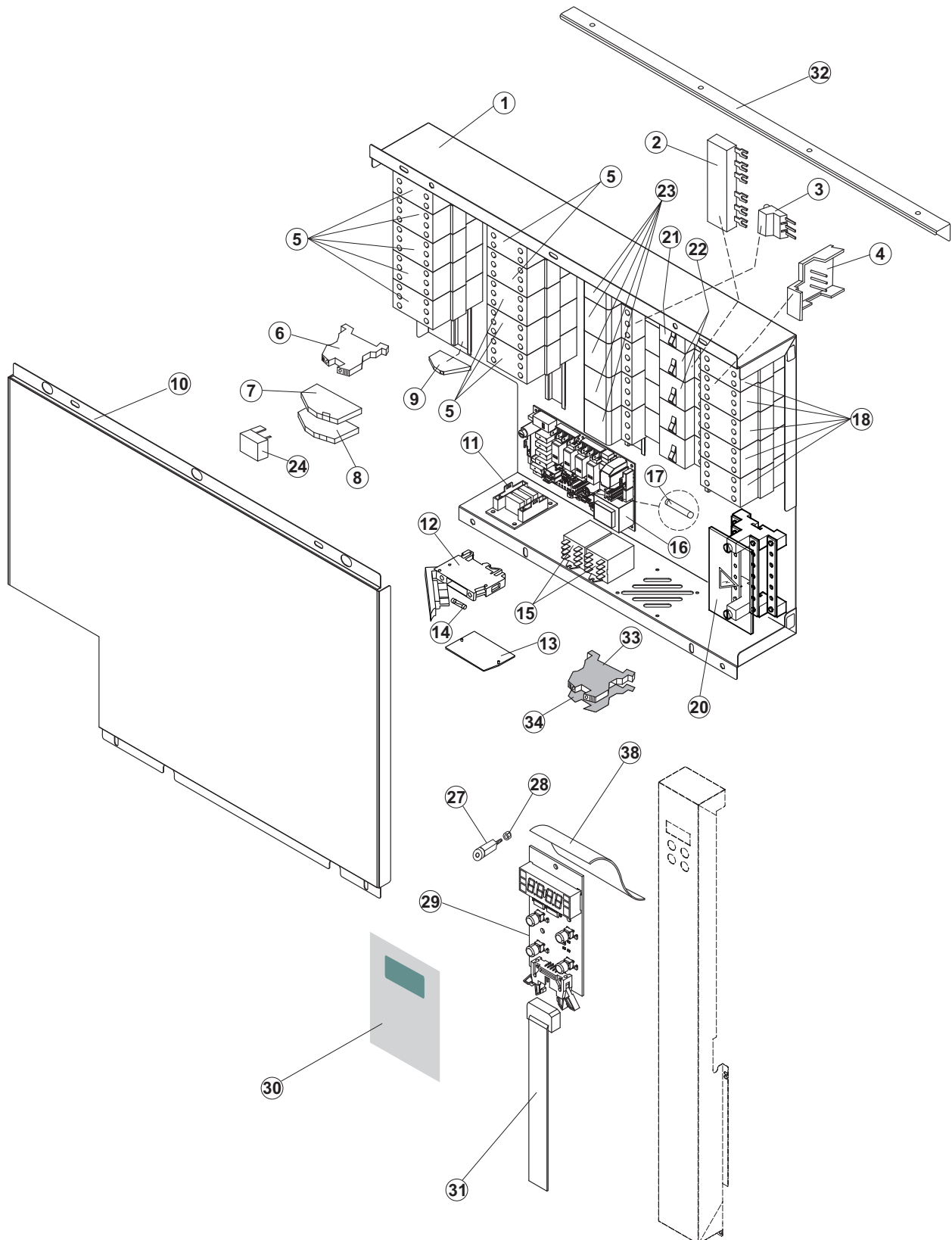
ROZKRES 5/10



ROZKRES 6/10



ROZKRES 7/10

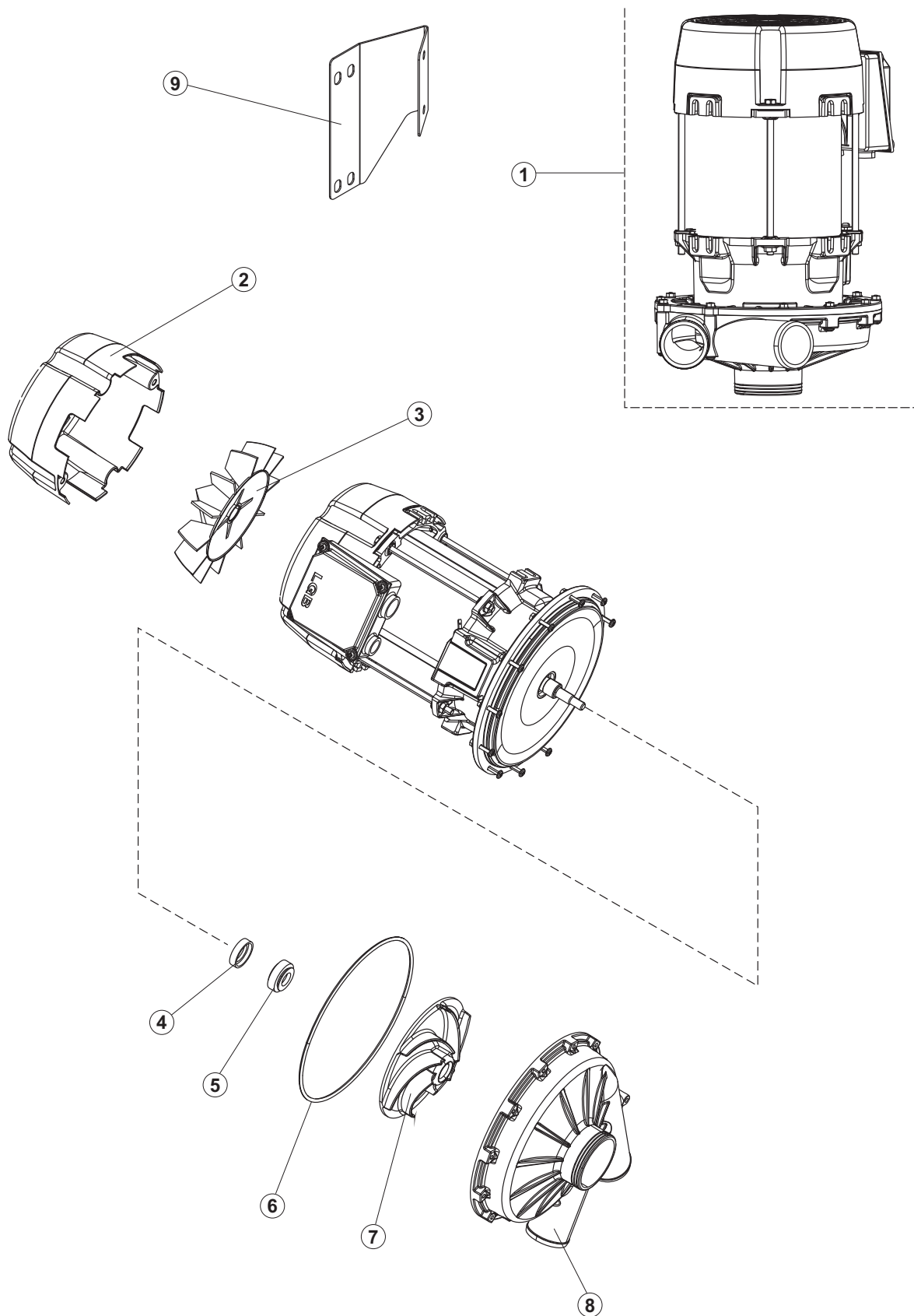


Rozkres

A 200 ABT LX, A 200 ABT RX, A 200 W ABT LX, A 200 W ABT RX



ROZKRES 8/10

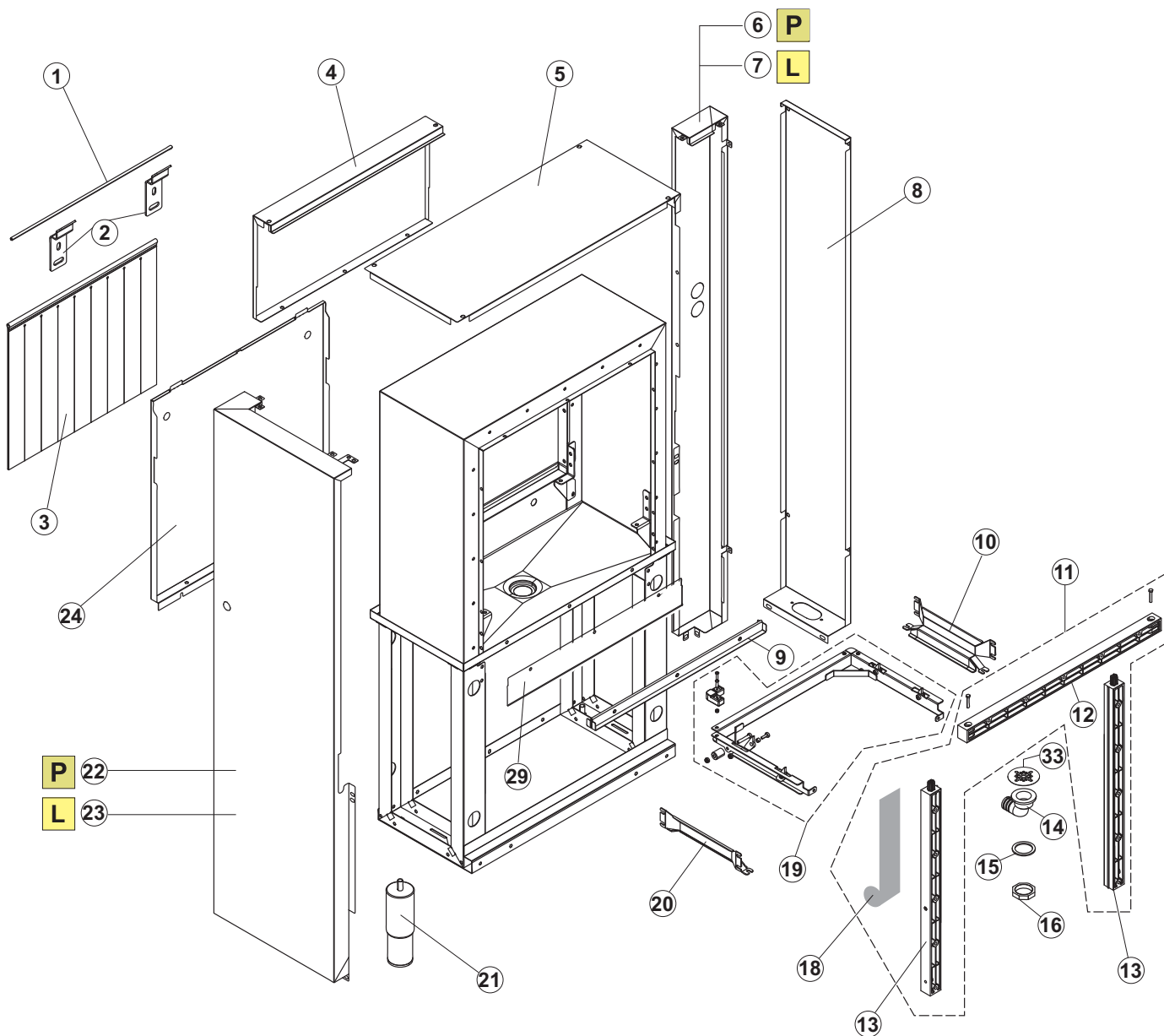


Rozkres



A 200 ABT LX, A 200 ABT RX, A 200 W ABT LX, A 200 W ABT RX

ROZKRES 9/10



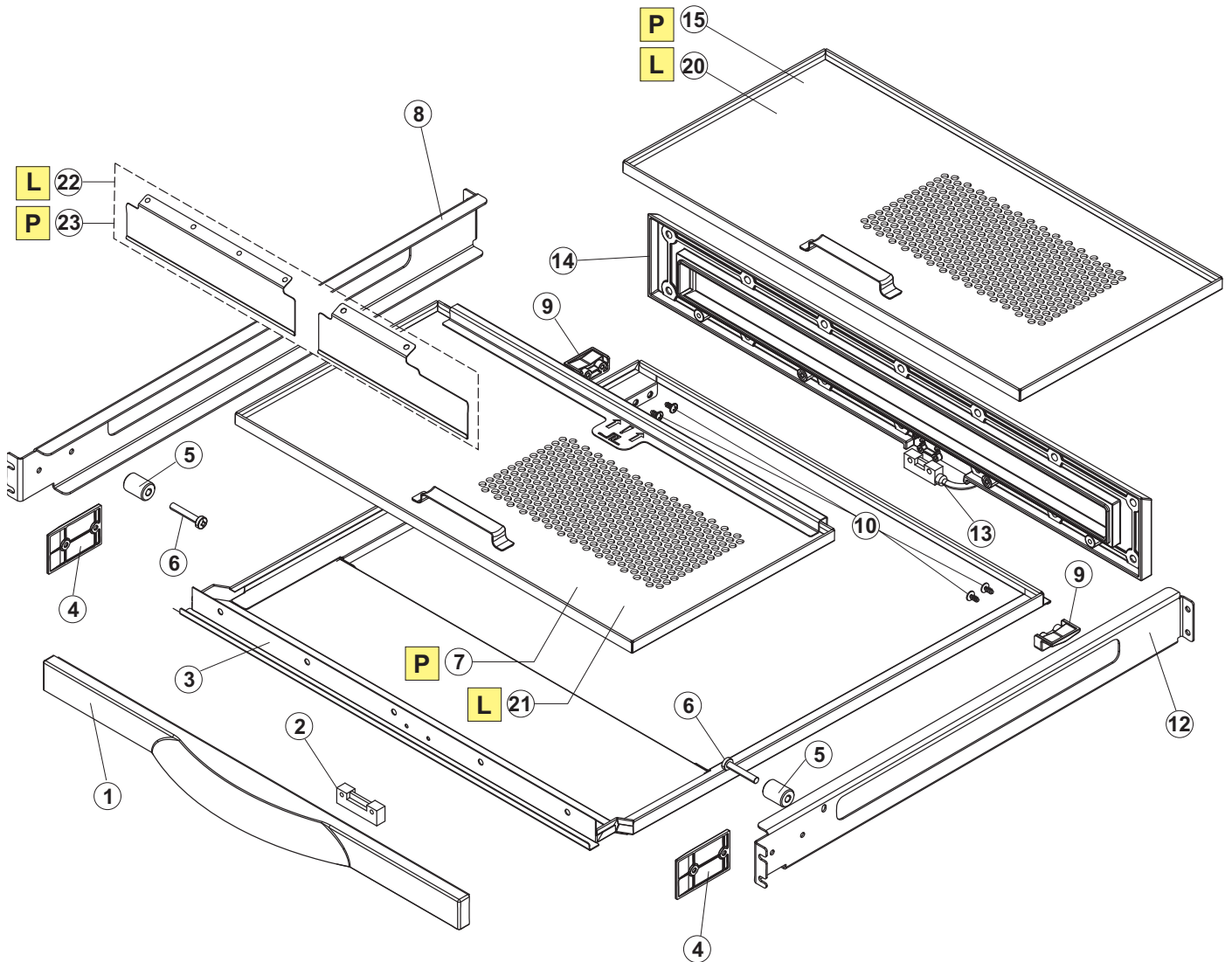
| | | |
|----------|--|---------------|
| L | | Výstup vlevo |
| P | | Výstup vpravo |

Rozkres



A 200 ABT LX, A 200 ABT RX, A 200 W ABT LX, A 200 W ABT RX

ROZKRES 10/10



| | | |
|---|--|---------------|
| L | | Výstup vlevo |
| P | | Výstup vpravo |

| ROZKRES | POZICE | POLOŽKA | ČÍSLO |
|---------|--------|--|--------|
| 1 | 1 | NOT IN PRICE-LIST | 65244 |
| 1 | 2 | BACK PANEL | 65080 |
| 1 | 3 | FRONT PANEL | 65035 |
| 1 | 4 | CORNER REAR RIGHT PANEL | 65258 |
| 1 | 5 | RIGHT CORNER CONTROL PANEL | 65331 |
| 1 | 6 | SIDE PANEL | 65054 |
| 1 | 7 | FOOT | 73100 |
| 1 | 8 | FRONT PANEL | 65287 |
| 1 | 9 | KIT DOOR WASH UNIT | K65282 |
| 1 | 10 | DOOR SPRING KIT | 65654 |
| 1 | 11 | CORNER FRONT RIGHT PANEL | 65338 |
| 1 | 14 | CORNER REAR LEFT PANEL | 65259 |
| 1 | 15 | TOP PANEL | 65050 |
| 1 | 16 | BRACKET | 65256 |
| 1 | 17 | MAGNETIC DOOR SWITCH | 80871 |
| 1 | 18 | MAGNET FOR HOOD MICROSWITCH | 927088 |
| 1 | 21 | DOOR SAFETY HOOK FOR RACK-CONVEYOR | 75064 |
| 1 | 22 | SLIDES CONVEYOR DOOR | 75647 |
| 1 | 50 | SUPPORTING UPRIGHT | 65337 |
| 1 | 51 | NOT IN PRICE-LIST | 65231 |
| 2 | 1 | NOT IN PRICE-LIST | 65096 |
| 2 | 2 | TOP PANEL | 65541 |
| 2 | 3 | NOT IN PRICE-LIST | 65618 |
| 2 | 4 | NOT IN PRICE-LIST | 65081 |
| 2 | 5 | LOWER ESTERNAL FRONT PANEL - FINISHED | 75307 |
| 2 | 6 | FOOT | 73100 |
| 2 | 7 | RACK SLIDE | 65052 |
| 2 | 9 | TOWING RACK | 65370 |
| 2 | 10 | SLED CART TOWING | 75075 |
| 2 | 11 | KIT GROUP FRAME JUNCTION TOWING MODULE | K65049 |
| 2 | 12 | HORIZONTAL BAR | 65047 |
| 2 | 13 | VERTICAL L BAR | 65045 |

| ROZKRES | POZICE | POLOŽKA | ČÍSLO |
|---------|--------|--|-----------|
| 2 | 14 | STAINLESS STEEL SCREW 4MAX10 TBCR-SP | 486169 |
| 2 | 15 | NUT - SELF-LOCK | CDI206AU |
| 2 | 16 | BUFFER FOR DRIVE STOP | 75076 |
| 2 | 17 | SCREW | 75310 |
| 2 | 18 | GASKET | 65997 |
| 2 | 19 | SCREW, INOX SPEC.6MAX16 T.1/2 T. POELIER | CVI172 |
| 2 | 20 | RACK CONVEYOR COG | 75071 |
| 2 | 21 | BUSH | 75077 |
| 2 | 23 | INNER LOWER FRONT PANEL - FINISHED PART | 65308 |
| 2 | 27 | RACK SLIDE | 65052 |
| 2 | 34 | NOT IN PRICE-LIST | 65646 |
| 2 | 35 | BRACKET UNION TANKS | 65055 |
| 3 | 1 | CURTAIN SUPPORT FOR RACK-CONVEYOR DISH- | 75124 |
| 3 | 2 | SUPPORT BRACKET | 65128 |
| 3 | 3 | CURTAIN | 65210 |
| 3 | 4 | CURTAIN SUPPORTING BRACKET | 65162 |
| 3 | 5 | CURTAIN | 65211 |
| 3 | 6 | WASHPUMP | 65600 |
| 3 | 7 | COMPLETE WASH ARM | 65265 |
| 3 | 8 | O-RING | CGR4131NT |
| 3 | 9 | CONNECTING ARM | 75645 |
| 3 | 10 | GASKET | 437050 |
| 3 | 11 | PIPE FITTING | 75155 |
| 3 | 12 | NOT IN PRICE-LIST | CFS32 |
| 3 | 13 | DELIVERY WASH HOSE | 75154 |
| 3 | 14 | PIPE | 65177 |
| 3 | 15 | CURTAIN | 65210 |
| 3 | 16 | CLAMP, TORRO W1/W2B 50-70/12 | CFS2 |
| 3 | 17 | PIPE | 65624 |
| 3 | 19 | BRACKET | 65330 |
| 3 | 20 | CLAMP, HOSE-TYPE TORRO W2B 60-80/12 | CFS3 |
| 3 | 21 | PIPE ELBOW | 926056 |

| ROZKRES | POZICE | POLOŽKA | ČÍSLO |
|---------|--------|---|--------------|
| 3 | 23 | PUMP ASPIRATION FILTER | 75661 |
| 3 | 24 | PIPE + PARZ.77018 | K65176 |
| 3 | 25 | ASPIRATION FILTER SLIDE | 42092 |
| 3 | 26 | PIPE | 65623 |
| 3 | 27 | WASHER | 472061 |
| 3 | 28 | BRACKET | 65293 |
| 3 | 29 | OVERFLOW PIPE | 75864 |
| 3 | 30 | SUPPORT BRACKET WASH ARM | 65212 |
| 3 | 31 | O-RING | CGR4131NT |
| 3 | 32 | DRAIN CONNECTION | 75871 |
| 3 | 33 | GASKET | 75873 |
| 3 | 34 | NUT WASTE DRAIN | 75872 |
| 3 | 35 | DRAIN FITTING (PLASTIC) | 75639 |
| 3 | 36 | NOT IN PRICE-LIST | DAS20206 |
| 3 | 37 | PRESSURE SWITCH | 926049 |
| 3 | 38 | SCREW | CVZ4 |
| 3 | 39 | COLLECTING FILTER WITH WEIGHT | 75429 |
| 3 | 40 | WEIGHT FOR BASKET STAINER | 75428 |
| 3 | 41 | SCREW, INOX 4MAX10 TC/CROSS | CVI1101 |
| 3 | 42 | NUT - SELF-LOCK | 417091 |
| 3 | 43 | TANK FLAT STAINLESS STEEL FILTER | 65200 |
| 3 | 47 | HOSE CLAMP | CFS1A |
| 3 | 50 | AIR TRAP, ASSY | 984005 |
| 3 | 51 | LINEN RUBBER PIPE 5X12 - BLACK | 143005 |
| 3 | 52 | AIR TRAP CONNECTION OF PRESSURE SWITCH | 468029 |
| 3 | 53 | O-RING | 456020 |
| 3 | 54 | PACKING FOR AIR TRAP OF PRESSURE SWITCH | 437019 |
| 3 | 55 | CONNECTING ARM | 75648 |
| 3 | 57 | SUPPORT TEMPERATURE PROBE | H.775489-001 |
| 3 | 58 | TEMPERATURE PROBE | 231016 |
| 3 | 59 | HEATING ELEMENT 10500W 230/400V | 80397C |
| 3 | 60 | O-RING | 456002 |

| ROZKRES | POZICE | POLOŽKA | ČÍSLO |
|---------|--------|--|---------|
| 3 | 61 | BOILER HEATING ELEMENT PROTECTION | 69870 |
| 3 | 62 | THERMOSTAT | 927057 |
| 4 | 1 | RINSE ARM | 65787 |
| 4 | 2 | BRACKET | 65593 |
| 4 | 3 | RINSE ARM | 65515 |
| 4 | 4 | STAINLESS STEEL RINSE SPRAY NOZZLE | 77068 |
| 4 | 5 | RINSE ARM | 65523 |
| 4 | 6 | BRACKET | 65585 |
| 4 | 7 | RINSE ARM | 65784 |
| 4 | 8 | STAINLESS STEEL NOZZLE - FIRST RINSING | 927309 |
| 4 | 9 | BRACKET | 65527 |
| 4 | 10 | O-RING 2050 12.42X1.78 EPDM 70SH A | 65727 |
| 4 | 11 | BRACKET | 65015 |
| 4 | 12 | GASKET ES/AM VERDE 33X21X1,5 | 65749 |
| 4 | 13 | PIPE FITTING | 66945 |
| 4 | 14 | RUBBER PIPE 12X19,5 | 143010 |
| 4 | 15 | JUNCTION "Y" | 143268 |
| 4 | 16 | MAINFOLD | 77060 |
| 4 | 17 | RINSE DELIVERY TUBE(CRP) | 41525 |
| 4 | 19 | RINSE ARM | 65521 |
| 4 | 20 | RINSE ARM | 65785 |
| 4 | 21 | SUPPORT BRACKET RINSE ARM | 65588 |
| 4 | 22 | STAINER | 65975 |
| 4 | 23 | RING NUT | 429077 |
| 4 | 24 | GASKET | 437107 |
| 4 | 25 | ASPIRATION AND DRAIN BODY | 136029 |
| 4 | 26 | NOT IN PRICE-LIST | 20206PZ |
| 4 | 27 | PRESSURE SWITCH 140/95 | 65813 |
| 4 | 28 | SCREW | CVZ4 |
| 4 | 29 | PIPE | 143131 |
| 4 | 30 | AIR TRAP FOR PRESSURE SWITCH | 107013 |
| 4 | 31 | O-RING | 456073 |

| ROZKRES | POZICE | POLOŽKA | ČÍSLO |
|---------|--------|---|---------|
| 4 | 32 | DRAIN HOSE | 127115 |
| 4 | 33 | HOSE CLAMP | 927322 |
| 4 | 34 | DRAIN PUMP90- V 220/240- F50 | 999363 |
| 4 | 35 | NOT IN PRICE-LIST | 65663 |
| 4 | 36 | NOT IN PRICE-LIST | 65805 |
| 4 | 37 | ELECTROPUMP | 929167 |
| 4 | 38 | NOT IN PRICE-LIST | 65667 |
| 4 | 39 | NOT IN PRICE-LIST | 65660UN |
| 4 | 40 | STEEL TUBE | 65806 |
| 4 | 41 | BRASS RUBBER-PIPE HOLDER CONNECTION 3/8 | 929163 |
| 4 | 42 | UNION ELBOW 3/8" AISI316 | 65876 |
| 4 | 45 | NOT IN PRICE-LIST | CFS32 |
| 4 | 75 | RINSE PIPE L 200 RACC 90 | 65747-A |
| 4 | 76 | RINSE PIPE L 580 RACC 90 | 65747-C |
| 5 | 1 | THERMOSTAT | 927057 |
| 5 | 2 | PROBE HOLDER | 69871 |
| 5 | 3 | TEMPERATURE PROBE | 231016 |
| 5 | 4 | BOILER HEATING ELEMENT PROTECTION | 69870 |
| 5 | 5 | O-RING | 456002 |
| 5 | 6 | CLOSED FLANGE CAP (170880543) | 926053 |
| 5 | 7 | HEATING ELEMENT 6KW | 230083C |
| 5 | 8 | KIT HEATING ELEMENTS REB230020 (8KW) | 230020C |
| 5 | 9 | READY-TO-ASSEMBLE KIT FOR HEATING | 80398C |
| 5 | 10 | BOILER | 65700 |
| 5 | 11 | PIPE | 65069 |
| 5 | 13 | PIPE FITTING | 65018 |
| 5 | 14 | COVER INSULATION | 65245 |
| 5 | 15 | RUBBER PIPE 12X19,5 | 143010 |
| 5 | 16 | BRACKET | 65582 |
| 5 | 17 | SUPPORT BRACKET RINSE ARM | 65588 |
| 5 | 18 | RINSE ARM | 65786 |
| 5 | 19 | STAINLESS STEEL RINSE SPRAY NOZZLE | 65950 |

| ROZKRES | POZICE | POLOŽKA | ČÍSLO |
|---------|--------|---|----------|
| 5 | 20 | O-RING 2050 12.42X1.78 EPDM 70SH A | 65727 |
| 5 | 21 | INTERNAL RINSE PIPE FITTING AISI303 | 65883 |
| 5 | 22 | PIPE FITTING | 66945 |
| 5 | 23 | JUNCTION "Y" | 143268 |
| 5 | 24 | BREAK TANK | 65388 |
| 5 | 25 | COVER | 65390 |
| 5 | 26 | FLOW REDUCER | 65607 |
| 5 | 27 | RINSE DELIVERY TUBE(CRP) | 41525 |
| 5 | 28 | GASKET | 437041 |
| 5 | 29 | INLET HOSE | 143277 |
| 5 | 31 | HOSE CLAMP | 927322 |
| 5 | 33 | PIPE | 143131 |
| 5 | 34 | AIR TRAP, ASSY | 984005 |
| 5 | 35 | SPLASH PROTECTION | 41059 |
| 5 | 36 | ELECTROPUMP | 929167 |
| 5 | 37 | RING NUT | 429036 |
| 5 | 38 | PACKING FOR DRAIN UNIT RING NUT (S6666) | 437025 |
| 5 | 39 | NUT - CHROMIUM PLATED | CDO134CR |
| 5 | 40 | NOT IN PRICE-LIST | 75621 |
| 5 | 41 | PRESSURE SWITCH | 224031 |
| 5 | 43 | PIPE CONNECTION | 927326 |
| 5 | 44 | SOLENOID VALVE | 240016 |
| 5 | 45 | FLOW REDUCER | 75976 |
| 5 | 47 | NOT IN PRICE-LIST | CFS32 |
| 5 | 50 | RINSE ARM | 65545 |
| 5 | 59 | GASKET ES/AM VERDE 33X21X1,5 | 65749 |
| 5 | 75 | RINSE PIPE L 200 RACC 90 | 65747-A |
| 5 | 76 | RINSE PIPE L 380 RACC 90 | 65747-B |
| 6 | 1 | WASHER | 75058 |
| 6 | 2 | PIVOT | 75234 |
| 6 | 3 | SPLASH PROTECTION | 75649 |
| 6 | 4 | GEAR SHAFT CONVEYOR | 65235 |

Rozkres



A 200 ABT LX, A 200 ABT RX, A 200 W ABT LX, A 200 W ABT RX

| Číslo produktu | Model produktu | Název produktu |
|----------------|----------------|---|
| 00010033 | A 200 ABT LX | Myčka tunelová 200 košů za hodinu na horkou vodu, výstup vlevo |
| 00014496 | A 200 ABT RX | Myčka tunelová 200 košů za hodinu na horkou vodu, výstup vpravo |
| 00013730 | A 200 W ABT LX | Myčka tunelová 200 košů za hodinu na studenou vodu, výstup vlevo |
| 00014494 | A 200 W ABT RX | Myčka tunelová 200 košů za hodinu na studenou vodu, výstup vpravo |