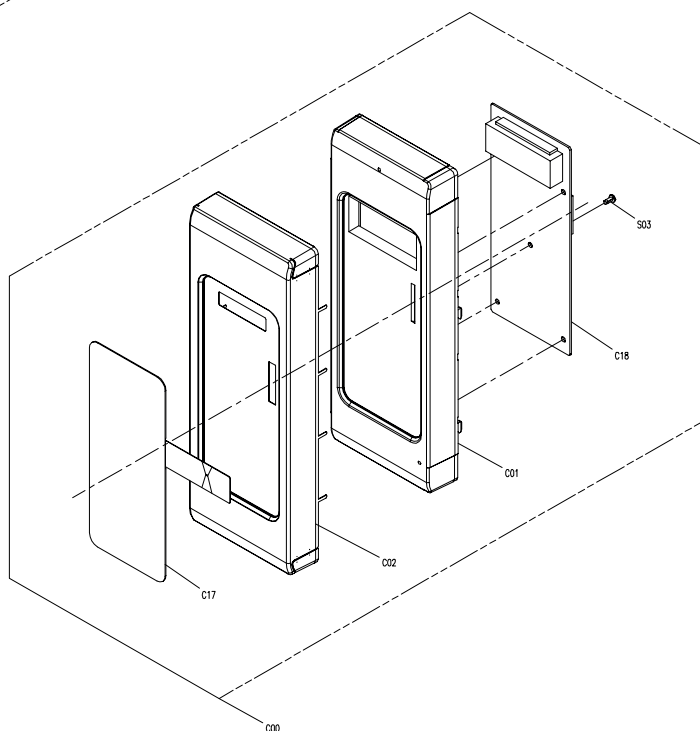
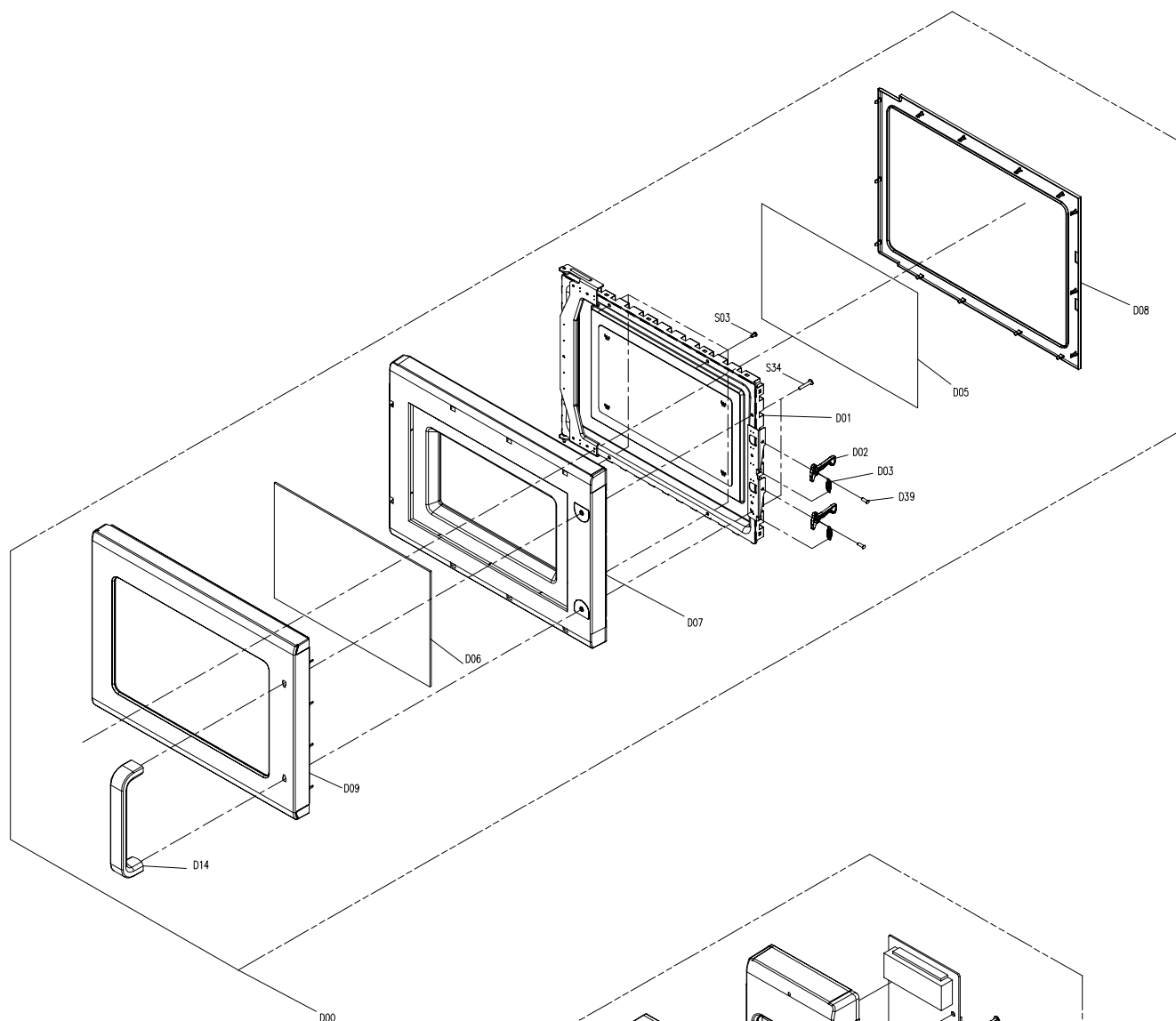


MWP_2152_35E2

2018_05



MWP_2152_35E2

2018_05

| | | | | | |
|-----|-----------------|----------------------------|------|---------------|-----------|
| Z41 | 灯座支架 | LAMP SOCKET BRACKET | 1 | | |
| Z39 | 塑料钉 | PLASTIC NAIL | 2 | | |
| Z38 | 隔板块 | SPACER | 1 | | |
| Z34 | 安装板 | MOUNTING PLATE | 1 | | |
| Z31 | 灯罩盖 | LAMP COVER | 1 | | |
| Z29 | 挡油板 | OIL BLOCKAGE | 1 | | |
| Z28 | 挡风板 | WIND PREVENTOR | 4 | | |
| Z26 | 防震垫 | VIBRATION ABSORBER | 1 | | |
| Z24 | 外罩 | OUT CASE | 1 | | |
| Z11 | 搅拌片 | STIRRER FAN | 2 | | |
| Z01 | 电容器夹 | HOLDER H.V.C | 2 | | |
| T14 | 置物架 | SHELF | 1 | | |
| T01 | 同步电机(转速电机) | TRAY MOTOR | 2 | | |
| W11 | 通风栅格 | VENT GRILLE | 1 | | |
| W08 | 上导风罩 | UPPER WIND GUIDE | 1 | | |
| W07 | 保护罩 | PROTECTOR COVER | 1 | | |
| W05 | 侧隔热板 | SIDE HEAT INSULATOR | 1 | | |
| W04 | 导风罩 | WIND GUIDE | 1 | | |
| W03 | 风扇电机 | FAN MOTOR | 1 | | |
| W02 | 扇叶 | FAN | 1 | | |
| W01 | 风扇支架 | FAN GUIDE | 1 | | |
| S23 | 十字槽螺钉CT4x6PBHC | SCREW CT4*6 PBHC | 3 | | |
| S21 | 弹簧垫圈 $\phi 4.1$ | SPRING WASHER $\phi 4.1$ | 1 | | |
| S20 | 垫圈 | WASHER | 1 | | |
| S18 | 十字槽螺钉ST4x6PBHC | SCREW ST4*6 PBHC | 4 | | |
| S15 | 螺母M5 | NUT M5 | 8 | | |
| S11 | 梅花槽螺钉CT4x10PBHC | TORX SCREW CT4x10PBHC | 2 | | |
| S07 | 十字槽螺钉CT4x8TBHC | SCREW CT4x8 TBHC | 19 | | |
| S05 | 十字槽螺钉ST4x12PBHC | SCREW ST4x12 PBHC | 13 | | |
| S04 | 十字槽螺钉ST4x10PBHC | SCREW ST4x10 PBHC | 31 | | |
| S01 | 十字槽螺钉CT3x8PBHC | SCREW CT3x8 PBHC | 4 | | |
| M06 | 滤网 | FILTER | 1 | | |
| M05 | 灯罩 | LAMP COVER | 2 | | |
| L08 | 下杠杆 | BOT LEVER | 1 | | |
| L07 | 上杠杆 | TOP LEVER | 1 | | |
| L05 | 线束 | MAIN HARNESS | 1 | | |
| L04 | 监控开关(微动开关) | MICROSWITCH MONITOR | 1 | | |
| L03 | 联锁开关(微动开关) | MICROSWITCH INTERLOCK | 4 | | |
| L00 | 联锁组件 | LATCH BRACKET ASS'Y | 1 | | |
| G09 | 上隔热板 | UPPER HEAT INSULATOR | 1 | | |
| E43 | 温控器 120/0 垂直 | THERMOSTAT 120/0 *V | 1 | | |
| E37 | 温控器 150/90 垂直 | THERMOSTAT 150/90 *V | 2 | | |
| E16 | 电源线 | POWER CORD | 1 | | |
| E13 | 灯泡 | LAMP | 1 | | |
| E11 | 保险管 | FUSE | 2 | | |
| E10 | 滤网板 | NOISE FILTER | 1 | | |
| E08 | 高压保险管 | H.V.FUSE | 2 | | |
| E07 | 高压二极管 | H.V.DIODE | 2 | | |
| E06 | 高压电容 | H.V.CAPACITOR | 2 | | |
| E05 | 高压变压器 | H.V.TRANSFORMER | 2 | | |
| E01 | 磁控管 | MAGNETRON | 2 | | |
| D00 | 炉门 | DOOR | 1 | | |
| C00 | 控制面板组件 | CONTROL PANEL ASS'Y | 1 | | |
| B02 | 炉脚垫块 | FOOT SUPPORT | 6 | | |
| B01 | 底板 | BASE PLATE | 1 | | |
| A14 | 挂钩 | HOOK | 6 | | |
| A13 | 温控器支架 | THERMOSTAT BRACKET | 2 | | |
| A09 | 内隔热组件 | INNER PROTECTOR PALTE ASSY | 1 | | |
| A07 | 电机支架 | MOTOR BRACKET | 1 | | |
| A03 | 后板 | BACK PLATE | 1 | | |
| A00 | 腔体组件 | CAVITY ASS'Y | 1 | | |
| No. | 零件名称 | Part Name | Qty. | 材料标记 Material | 备注 Remark |