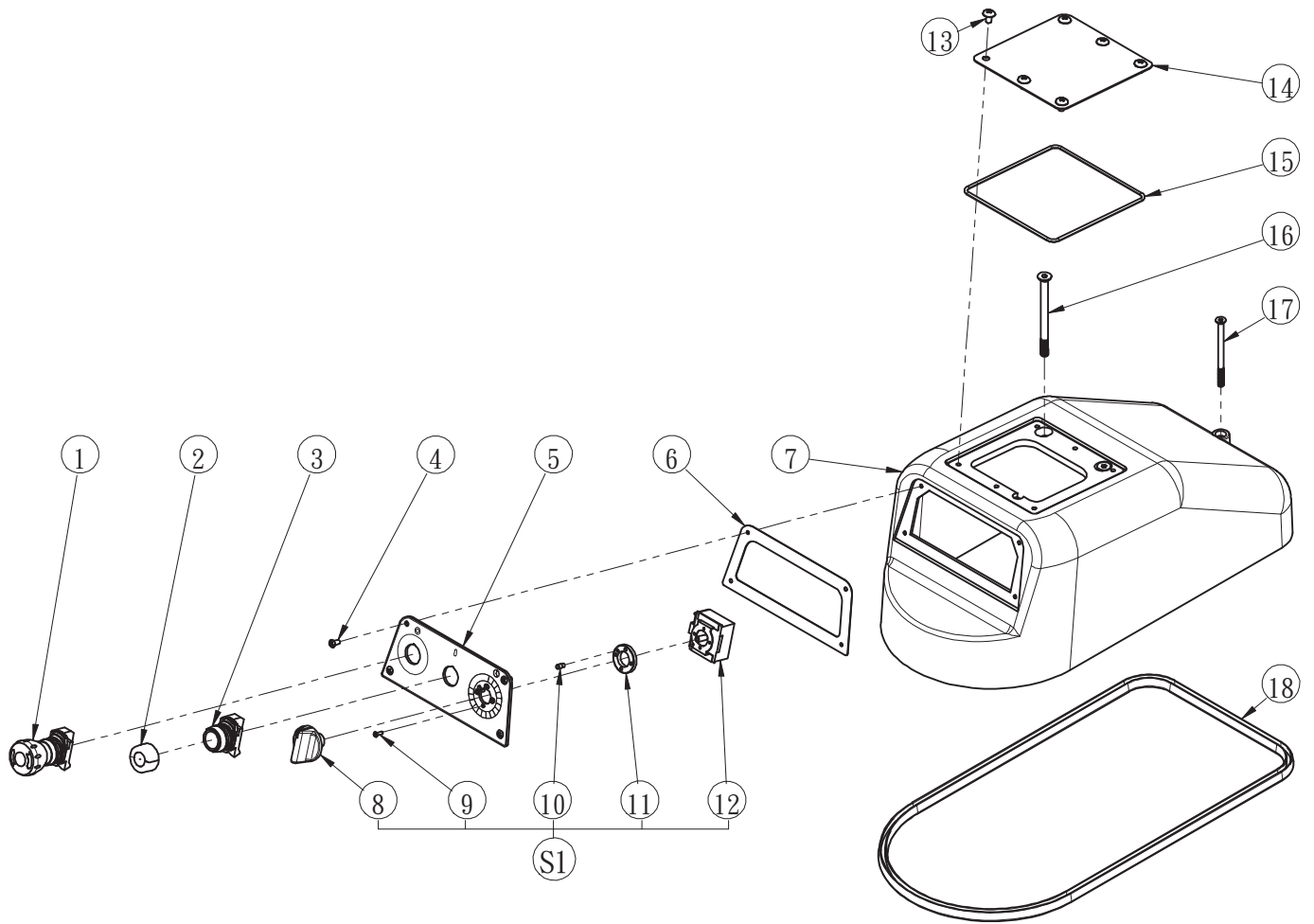




RM 30  
2019\_05



RM 30  
2019\_05



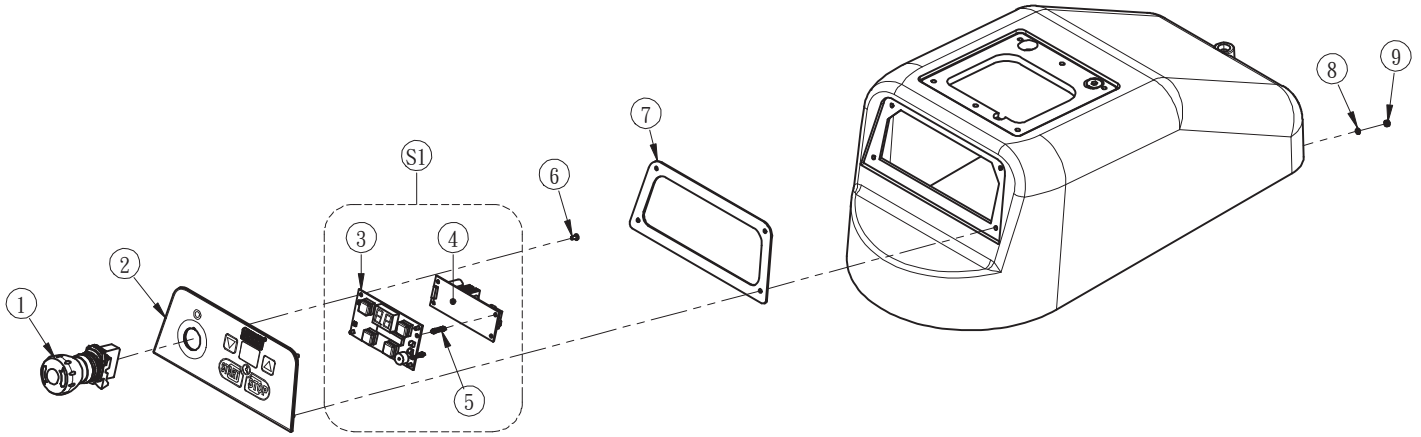


RM 30  
2019\_05

Pozice	Kód	Počet	Poznámka
1	J101-001	1	
2	200517	1	
3	J201-001	1	WITH LIGHT
	J202-001	1	WITHOUT LIGHT
4	30515	4	
5	PL02-B292	1	
6	30005-A	1	
7	30004	1	
S1	22008	1	ASSEMBLY PART
8	22008-2	1	
9	A104-A0605-A2/G1	4	
10	22008-3	1	
11	22008-1	1	
12	J301-001	1	
13	A106-A1105-D	6	
14	30002	1	
15	30003	1	
16	A108-A1331-C4	2	
17	A108-A1121-C4	1	
18	22004-2-SP30	1	PLEASE SPECIFY MODEL WHEN ORDERING



RM 30  
2019\_05



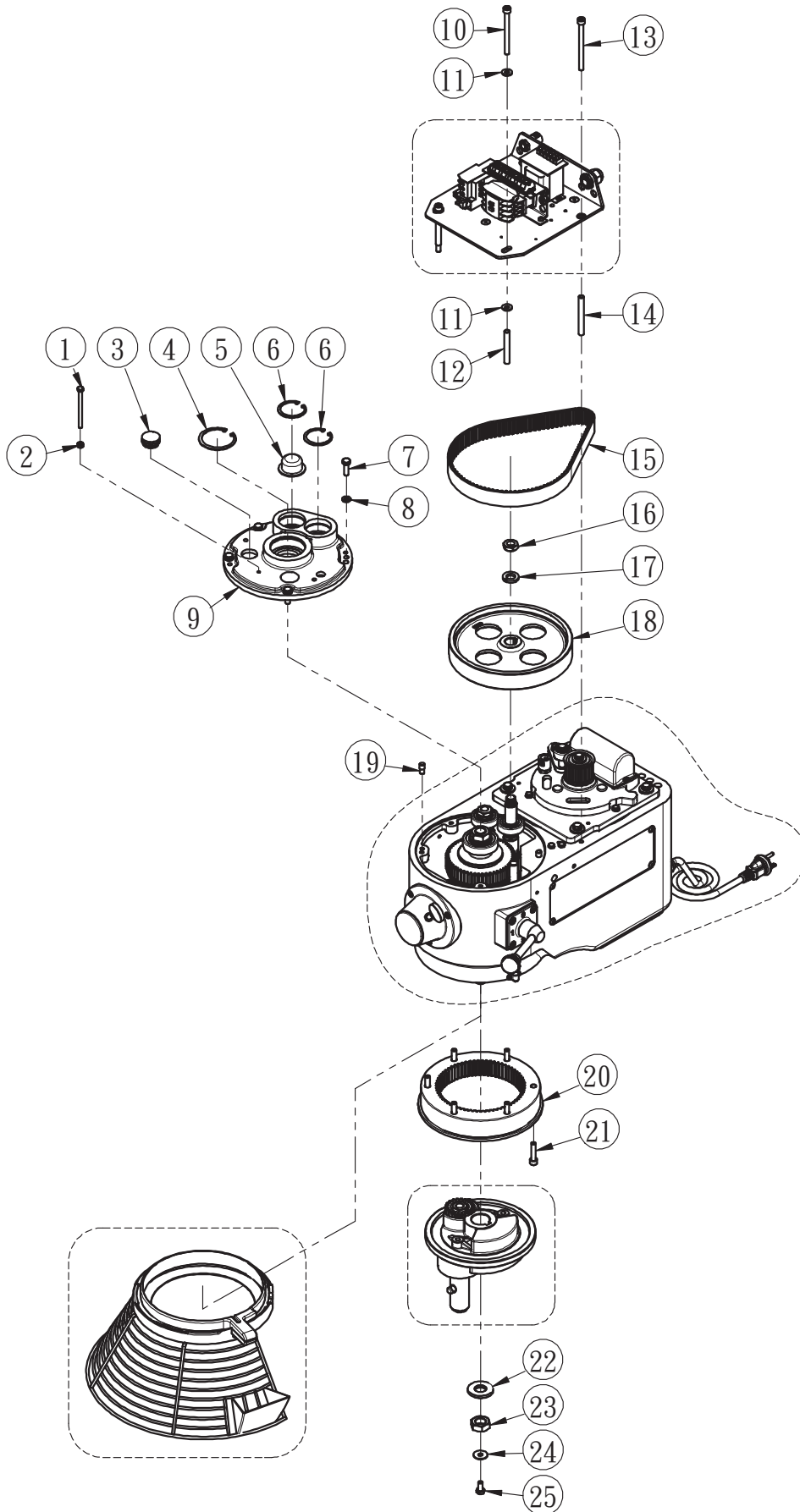


RM 30  
2019\_05

Pozice	Kód	Počet	Poznámka
1	J101-001	1	EMERGENCY STOP BUTTON
2	PL03-3002-RM	1	DIGITAL TIMER PANEL, NOT INCLUDE PCB
	PL03-4002-RM	1	DIGITAL TIMER PANEL, NOT INCLUDE PCB
S1	PL03-20003-IC	1	PCB ASSEMBLY INCLUDE LED
3	PL03-20003-IC-C	1	PCB ONLY
4	PL03-20003-IC-D	1	LED DISPLAY ONLY
5	U301-001	4	ISOLATTION PIN
6	A105-A0603-A1	4	SCREW- M3 x 6L
7	30005-A	1	GASKET
	40005-A	1	GASKET
8	A301-A08-12-1-A1	4	WASHER- M4
9	A201-A06-A1	4	NUT- M3



RM 30  
2019\_05



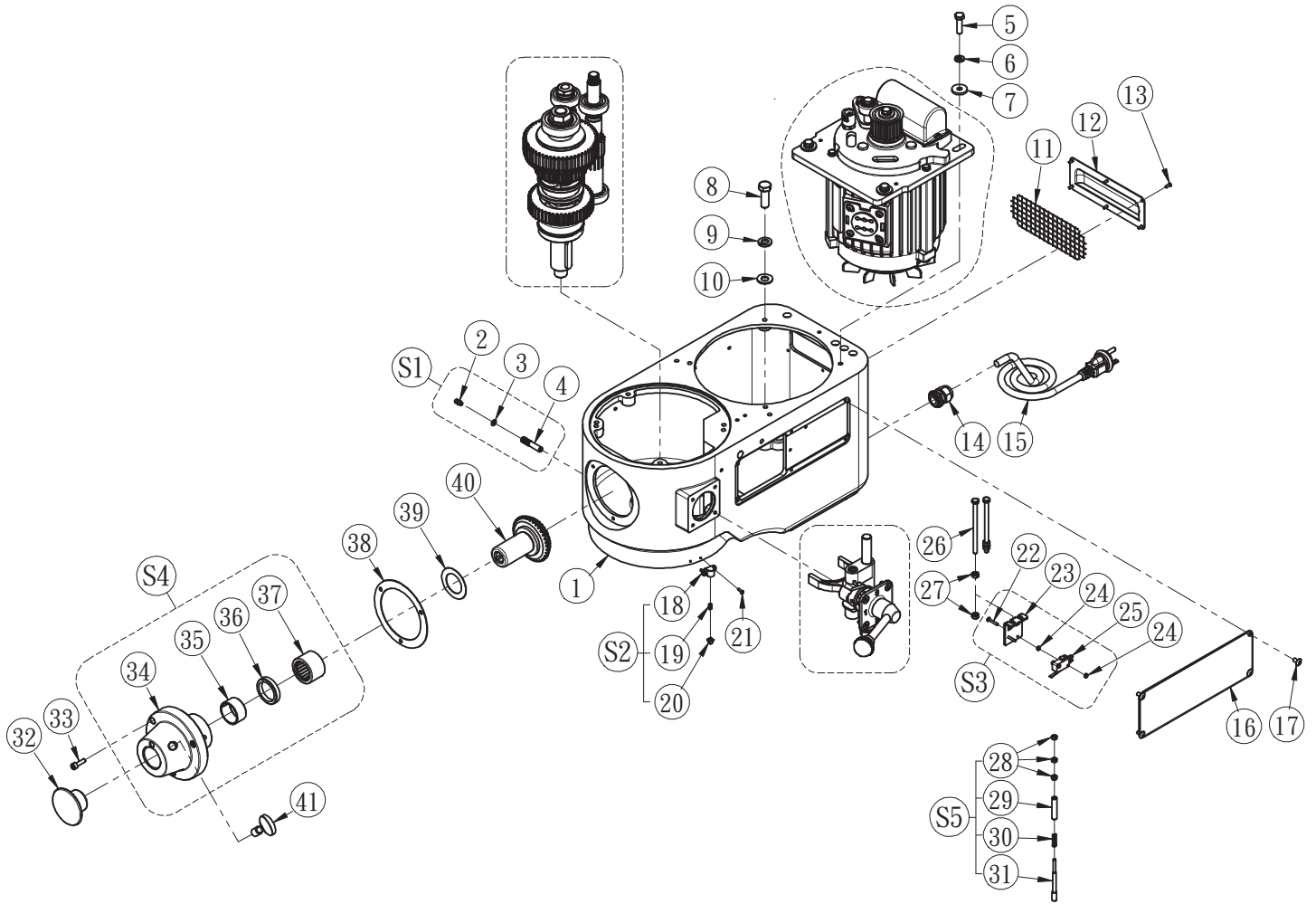


RM 30  
2019\_05

Pozice	Kód	Počet	Poznámka
1	A101-A1120-A1	1	ATTACHMENT HUB USE
2	A201-A11-A1	1	ATTACHMENT HUB USE
3	T901-001	2	
4	RTW-62	1	
5	30079-1	1	
6	RTW-47	2	
7	A101-A1310-A1	4	
8	A302-A13-B4	4	
9	30077	1	
10	A102-A1321-C4	2	
11	A301-A13-18-1-A1	4	
12	30153	2	
13	A102-A1322-C4	2	
14	40153	2	
15	30072	1	50HZ & 60HZ USE
16	A201-B29T080-A1	1	
17	A302-A19-B4	1	
18	30080	1	
19	30077-1	2	
20	30092	1	
21	A102-A1312-C4	6	
22	30130-1	1	
23	A201-B36T120-A1	1	
24	A301-A13-25-1-D	1	
25	A101-A1308-D	1	



RM 30  
2019\_05





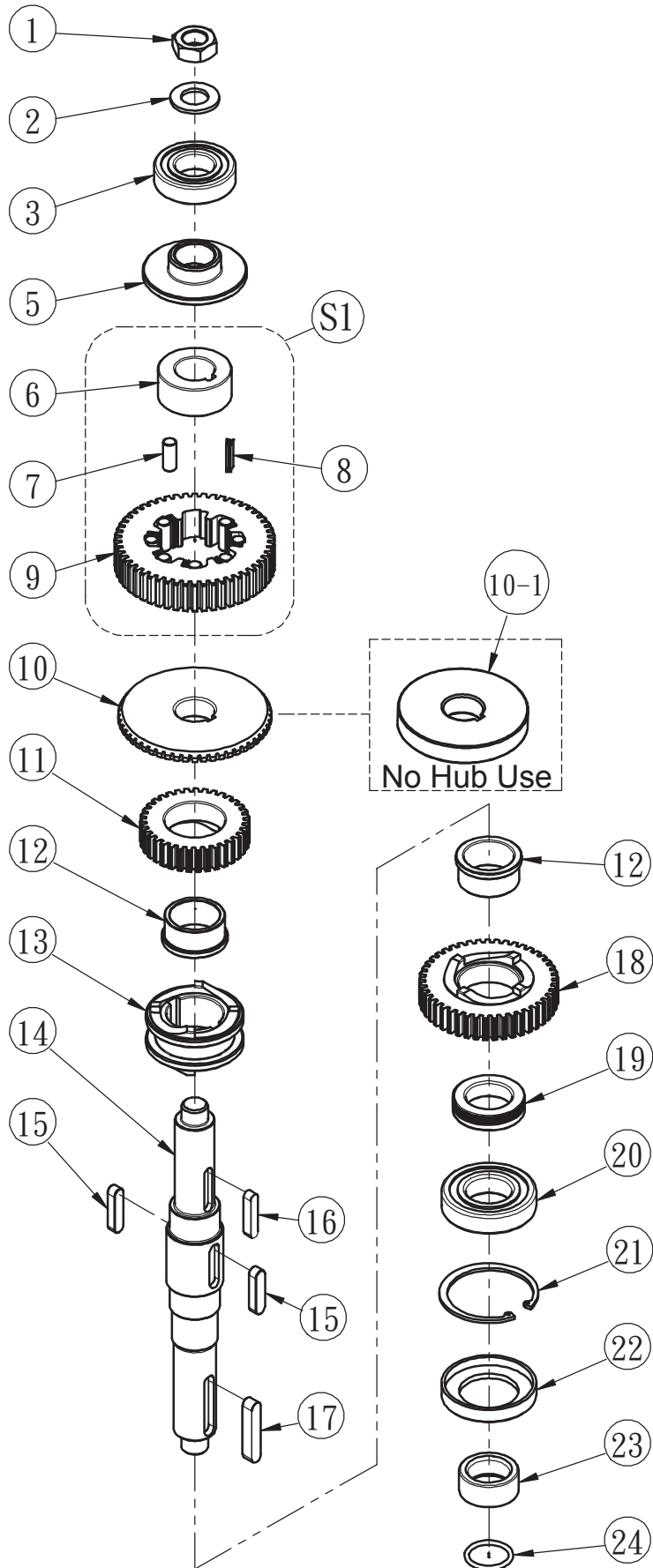


RM 30  
2019\_05

Pozice	Kód	Počet	Poznámka
1	30087-2	1	SP-30HA USE ONLY; WITH ATTACHMENT HUB
	30087-3	1	SP-30A USE ONLY; WITHOUT ATTACHMENT HUB
	30087	1	SP-30HI USE ONLY; WITH ATTACHMENT HUB
	30087-1	1	SP-30I USE ONLY; WITHOUT ATTACHMENT HUB
S1	30165S	1	ASSEMBLY PART
2	200142	1	
3	200141	1	
4	30165	1	
5	A101-A1311-A1	4	
6	A302-A13-B4	4	
7	A301-A13-25-2-A1	4	
8	A101-A1712-B4	4	
9	A302-A17-B4	4	
10	A301-A17-25-1-A1	4	
11	30HI/76	1	
12	30076	1	
13	A701-32102	6	
14	T102-002	1	
15	-	1	PLEASE SPECIFY VOLTAGE WHEN ORDERING
16	PL01-B296	1	ENGLISH LANGUAGE
17	A106-A1005-D	4	
S2	200075	1	ASSEMBLY PART
18	-	1	
19	-	1	
20	-	1	
21	A106-A0604-D	2	
S3	200058S	1	ASSEMBLY PART
22	A105-A0609-A1	2	
23	200058	1	
24	A201-A06-A1	4	
25	J404-001	1	
26	A101-A1122-A1	2	
27	A201-A11-A1	4	
S5	30096S	1	METAL ONE; ASSEMBLY PART
	30096-1S	1	PLASTIC ONE; ASSEMBLY PART
28	A201-A10-A1	3	INCLUDED WITH ASSEMBLY S5
29	22091-1	1	INCLUDED WITH ASSEMBLY S5
30	200044	1	INCLUDED WITH ASSEMBLY S5
31	30096	1	METAL ONE; INCLUDED WITH ASSEMBLY S5
	30096-1	1	PLASTIC ONE; INCLUDED WITH ASSEMBLY S5
32	22017	1	ATTACHMENT HUB USE ONLY
33	A102-A1109-C4	3	ATTACHMENT HUB USE ONLY
S4	30017S	1	ASSEMBLY PART; ATTACHMENT HUB USE ONLY
34	30017	1	
35	A501-035020	1	
36	TC-354508	1	
37	A503-TA3530	1	
38	40017-A	1	ATTACHMENT HUB USE ONLY
39	30014-A	1	ATTACHMENT HUB USE ONLY
40	30014	1	ATTACHMENT HUB USE ONLY
41	200005	1	ATTACHMENT HUB USE ONLY



RM 30  
2019\_05



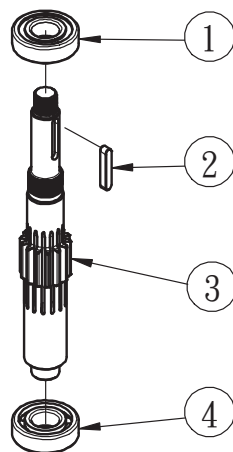
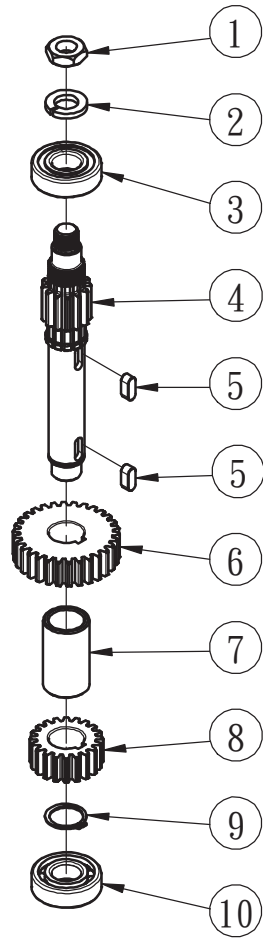


RM 30  
2019\_05

Pozice	Kód	Počet	Poznámka
1	A201-B36T120-A1	1	
2	A301-A21-37-1-A1	1	
3	A502-6206LLU	1	
4	-	-	
5	30113	1	
S1	30117S	1	ASSEMBLY PART
6	30114	1	
7	30115	8	
8	30116	8	
9	30117	1	
10	30118	1	ATTACHMENT HUB USE ONLY
10-1	30118-1	1	NO ATTACHMENT HUB USE ONLY
11	30120	1	
12	30123	2	
13	30133	1	
14	30130	1	
15	A402-100840	2	
16	A402-080840/G1	1	
17	A402-101055	1	
18	30122	1	
19	30124	1	
20	A502-6207LLU	1	
21	RTW-72	1	
22	TC-457212	1	
23	30127	1	
24	A601-P30	1	



RM 30  
2019\_05





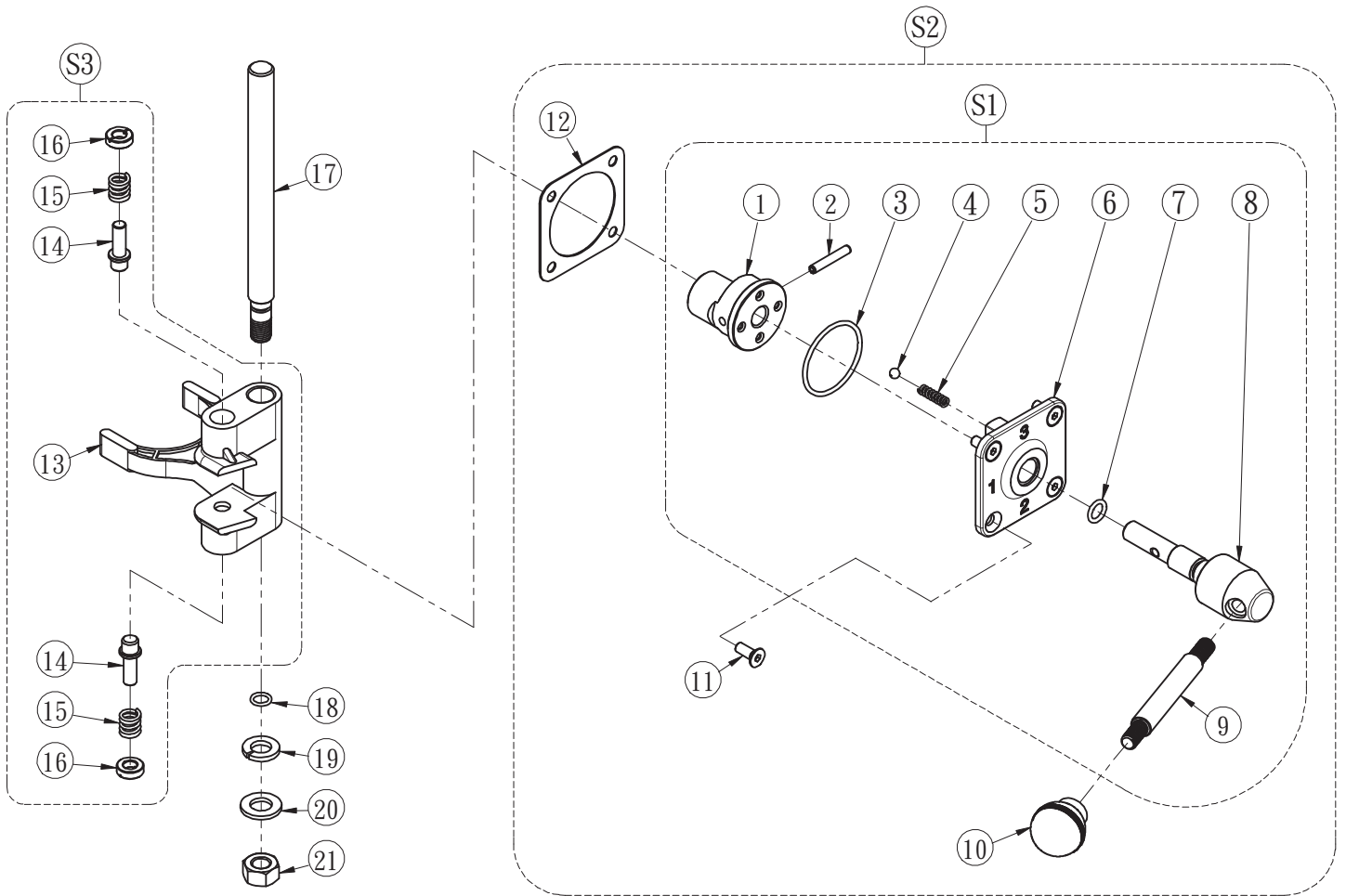
RM 30  
2019\_05

Pozice	Kód	Počet	Poznámka
1	A201-B29T080-A1	1	
2	A302-A19-B4	1	
3	A502-6204LLU	1	
4	30150	1	
5	A402-070718	2	
6	30148	1	
7	30144	1	
8	30143	1	
9	STW-24	1	
10	A502-6204	1	

Pozice	Kód	Počet	Poznámka
1	A502-6204LLU	1	
2	A402-060635	1	
3	30145	1	
4	A502-6204	1	



RM 30  
2019\_05



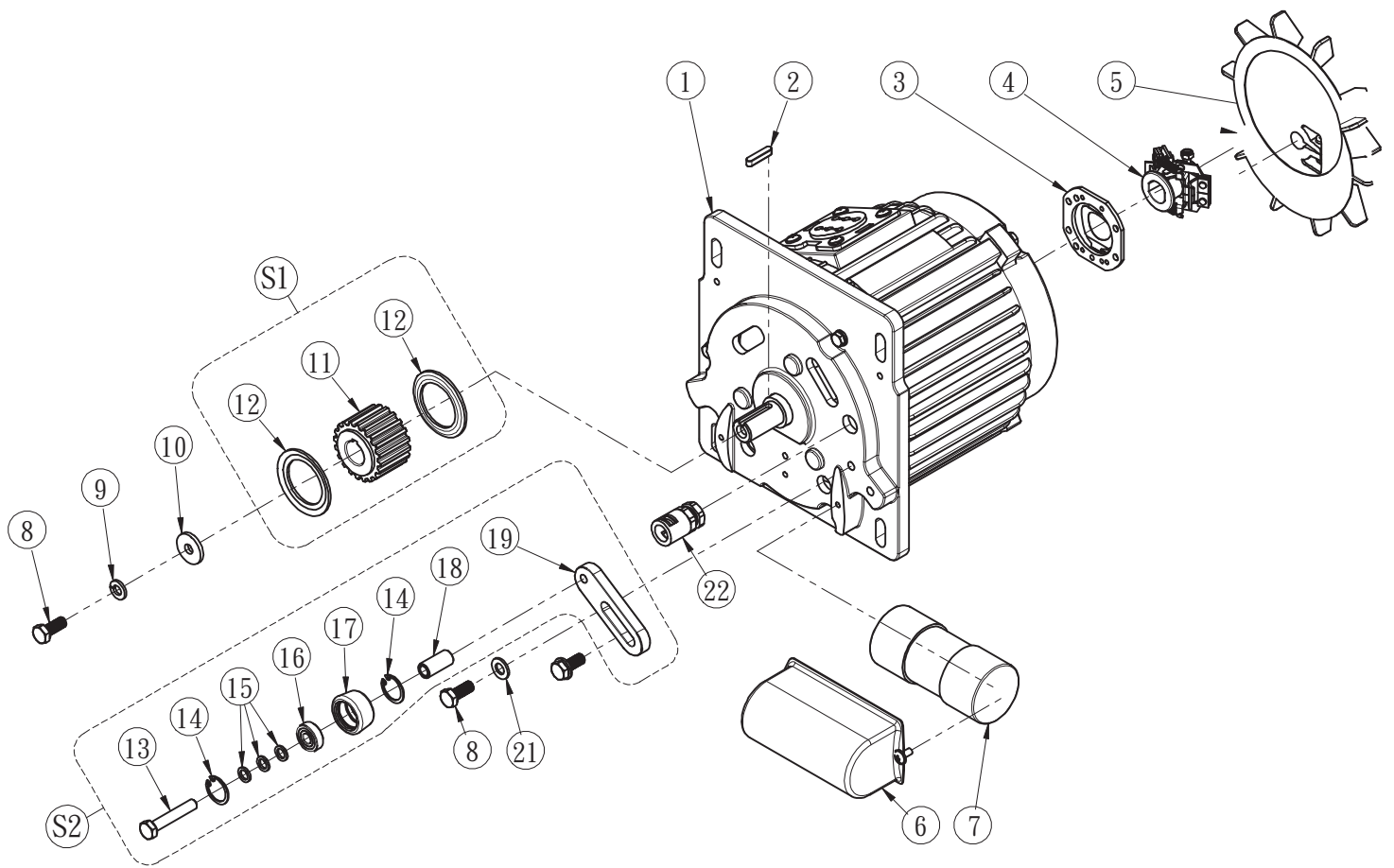


RM 30  
2019\_05

Pozice	Kód	Počet	Poznámka
S1	30059S	1	ASSEMBLY PART; INCLUDE #1~#9
1	-	1	
2	-	1	
3	-	1	
4	-	2	
5	-	2	
6	-	1	
7	-	1	
8	-	1	
9	30057	1	ASSEMBLY PART; INCLUDES1, #10, #11 AND #12
10	U101-003	1	
11	A108-A1108-C2	4	
12	30059-A	1	
S2	30059-AS	1	ASSEMBLY PART
S3	30139S	1	
13	-	1	
14	-	2	
15	-	2	
16	-	2	
17	30135	1	
18	A601-P8	1	
19	A302-A17-B4	1	
20	A301-A17-24-1-A1	1	
21	A201-A17-A1	1	



RM 30  
2019\_05





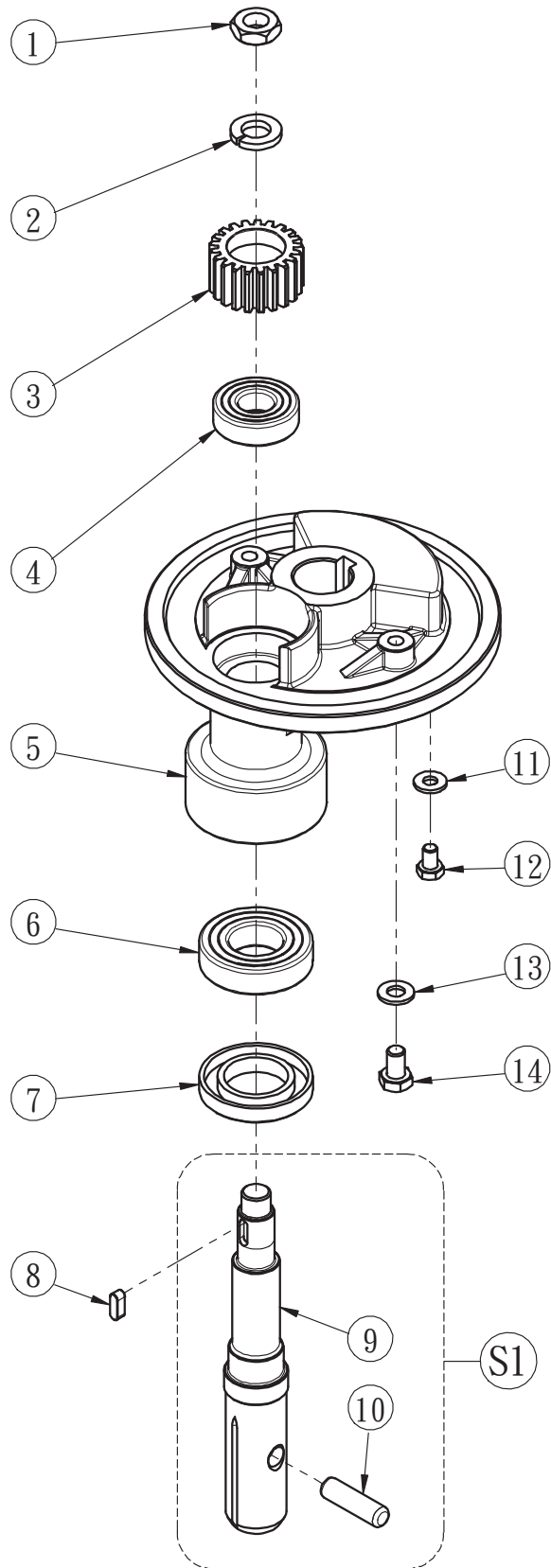


RM 30  
2019\_05

Pozice	Kód	Počet	Poznámka
1	30068	1	PLEASE SPECIFY VOLTAGE WHEN ORDERING
2	A402-050525	1	
3	J701-001	1	SINGLE PHASE USE ONLY; PLEASE SPECIFY VOLTAGE WHEN ORDERING
4	J802-14-50	1	50HZ SINGLE PHASE USE ONLY; PLEASE SPECIFY VOLTAGE WHEN ORDERING
	J802-14-60	1	60HZ SINGLE PHASE USE ONLY; PLEASE SPECIFY VOLTAGE WHEN ORDERING
5	T801-14-158-10	1	
6	-	2	PART FROM MOTOR SUPPLIER
7	K201-400/250	1	SINGLE PHASE USE ONLY; PLEASE SPECIFY VOLTAGE WHEN ORDERING
8	A101-A1309-A1	1	
9	A302-A13-B4	1	
10	A301-A13-25-2-A1	1	
S1	30071S	1	60HZ; ASEEMBLY PART
	30071-1S	1	50HZ; ASEEMBLY PART
11	-	1	
	-	1	
12	30071-A	2	
S2	30158-1S	1	ASEEMBLY PART
13	-	1	
14	-	2	
15	-	3	
16	-	1	
17	-	1	
18	-	1	
19	-	1	
20	-	-	
21	A301-A13-16-2-D	2	
22	T101-001	1	



RM 30  
2019\_05



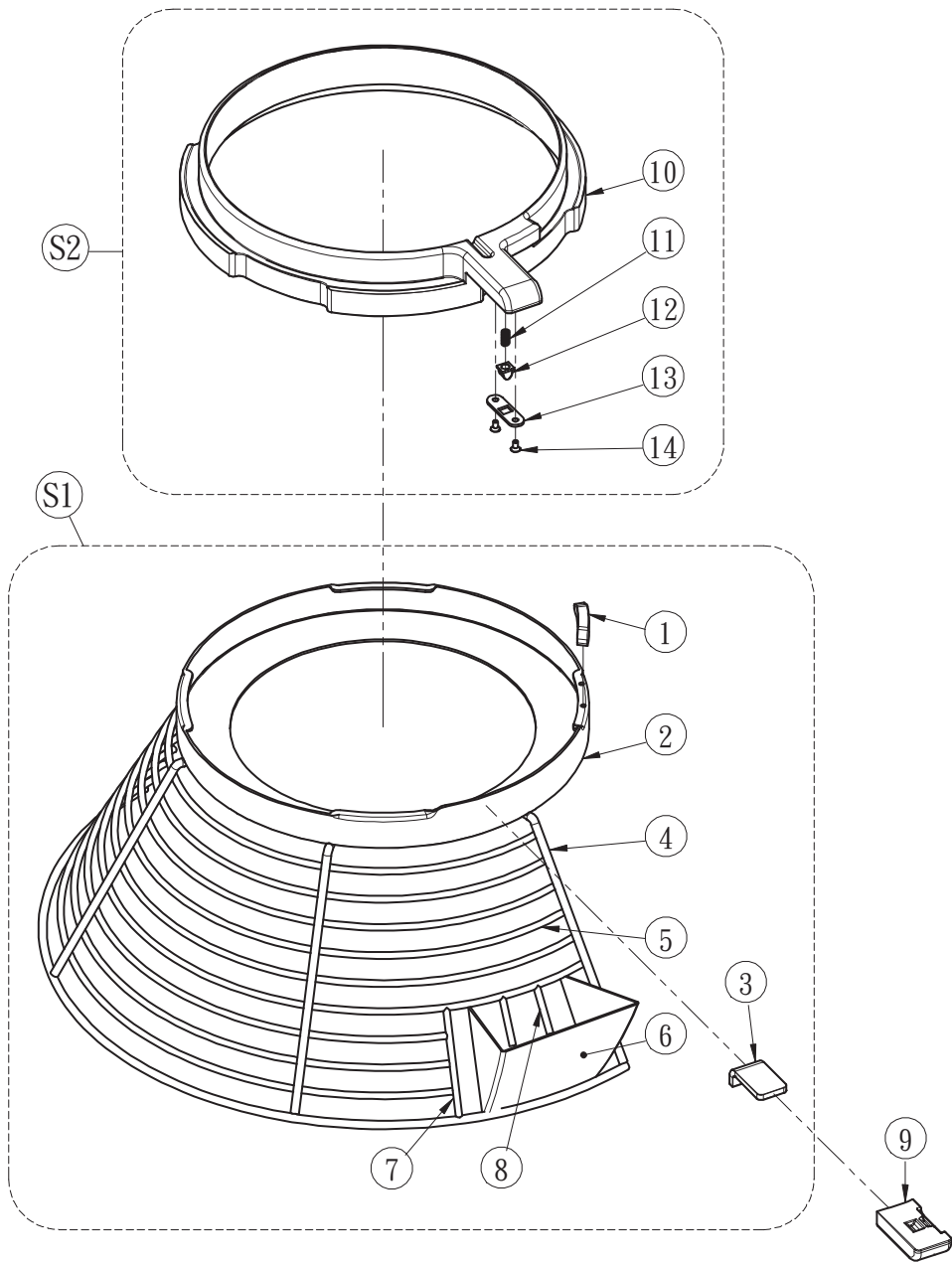


RM 30  
2019\_05

Pozice	Kód	Počet	Poznámka
1	A201-B29T080-A1	1	
2	A302-A19-B4	1	
3	30021	1	
4	A502-6204ZZ	1	
5	30023	1	
6	A502-6206ZZ	1	
7	TC-356210	1	
8	A402-060617	1	
S1	30027S	1	
9	-	1	ASSEMBLY PART
10	30028	1	
11	A301-A13-18-1-A1	2	
12	A101-A1306-A1	2	
13	A301-A15-20-1-A1	2	
14	A101-A1508-A1	2	



RM 30  
2019\_05





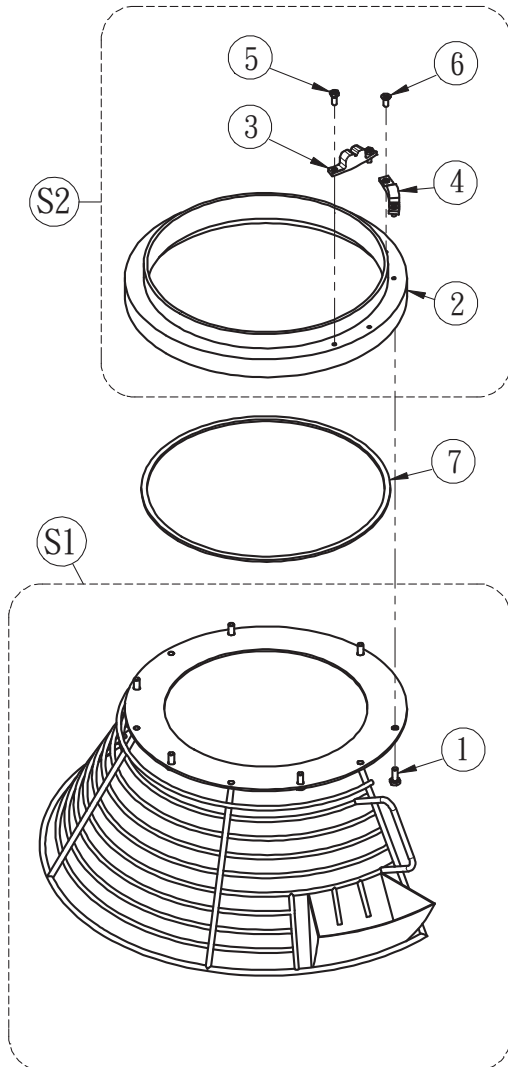
RM 30  
2019\_05

Pozice	Kód	Počet	Poznámka
S1	30508S	1	ASSEMBLY PART
1	-	1	
2	-	1	
3	-	1	
4	-	4	
5	-	1	
6	-	1	
7	-	2	
8	-	2	
9	40504-A	1	
S2	30090-4S	1	ASSEMBLY PART
10	-	1	
11	200075-1	1	
12	200058-1	1	
13	200502	1	
14	200503	2	

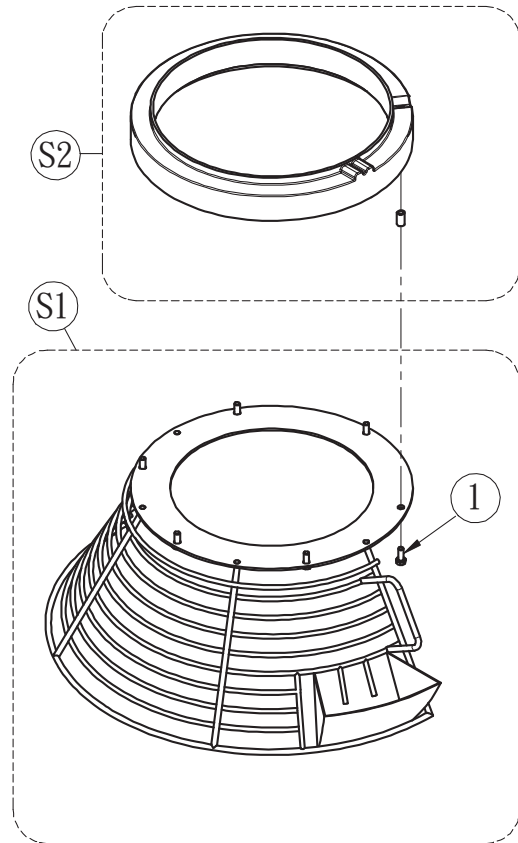


RM 30  
2019\_05

### Metal Slide Sheath



### Plastic Slide Sheath



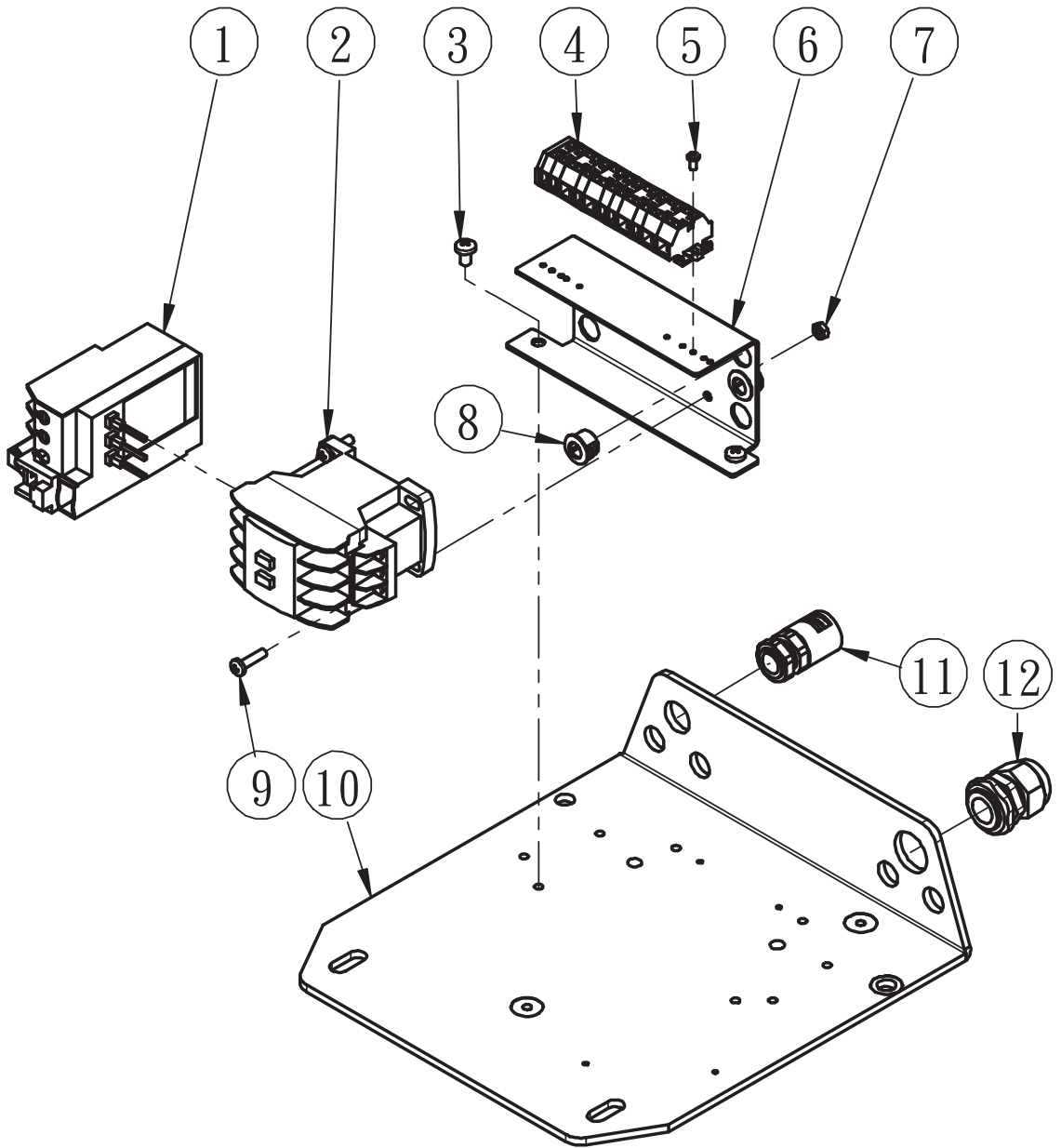


RM 30  
2019\_05

Pozice	Kód	Počet	Poznámka
S1	30094S	1	ASSEMBLY PART
1	A101-A1006-D	6	
S2	30090-2S	1	METAL ONE; ASSEMBLY PART
	30090S		PLASTIC ONE; ASSEMBLY PART
2	-	1	
3	22156	1	
4	200041	1	
5	A110-A0805-D	2	
6	A107-A0805-D	2	
7	30091	1	METAL SLIDE SHEATH USE ONLY



RM 30  
2019\_05





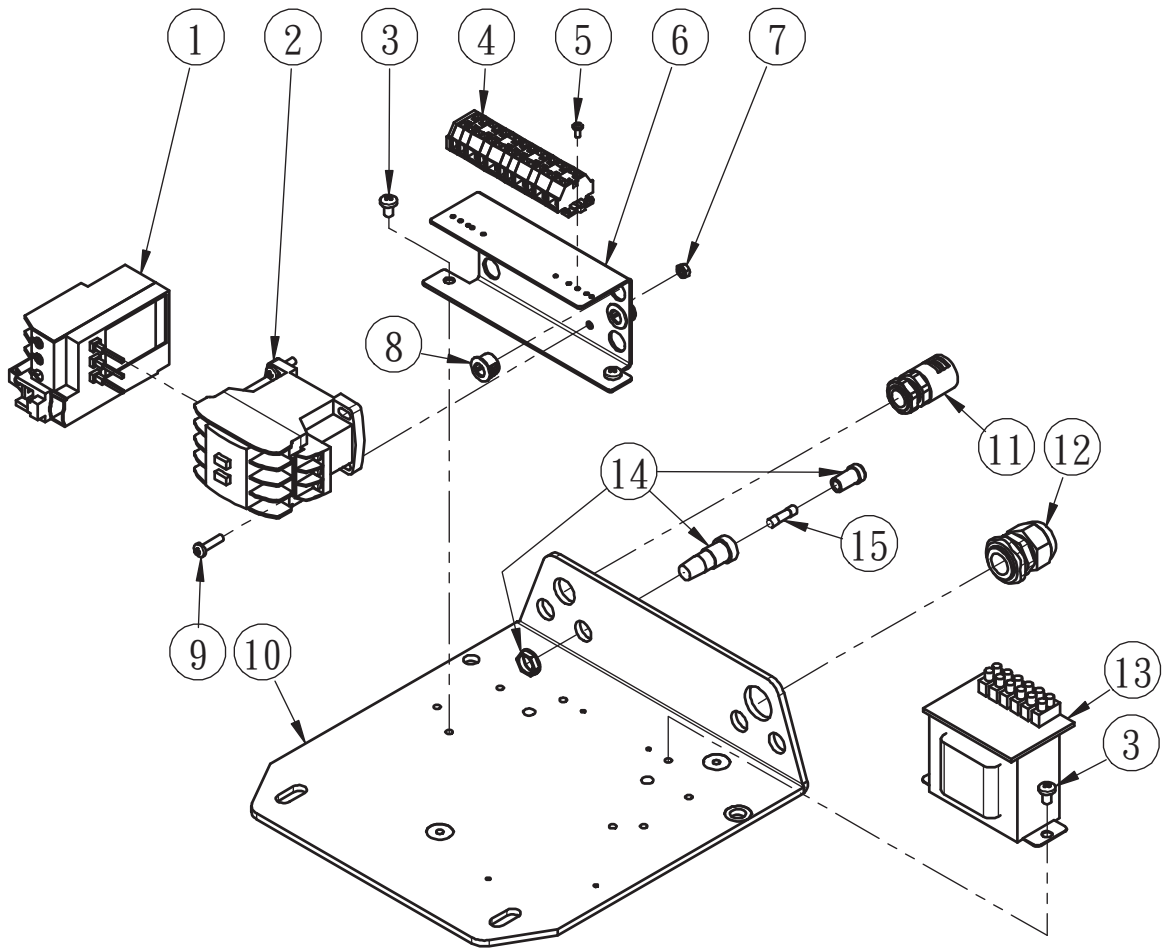


RM 30  
2019\_05

Pozice	Kód	Počet	Poznámka
1	30HI/154	1	SPECIFICATION IS DIFFERENT SUBJECT TO ELT AND CE SPEC. PLEASE SPECIFY VOLTAGE WHEN ORDERING
2	30HI/11	1	SPECIFICATION IS DIFFERENT SUBJECT TO ELT AND CE SPEC. PLEASE SPECIFY VOLTAGE WHEN ORDERING
3	A105-A1004-A1	2	
4	30HI/12	1	
5	A105-A0603-A1	2	
6	30013-A	1	
7	A201-A08-A1	2	
8	T601-001	2	
9	A105-A0830-A1	2	
10	30013	1	
11	T101-001	1	
12	T102-002	1	



RM 30  
2019\_05



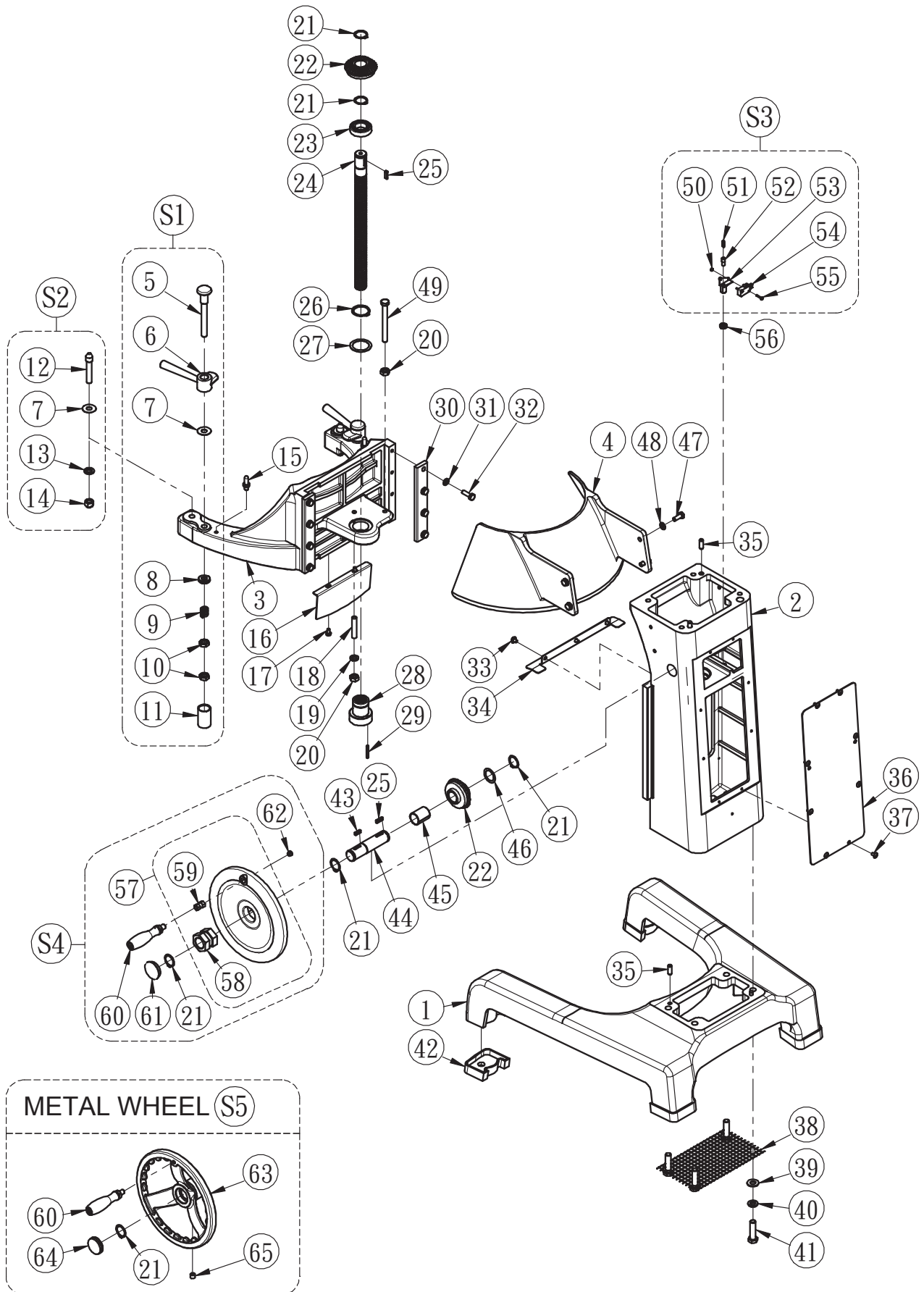


RM 30  
2019\_05

Pozice	Kód	Počet	Poznámka
1	30HI/154	1	SPECIFICATION IS DIFFERENT SUBJECT TO ELT AND CE SPEC. PLEASE SPECIFY VOLTAGE WHEN ORDERING
2	30HI/11	1	SPECIFICATION IS DIFFERENT SUBJECT TO ELT AND CE SPEC. PLEASE SPECIFY VOLTAGE WHEN ORDERING
3	A105-A1004-A1	4	
4	30HI/12	1	
5	A105-A0603-A1	2	
6	30013-A	1	
7	A201-A08-A1	2	
8	T601-001	2	
9	A105-A0830-A1	2	
10	30013	1	
11	T101-001	1	
12	T102-002	1	
13	30HI/157	1	PLEASE SPECIFY VOLTAGE WHEN ORDERING
14	L302-6.3-250	1	
15	L301-A-1-250	1	



RM 30  
2019\_05





RM 30  
2019\_05

Pozice	Kód	Počet	Poznámka	
1	30038	1		
2	30042	1		
3	30034	1		
4	30036	1		
S1	30033S	2	ASSEMBLY PART	
5	30108	2		
6	30033	2		
7	A301-A17-30-1-D	4		
8	30108-1	2		
9	30108-2	2		
10	A201-A17T070-A1	4		
11	C-8057	2		
S2	30109S	2		ASSEMBLY PART
12	30109	2		
13	A302-A17-A1	2		
14	A204-A17-A1	2		
15	30109-1	2		
16	30164	1		
17	A101-A1105-D	2		
18	A103-A1516-C4	1		
19	A302-A15-B4	1		
20	A201-A15-A1	2		
21	STW-25	5		
22	30045	2		
23	A502-6005LLU-1	1		
24	30041	1		
25	A402-050520	2		
26	STW-35	1		
27	30104-A	1		
28	30104	1		
29	A902-04032	2		
30	30035	2		
31	A302-A13-B4	8		
32	A101-A1310-A1	8		
33	A106-A1104-D	3		
34	30102	1		
35	A901-08023	4		
36	30055	1		
37	A106-A1005-D	8		
38	30037	1		
39	A301-A17-25-1-A1	4		
40	A302-A17-B4	4		
41	A101-A1714-A1	4		
42	30162	1		
43	A402-050517	1		
44	30047	1		
45	A501-025035	1		
46	30045-A	1~2	PLEASE CONSULUS WHE ORDERING	
	30045-B			
47	A101-A1309-D	4		



RM 30  
2019\_05

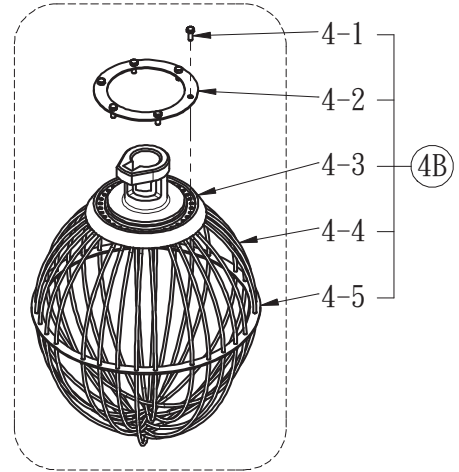
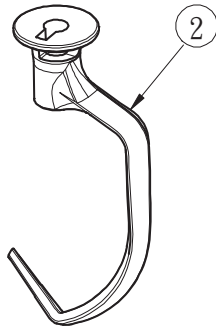
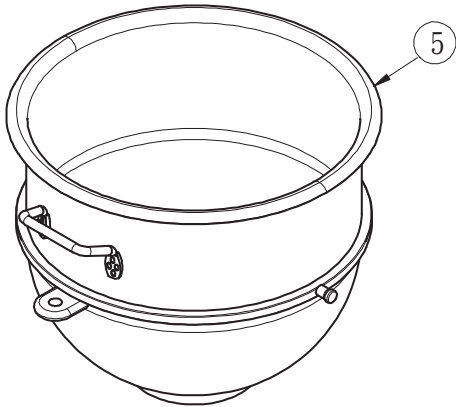
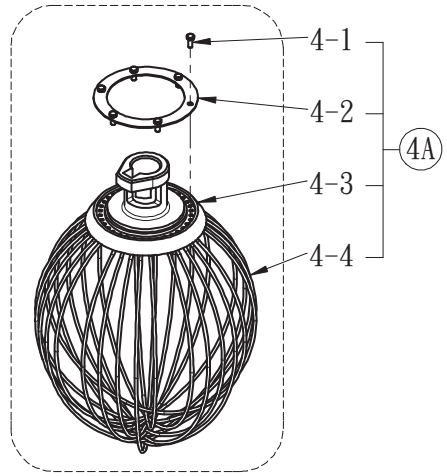
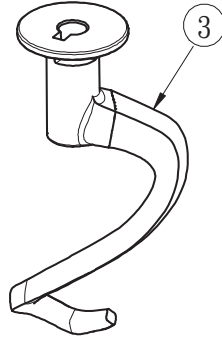
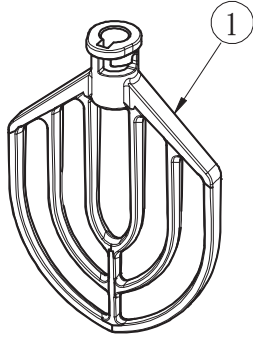
Pozice	Kód	Počet	Poznámka
48	A301-A13-16-2-D	4	
49	A101-A1522-A1	1	
S3	30051-1S	1	ASSEMBLY PART
50	A201-A06-A1	2	
51	200075-1	1	
52	30051-1	1	
53	30051	2	
54	J403-001	1	
55	A105-A0630-A1	2	
56	A201-B58T050-E2/G1	1	
S4	30053-2S	1	PLASTIC WHEEL; ASSEMBLY PART
57	-	1	
58	-	1	
59	-	1	
60	B101-001	1	
61	30053-2	1	
62	T501-HP08	1	
S5	40053S	1	METAL WHEEL; ASSEMBLY PART
63	40053	1	
64	40053-2	1	
65	A103-A1505-C4	1	



RM 30  
2019\_05



RM 30  
2019\_05





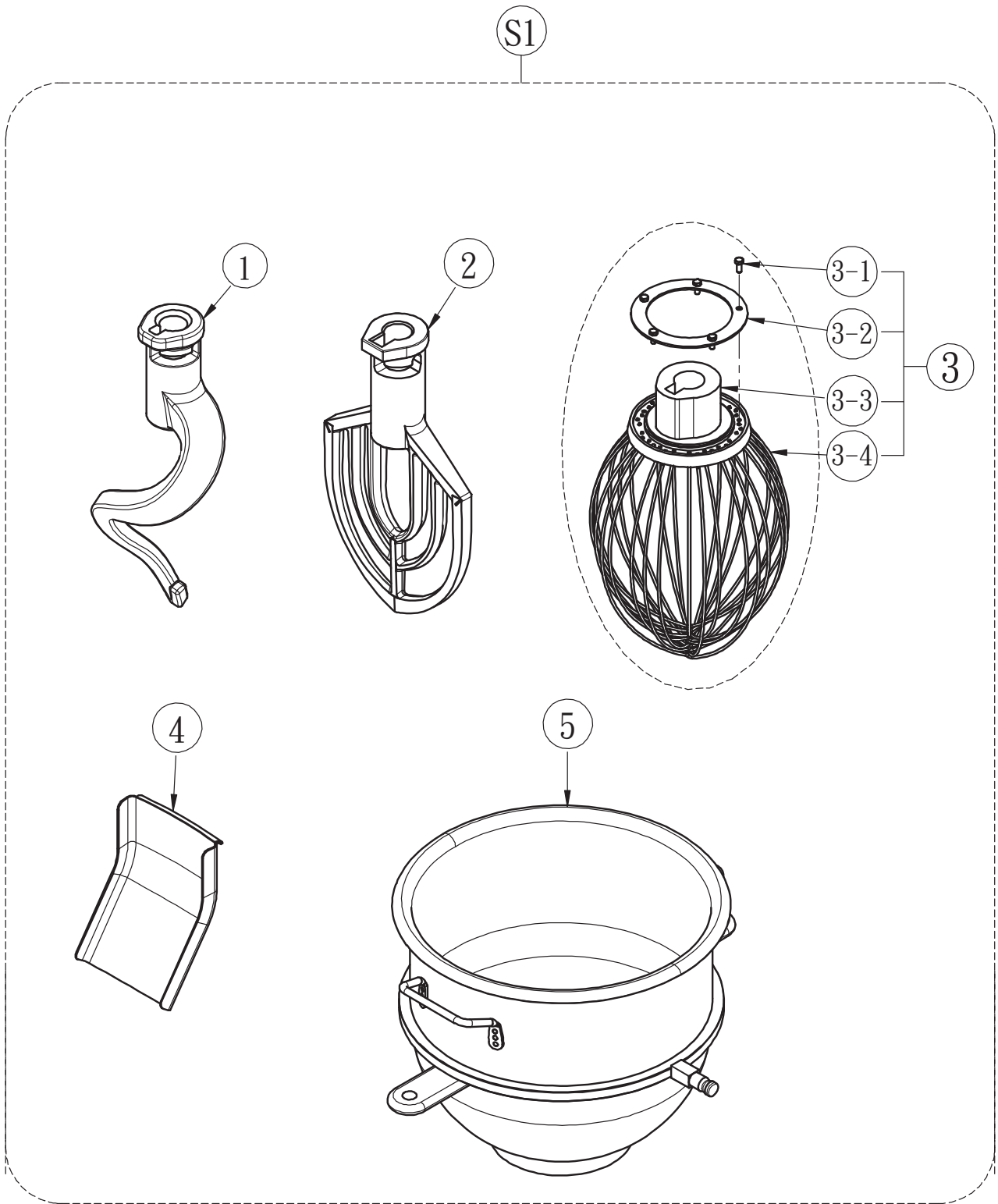


RM 30  
2019\_05

Pozice	Kód	Počet	Poznámka
1	30030	1	ALUMINUM FLAT BEATER
	30030-1	1	STAINLESS STEEL FLAT BEATER
2	30029-10	1	ALUMINUM DOUGH HOOK- J TYPE
3	30029-2	1	ALUMINUM DOUGH HOOK- SPIRAL TYPE
4A	30031S	1	WHIP
4B	30031-2S	1	HEAVY DUTY WHIP
4-1	A101-A1006-D	6	SCREW(M5x12L)
4-2	30031-1	1	RING COVER
4-3	-	1	
4-4	-	15	
4-5	-	1	
5	30032	1	BOWL
	30032-N	1	CUSTOMIZED BOWL; NO BASE



RM 30  
2019\_05



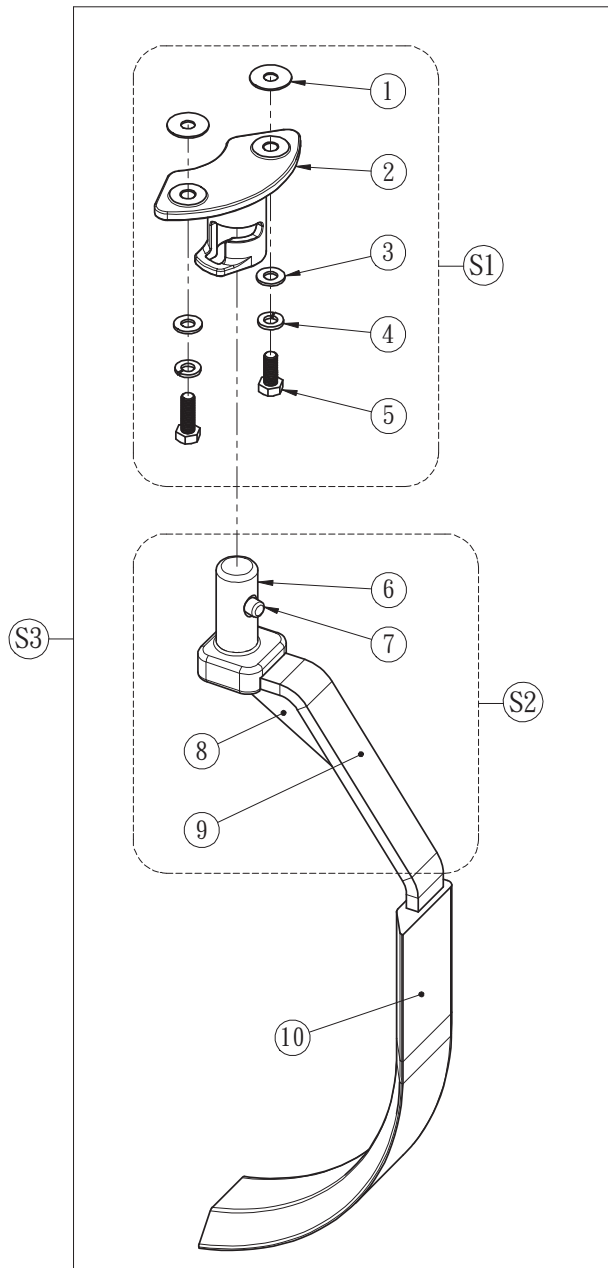


RM 30  
2019\_05

Pozice	Kód	Počet	Poznámka
S1	20/30ACC	1	INCLUDE BOWL AND TOOLS
1	30029-L	1	
2	30030-L	1	
3	40031-LS	1	
3-1	A101-A1006-D	5	ASSEMBLY PART
3-2	200018-E	1	
3-3	-	1	
3-4	-	15	
4	40094-1	1	
5	30032-L	1	



RM 30  
2019\_05



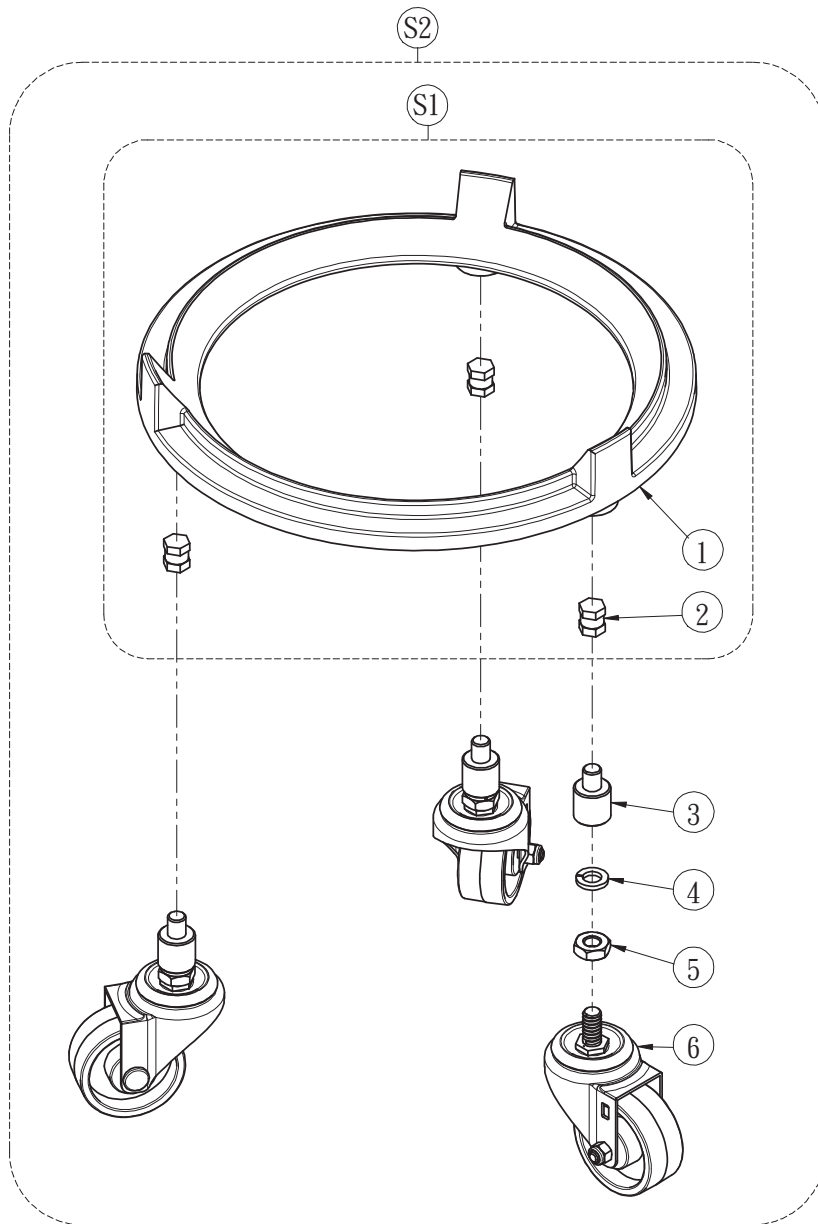


RM 30  
2019\_05

Pozice	Kód	Počet	Poznámka
S1	40511S	1	ASSEMBLY PART
1	40512	2	
2	40511	1	
3	A301-A1-22-1-D	2	
4	A302-A13-D	2	
5	A101-A1310-D	2	
S2	30509S		ASSEMBLY PART
6	-		
7	-		
8	-		
9	-		
10	40515		
S3	30/SCRIP		INCLUDE # 10, S1 AND S2 AS ONE SET



RM 30  
2019\_05





RM 30  
2019\_05

Pozice	Kód	Počet	Poznámka
S1	60032-TS		
1	-		
2	-		ASSEMBLY PART
3	30032-T		
4	A302-C06-A1		
5	A201-C06-A1		
6	T301 - 001		
S2	TROLLY/30		INCLUDE S1, #3, #4, #5 AND #6 AS ONE SET