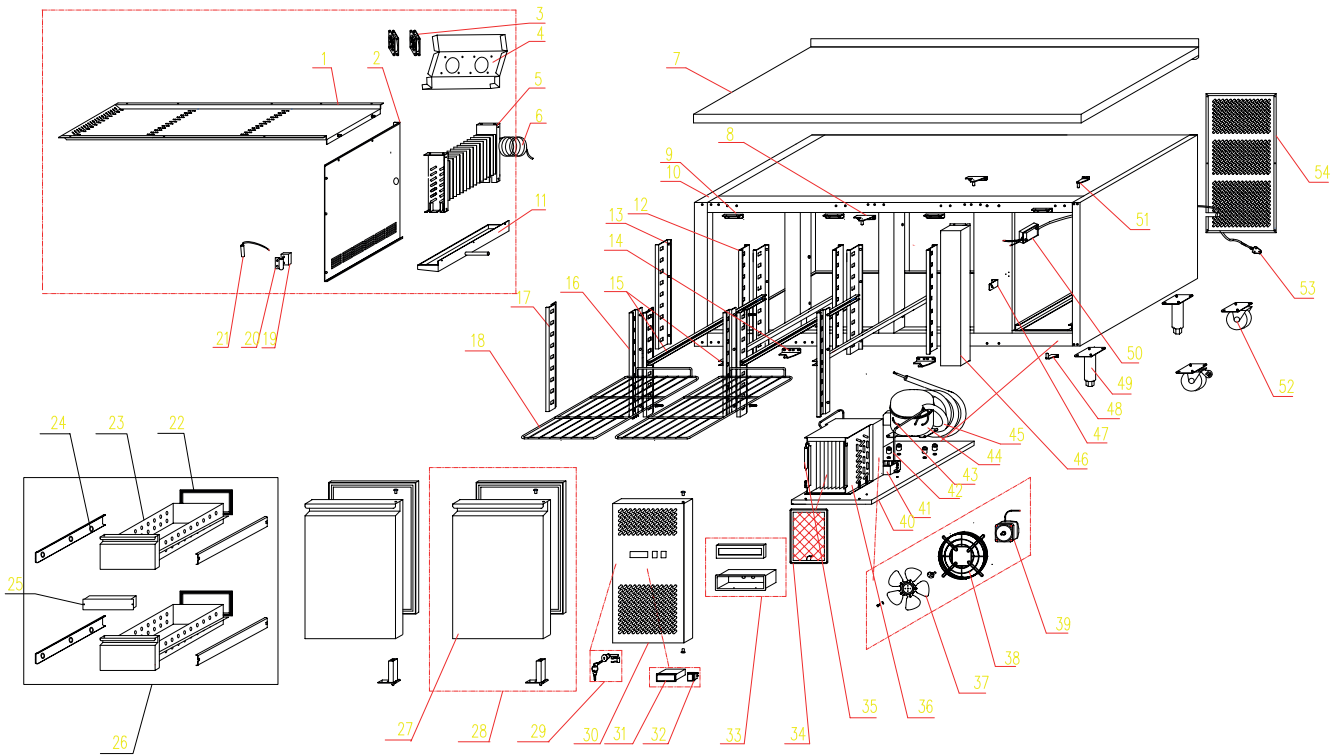


MNT 3D 2D2Z  
2021\_05



MNT 3D 2D2Z  
2021\_05

Pozice	Kód	Název
01	GN3100TN.01.201	AIR FLOW COUDUCT BOARD
	GN3100TN.01.304	
02	GN1100TN.02.201	EVAPORATOR COVER
	GN1100TN.02.304	
03	GN1100TN.03	EVAPORATOR FAN
04	GN1100TN.04	EVAPORATOR FAN SUPPORT
05	GN1100TN.05	EVAPORATOR
06	GN1100TN.06	CAPILLARY
07	GN3100TN.07.201	TOP
	GN3100TN.07.304	
08	GN2100TN.08	UP HINGE/RIGHT
9	GN1100TN.09	CONTINUOUS BLOCK OF TOP
10	GN3100TN.10	BODY
11	GN1100TN.11	EVAPORATOR WATER TRAY
12	GN1100TN.12.201	BACK SUPPORT/RIGHT
	GN1100TN.12.304	
13	GN1100TN.13.201	BACK SUPPORT/LEFT
	GN1100TN.13.304	
16	GN1100TN.16.201	FRONT SUPPORT/RIGHT
	GN1100TN.16.304	
17	GN1100TN.17.201	FRONT SUPPORT/LEFT
	GN1100TN.17.304	
14	GN2100TN.15	DOWN HINGE/RIGHT
15	GN1100TN.15.201	GUIDE SET
	GN1100TN.15.304	
18	GN1100TN.18	SHELF
19	GN1100TN.19.201	PROBE PADDING
	GN1100TN.19.304	
20	GN1100TN.20.201	PROBE FIXED CLIP
	GN1100TN.20.304	
21	GN1100TN.21	PROBE
22	GN2140TN.18	GASKET OF GN1/2 DRAWER
23	GN2140TN.19.201	GN1/2 DRAWER BODY AND PANEL
	GN2140TN.19.304	
24	GN2140TN.20	COMPOSITE GUIDE
25	GN2140TN.21	BEAM OF DRAWER

MNT 3D 2D2Z  
2021\_05

Pozice	Kód	Název
26	GN2140TN.22	SET 2 DRAWER
27	GN2100TN.29.201	DOOR/RIGHT
	GN2100TN.29.304	
28	GN2100TN.30	SET DOOR/RIGHT
29	GN1100TN.27	LOCK
30	GN1100TN.28.201	FRONT PANEL
	GN1100TN.28.304	
31	GN1100TN.29	THERMOSTAT
32	GN1100TN.30	MAIN SWICH
33	GN1100TN.31	WATERPROOF BOX OF THER- MOSTAT
34	GN1100TN.32	FILTER
35	GN1100TN.33	FILTER DRIER
36	GN1100TN.34	CONDENSER
37	GN1100TN.35	LAMINA OF CONDENSER FAN
38	GN1100TN.36	COVER OF CONDENSER FAN
39	GN1100TN.37	CONDENSER FAN
40	GN1100TN.38	BOARD OF CONDENSER UNIT
41	GN1100TN.39	CONDENSER WATER TRAY
42	GN1100TN.40	EVAPORATE PIPE
43	GN1100TN.41	CHARGE PIPE
44	GN1100TN.42	COMPRESSOR
45	GN1100TN.43	SUCYION PIPE
46	GN1100TN.44.201	FIXED FRONT PANEL
	GN1100TN.44.304	
47	GN1100TN.45.201	LOOK HOOK
	GN1100TN.45.304	
48	GN1100TN.46	DOWN HINGE OF FRONT PA- NEL
49	GN1100TN.47	FEET
50	GN1100TN.48	JUNCTION BOX
51	GN1100TN.49	UP HINGE OF FRONT PANEL
52	GN1100TN.50	CASTER
53	GN1100TN.51a	PLUG/EU
	GN1100TN.51b	PLUG/UK
	GN1100TN.51c	PLUG/AU
	GN1100TN.51d	PLUG/IL
	GN1100TN.51e	PLUG/ZA
54	GN1100TN.52	UNIT ROOM COVER