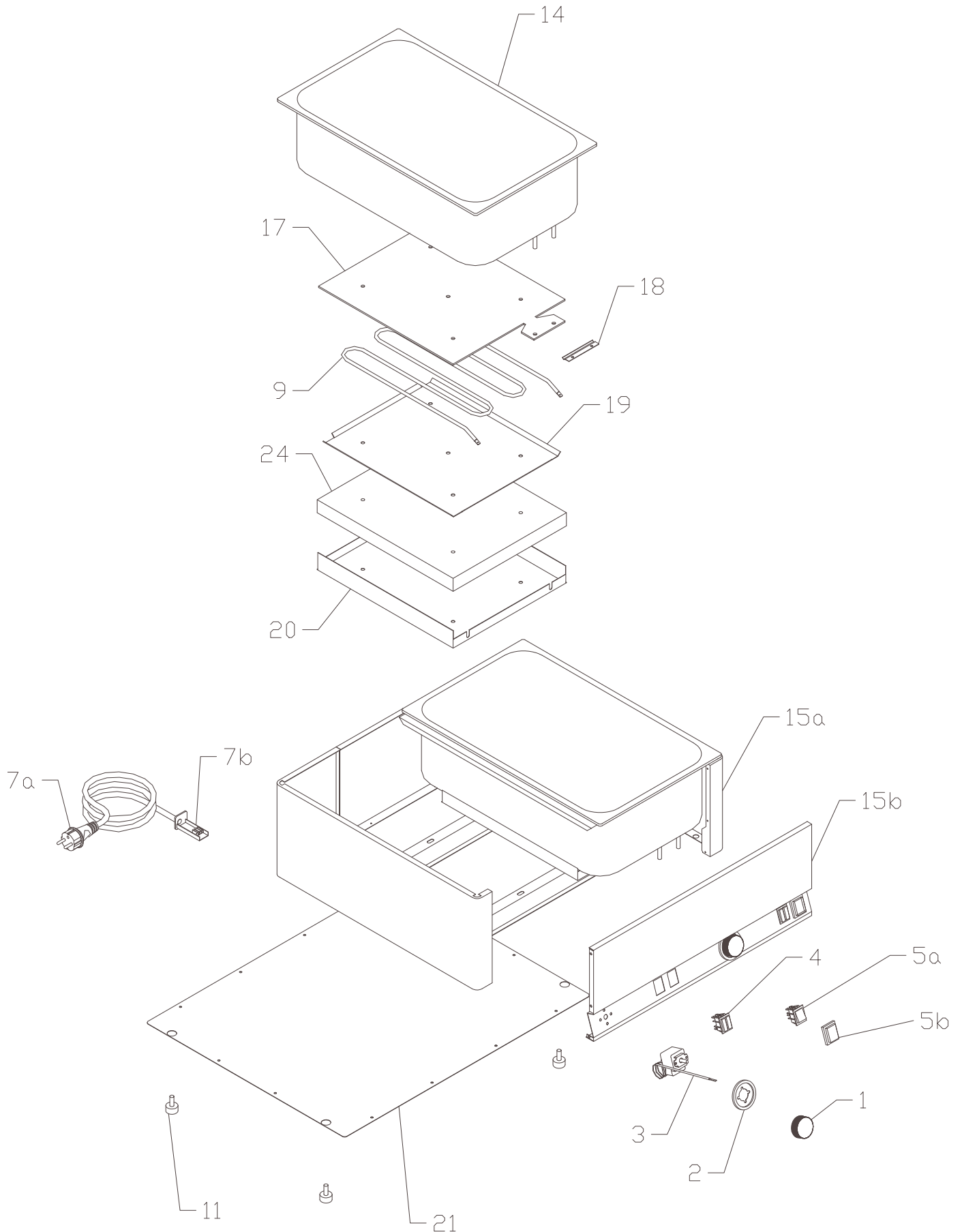


BM-1115, BM-2115
od 10-2012



**BM-1115, BM-2115
od 10-2012**

| BM-1115 | |
|----------------|------------|
| Pozice | Kód |
| 1 | 402591000 |
| 2 | 402595000 |
| 3 | 402501100 |
| 4 | 401510000 |
| 5a | 401500500 |
| 5b | 401509000 |
| 6 | ----- |
| 7a | 402010500 |
| 7b | 402085500 |
| 8 | ----- |
| 9 | 401023000 |
| 10 | ----- |
| 11 | 407810500 |
| 12 | ----- |
| 13 | ----- |
| 14 | 500502001 |
| 15a | 500500100 |
| 15b | 450501500 |
| 16 | ----- |
| 17 | 450500070 |
| 18 | 450503500 |
| 19 | 450500080 |
| 20 | 450503000 |
| 21 | 450502000 |
| 22 | ----- |
| 23 | ----- |
| 24 | 407502100 |

| BM-2115 | |
|----------------|------------|
| Pozice | Kód |
| 1 | 402591000 |
| 2 | 402595000 |
| 3 | 402501100 |
| 4 | 401510000 |
| 5a | 401500500 |
| 5b | 401509000 |
| 6 | ----- |
| 7a | 402010500 |
| 7b | 402085500 |
| 8 | ----- |
| 9 | 401023000 |
| 10 | ----- |
| 11 | 407810500 |
| 12 | ----- |
| 13 | ----- |
| 14 | 500502001 |
| 15a | 500500500 |
| 15b | 450510100 |
| 16 | ----- |
| 17 | 450500070 |
| 18 | 450503500 |
| 19 | 450500080 |
| 20 | 450503000 |
| 21 | 450511000 |
| 22 | ----- |
| 23 | ----- |
| 24 | 407502100 |

Exploded view

TABLE A: LABELS

| MODEL | CODE | NOTE |
|----------|-----------|--------|
| VT | 402594273 | |
| TO - 940 | 402594234 | Switch |
| TO - 940 | 402594235 | Timer |
| TO - 960 | 402594234 | Switch |
| TO - 960 | 402594235 | Timer |
| TO - 920 | 402594233 | Switch |
| TO - 920 | 402594235 | Timer |
| TO - 930 | 402594233 | Switch |
| TO - 930 | 402594235 | Timer |
| VEC | 402594241 | |
| PM - LTF | 402594244 | |
| KD | 402594243 | |
| FP - 36 | 402594237 | |
| FP - 66 | | |
| FP - 37 | | |
| FP - 67 | | |
| FT | 402594247 | |
| PD | | |
| PM | | |
| PS | | |
| FP - 38 | | |
| FP - 68 | | |
| FE | 402594272 | |
| BM | 402594236 | |
| BMV | | |
| HD | | |
| WE | | |
| WEV | | |
| OTS | | |
| UH | | |
| BM-D | 402594271 | |
| SE | | |
| CW | | |
| GV | | |

