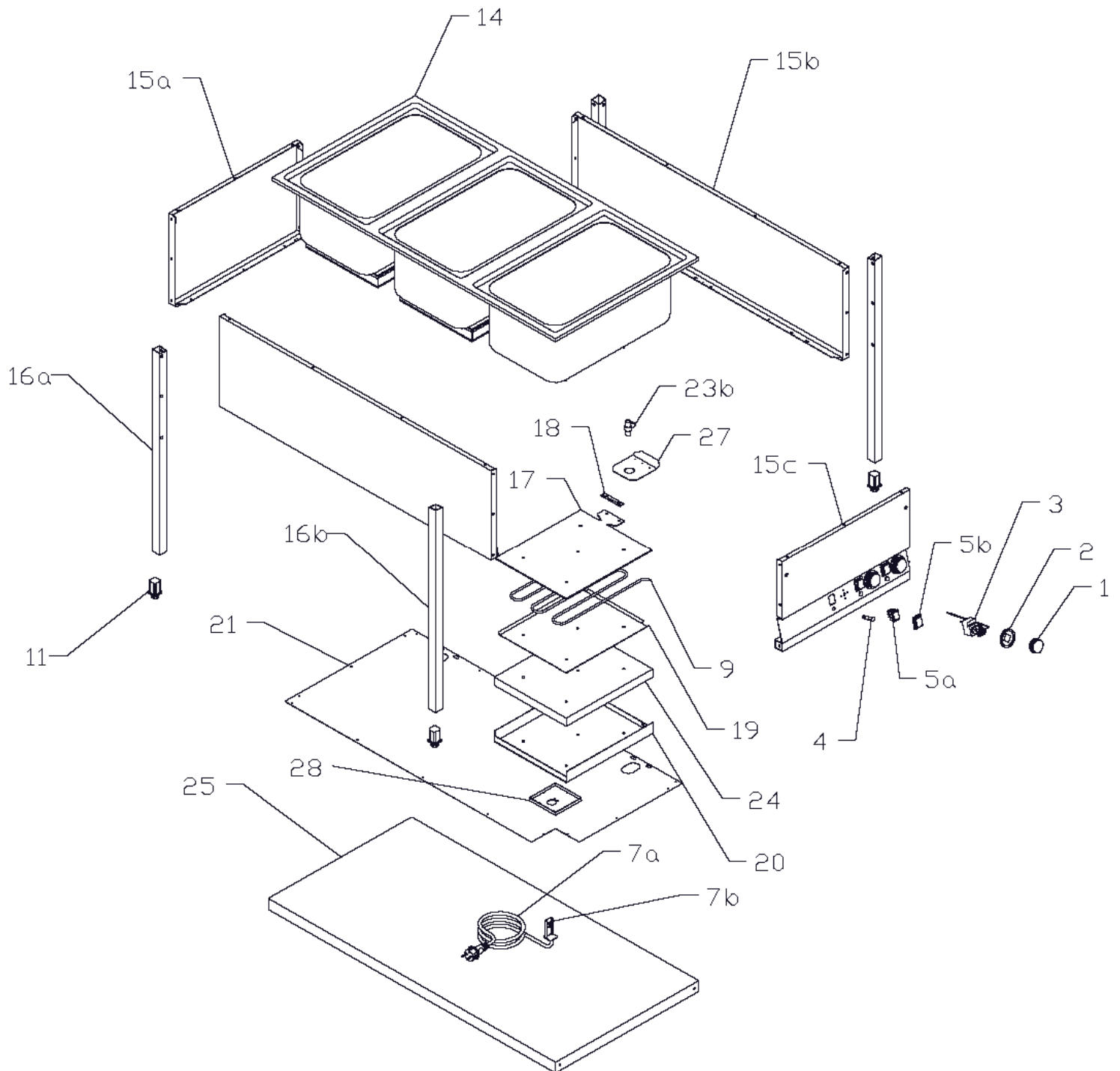


BMSK-2120,3120,4120
od 10-2012





BMSK-2120,3120,4120
od 10-2012

BMSK-2120	
Pozice	Kód
1	402591000
2	402595000
3	402501400
4	401515210
5a	401500550
5b	401509000
6	-----
7a	402010500
7b	402085500
8	-----
9	401021700
10	-----
11	407810810
12	-----
13	-----
14	500502215
15a	450533200
15b	450532220
15c	450533125
16a	500504160
16b	500504165
17	450500070
18	450503500
19	450500080
20	450503000
21	450532420
22	-----
23a	-----
23b	409001100
24	407502100
25	450532325
26	-----
27	450533400
28	450533300
29	-----
30	-----

BMSK-3120	
Pozice	Kód
1	402591000
2	402595000
3	402501400
4	401515210
5a	401500550
5b	401509000
6	-----
7a	402010500
7b	402085500
8	-----
9	401021700
10	-----
11	407810810
12	-----
13	-----
14	500502315
15a	450533200
15b	450532230
15c	450533135
16a	500504160
16b	500504165
17	450500070
18	450503500
19	450500080
20	450503000
21	450532430
22	-----
23a	-----
23b	409001100
24	407502100
25	500504035
26	-----
27	450533400
28	450533300
29	-----
30	-----

BMSK-4120	
Pozice	Kód
1	402591000
2	402595000
3	402501400
4	401515210
5a	401500550
5b	401509000
6	-----
7a	402010500
7b	402085500
8	-----
9	401021700
10	-----
11	407810810
12	-----
13	-----
14	500502415
15a	450533200
15b	450532240
15c	450532550
16a	500504160
16b	500504165
17	450500070
18	450503500
19	450500080
20	450503000
21	450532440
22	-----
23a	-----
23b	409001100
24	407502100
25	500504045
26	-----
27	450533400
28	450533300
29	-----
30	-----

Exploded view

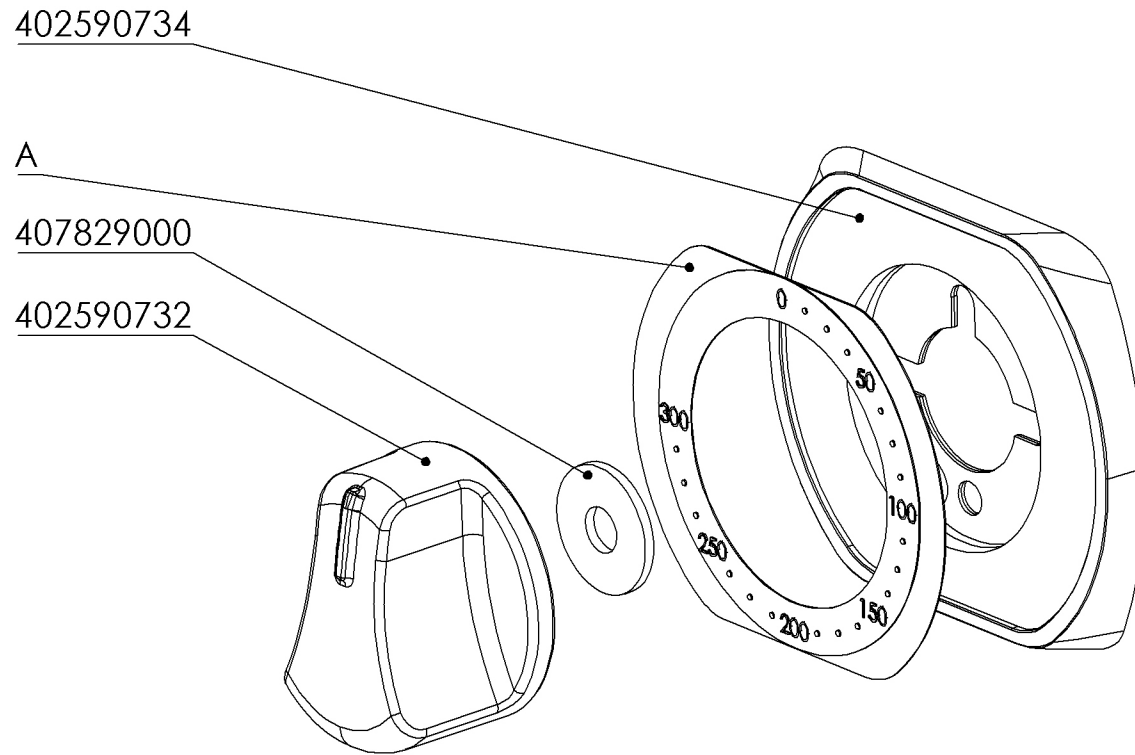


TABLE A: LABELS		
MODEL	CODE	NOTE
BMPK	402594248	
BMPD		
BMSK		
BMSD		