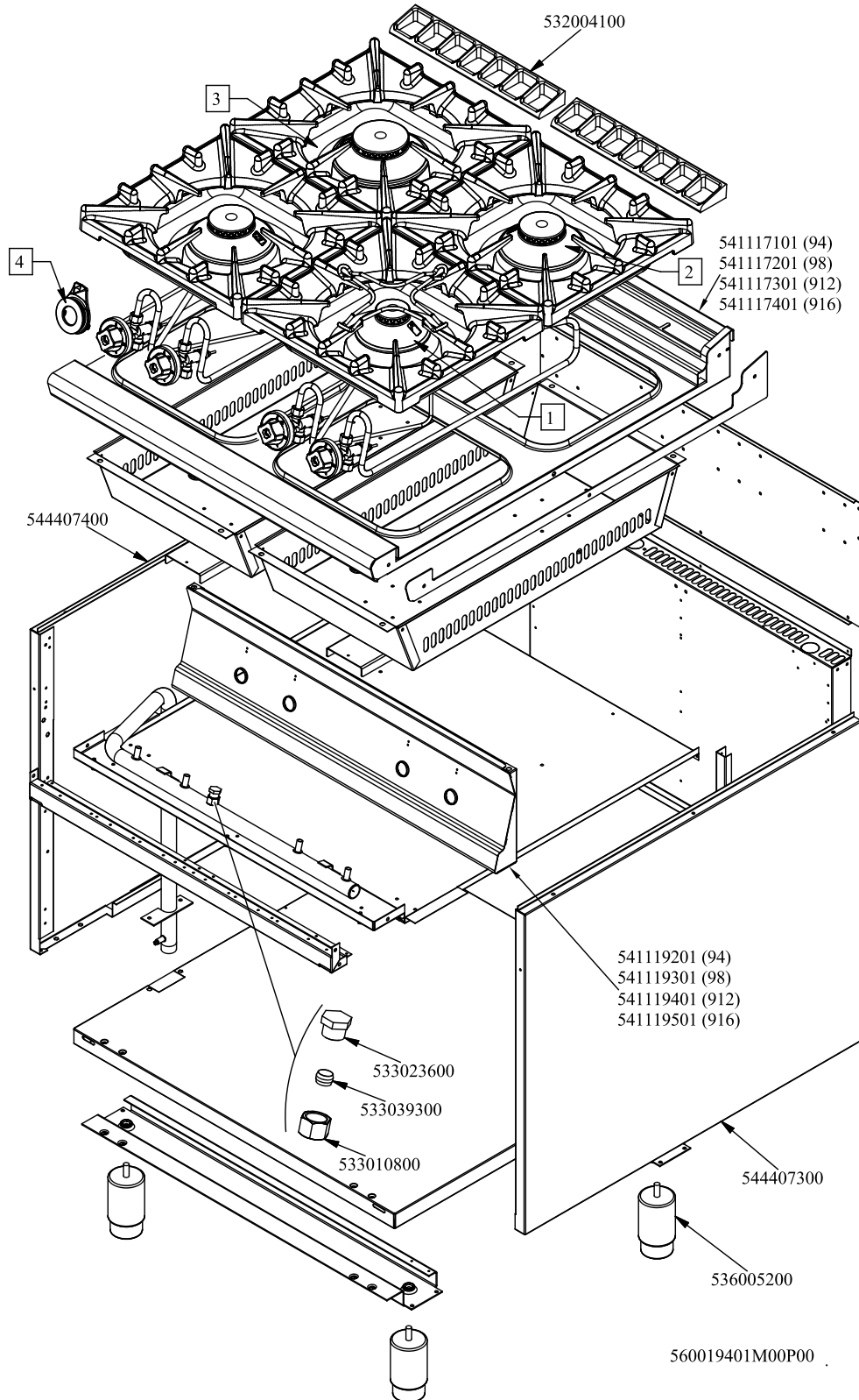


RM 900

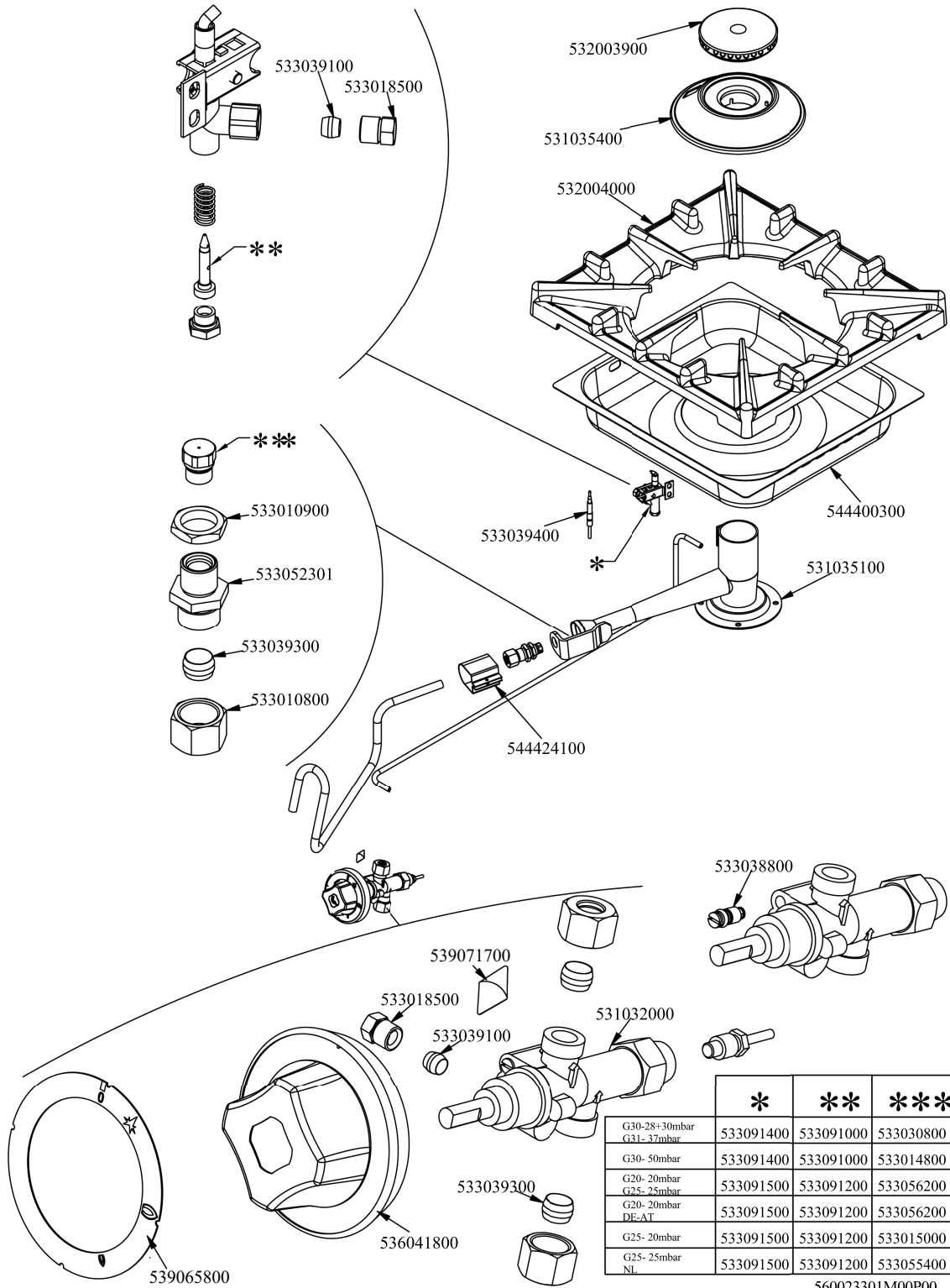
Platný od 1.5. 2019

PC-94G, PC-98G, PC-912G, PC-916G





Objednací kód	Popis v ENG
541119401	
541117301	
532004100	FLUE GRID L=370 90LINE (RAF)
544407300	RIGHT SIDE PANEL 90 LINE
536005200	INOX LEG 2" 120-180 M10
544446900	LHD SIDE FOR 90T APPLIANCES
532004100	FLUE GRID L=370 90LINE (RAF)
544446800	
533010500	LEG M10*25 D.40
544407400	LEFT SIDE PANEL 70 LINE
533023600	TAP PLUG §10 M16*1, 5CH19
533039300	BICONE §10
533010800	TUBE NUT D.10 M16*1,5
-	-
-	-
-	-
-	-

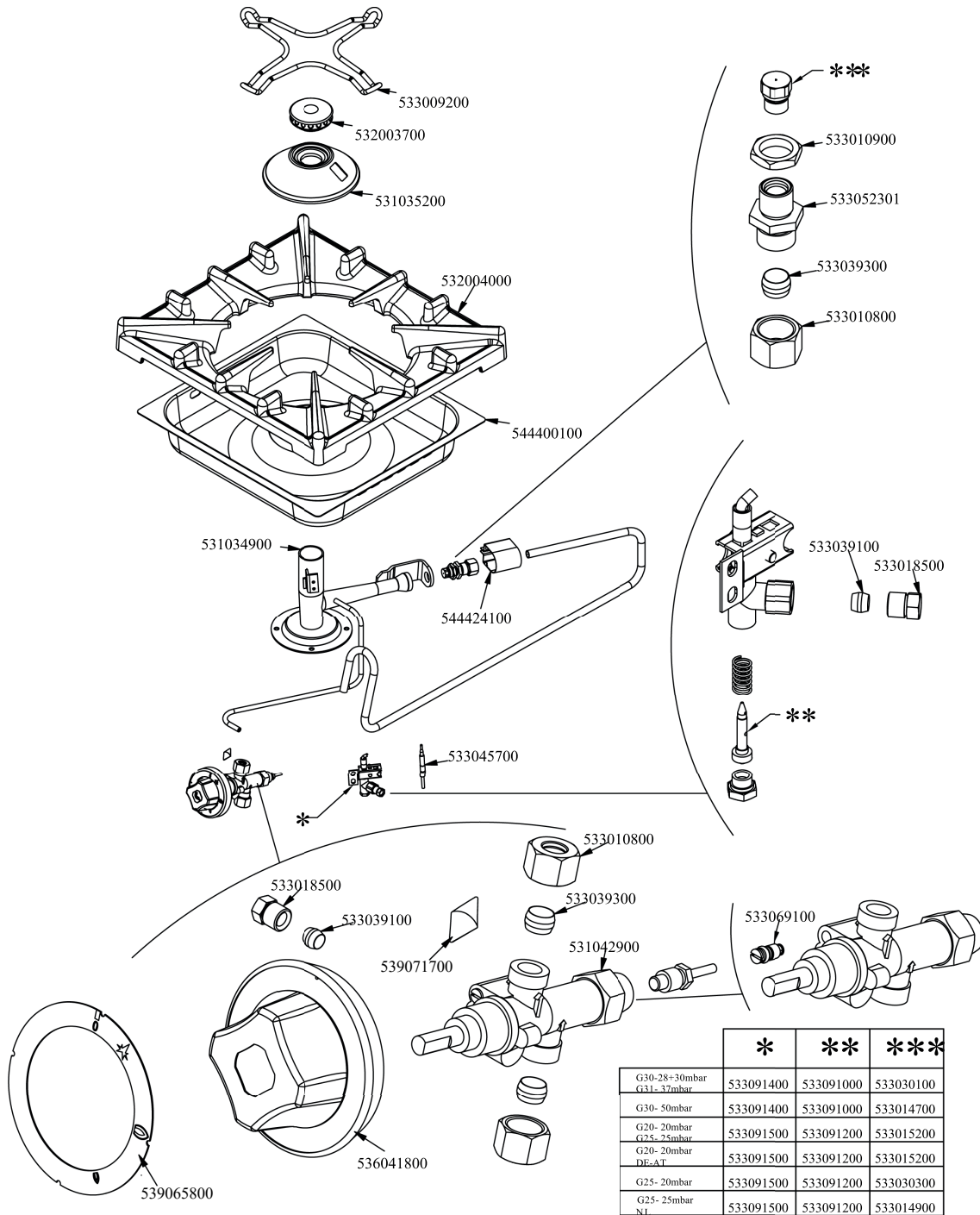


	*	**	***
G30-28+30mbar G31- 37mbar	533091400	533091000	533030800
G30- 50mbar	533091400	533091000	533014800
G20- 20mbar G25- 25mbar	533091500	533091200	533056200
G20- 20mbar DE-AT	533091500	533091200	533056200
G25- 20mbar	533091500	533091200	533015000
G25- 25mbar NL	533091500	533091200	533055400

560023301M00P00



Objednací kód	Popis v ENG
533030800	NOZZLE §155 CH12X14 M-CW
533014800	NOZZLE §135 CH12*14,0
533056200	NOZZLE §230 CH12*14
533015000	NOZZLE D.I 260 G110 (TOWN GAS)
533055400	NOZZLE §245 CH12*14
533091000	NOZZLE 0.100 §20
533091200	PILOT NOZZLE 0100 Ø35 PIL.PC
533091400	P.NOZZLE S100 UG.§20 PC90 LPG-FLUS
533091500	PILOT NOZZLE S.100 §30 PC90 NAT.GAS
539065800	BLACK STICKING DISK 72
536041800	SILVER CHROM. KNOB Ø77 4P.G.Ø08X6,5
533039300	BICONE §10
533039100	BICONE §6
531035400	BIG BURNER BODY 90 LINE
532004000	1 FLAME GRILL 396X366 (90)
544424100	AIR ADJUSTMENT BUSHING*BURNER PC90
533039400	THERMOCOUPLE M9*1*850
533018500	FITTING FOR BICONE D.6 M10*1
539071700	ADHES.LABEL FOR RING GREEN SIGN.
533010800	TUBE NUT D.10 M16*1,5
533052301	JOINT FOR NOZZLE HOLDER
533010900	NUT M14*1 H.4
532003900	BURNER COVER RING §100
544400300	BURNER DRIP PAN 2/3
531035100	BIG BURNER VENTURI 90 LINE
531032000	GAS COCK P.V.BY-PASS Ø075
533038800	75 BY-PASS FOR 2IS TAP



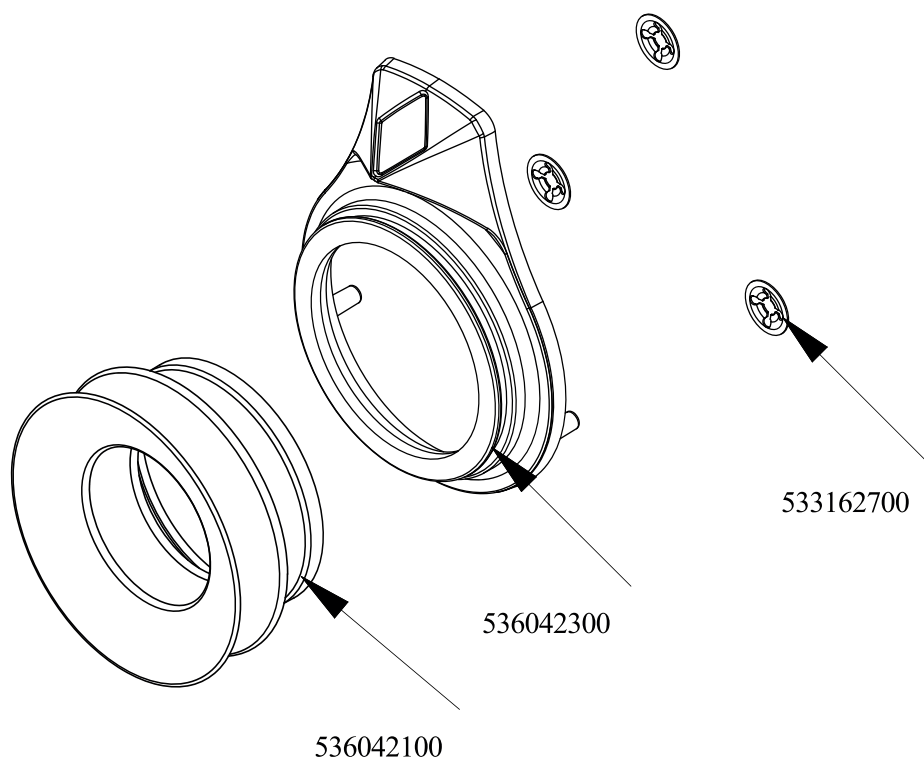
560023101M00P00 .



Objednací kód	Popis v ENG
533030100	NOZZLE §95 CH12*14 G-FP
533014700	NOZZLE §85 CH12*14 F-FQ5
533015200	NOZZLE §145 CH12*14 F-FP/CP6
533030300	NOZZLE §160 CH12*14 M-FPG
533014900	NOZZLE §150 CH12*14 F-FQ5 L-FQ6
533091000	NOZZLE 0.100 §20
533091200	PILOT NOZZLE 0100 Ø35 PIL.PC
533091400	P.NOZZLE S100 UG.§20 PC90 LPG-FLUS
533091500	PILOT NOZZLE S.100 §30 PC90 NAT.GAS
539065800	BLACK STICKING DISK 72
536041800	SILVER CHROM. KNOB Ø77 4P.G.Ø08X6,5
533039300	BICONE §10
533010800	TUBE NUT D.10 M16*1,5
531042900	B.PASS §60 SAFETY COCK PC/CF 90
533009200	REDUCTION GRATE FOR 65-70LINES+FO
532003700	BURNER COVER RING §060
531035200	SMALL BURNER BODY 90 LINE
532004000	1 FLAME GRILL 396X366 (90)
544400100	BURNER DRIP PAN 2/3
531034900	SMALL BURNER VENTURI 90 LINE
533018500	FITTING FOR BICONE D.6 M10*1
533039100	BICONE §6
539071700	ADHES.LABEL FOR RING GREEN SIGN.
544424100	AIR ADJUSTMENT BUSHING*BURNER PC90
533045700	THERMOCOUPLE M9*1 500
533069100	BY PASS COCK §60 20S
533052301	JOINT FOR NOZZLE HOLDER
533010900	NUT M14*1 H.4



Objednací kód	Popis v ENG
533043800	NOZZLE §130 CH12*14 G-CW4
533043900	NOZZLE §115 CH12*14 F-CW4
533044000	NOZZLE §195 CH12*14 M-CW4
533055100	NOZZLE §215 CH12*14 L-CW4
533055000	NOZZLE §205 CH12*14 G25 CW4
533091000	NOZZLE 0.100 §20
533091200	PILOT NOZZLE 0100 Ø35 PIL.PC
533091400	P.NOZZLE S100 UG.§20 PC90 LPG-FLUS
533091500	PILOT NOZZLE S.100 §30 PC90 NAT.GAS
539065800	BLACK STICKING DISK 72
536041800	SILVER CHROM. KNOB Ø77 4P.G.Ø08X6,5
533039100	BICONE §6
533010900	NUT M14*1 H.4
533052301	JOINT FOR NOZZLE HOLDER
533039300	BICONE §10
533010800	TUBE NUT D.10 M16*1,5
533018500	FITTING FOR BICONE D.6 M10*1
532003800	BURNER COVER RING §082
531035300	MEDIUM BURNER BODY 90 LINE
532004000	1 FLAME GRILL 396X366 (90)
544400200	BURNER DRIP PAN 2/3
531035000	MEDIUM BURNER VENTURI 90 LINE
544424100	AIR ADJUSTMENT BUSHING*BURNER PC90
533039400	THERMOCOUPLE M9*1*850
531043000	GAS COCK 21S P.V. BY-PASS §065
539071700	ADHES.LABEL FOR RING GREEN SIGN.
533080200	BY PASS COCK §65 20S-21S



560125700M00P00



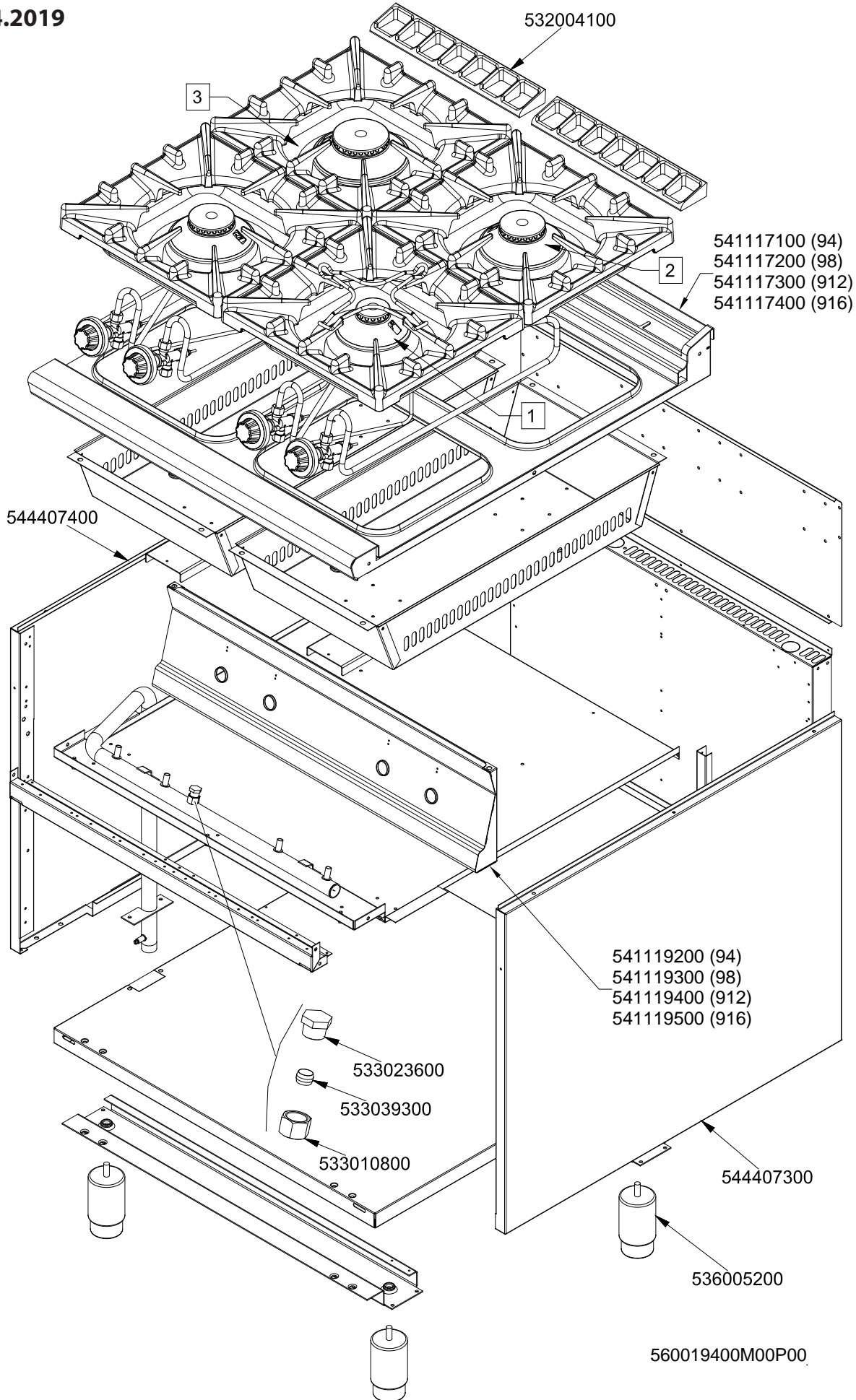
Objednačí kód	Popis v ENG
536042300	SILVER CHROM. RING FOR KNOB Ø77 4 P
536042100	SEAL CASING FOR KNOB Ø77 4 P
533162700	PROCESSING CODE



PC - 94 G, PC - 98 G, PC - 912 G, PC - 916 G

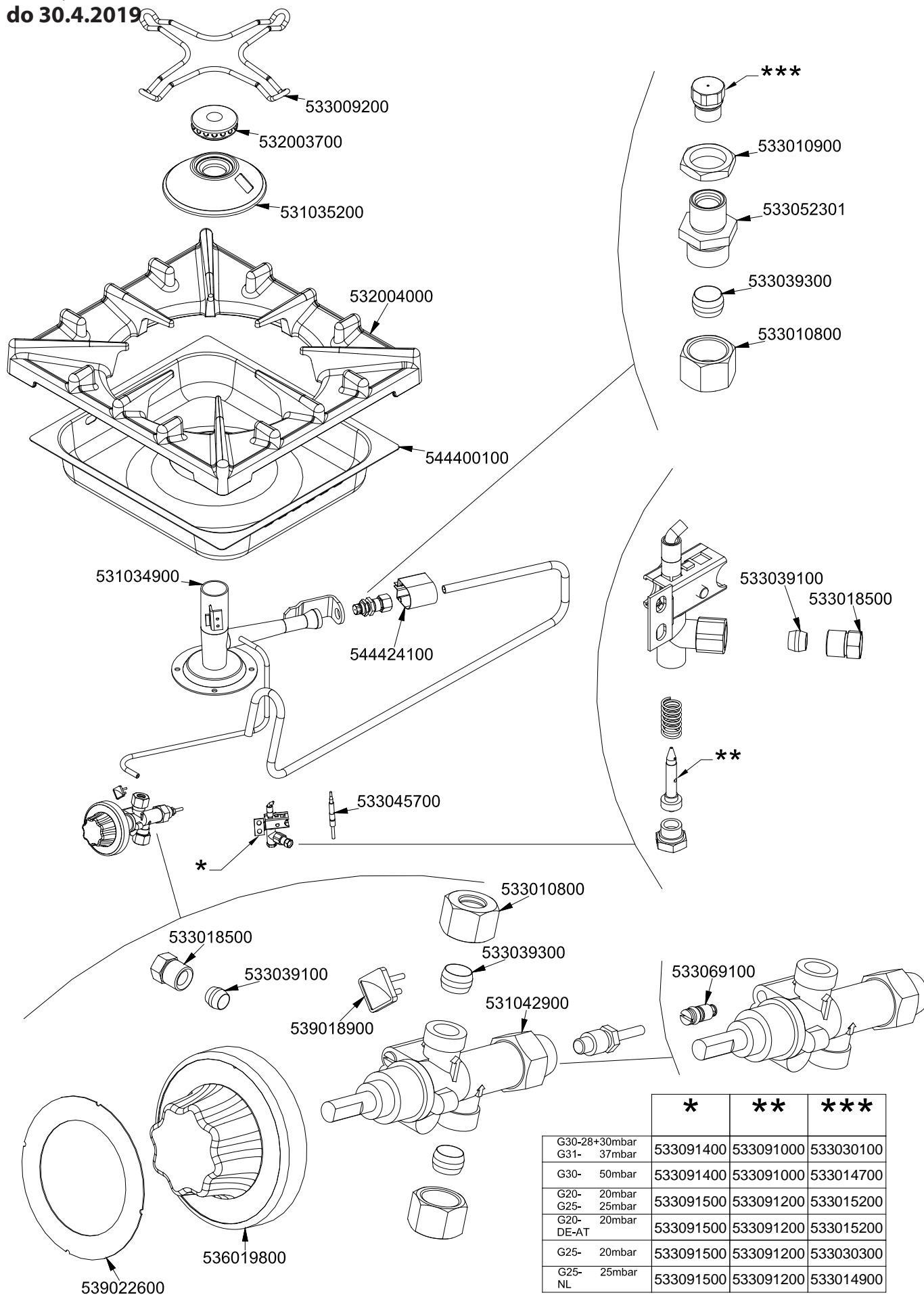
Platný od 1.5.2016

do 30.4.2019





PC - 94 G, PC - 98 G, PC - 912 G, PC - 916 G
 PC-G 4KW
 Platný od 1.5.2016
 do 30.4.2019



	*	**	***
G30-28+30mbar G31- 37mbar	533091400	533091000	533030100
G30- 50mbar	533091400	533091000	533014700
G20- 20mbar G25- 25mbar	533091500	533091200	533015200
G20- DE-AT	533091500	533091200	533015200
G25- 20mbar	533091500	533091200	533030300
G25- NL	533091500	533091200	533014900

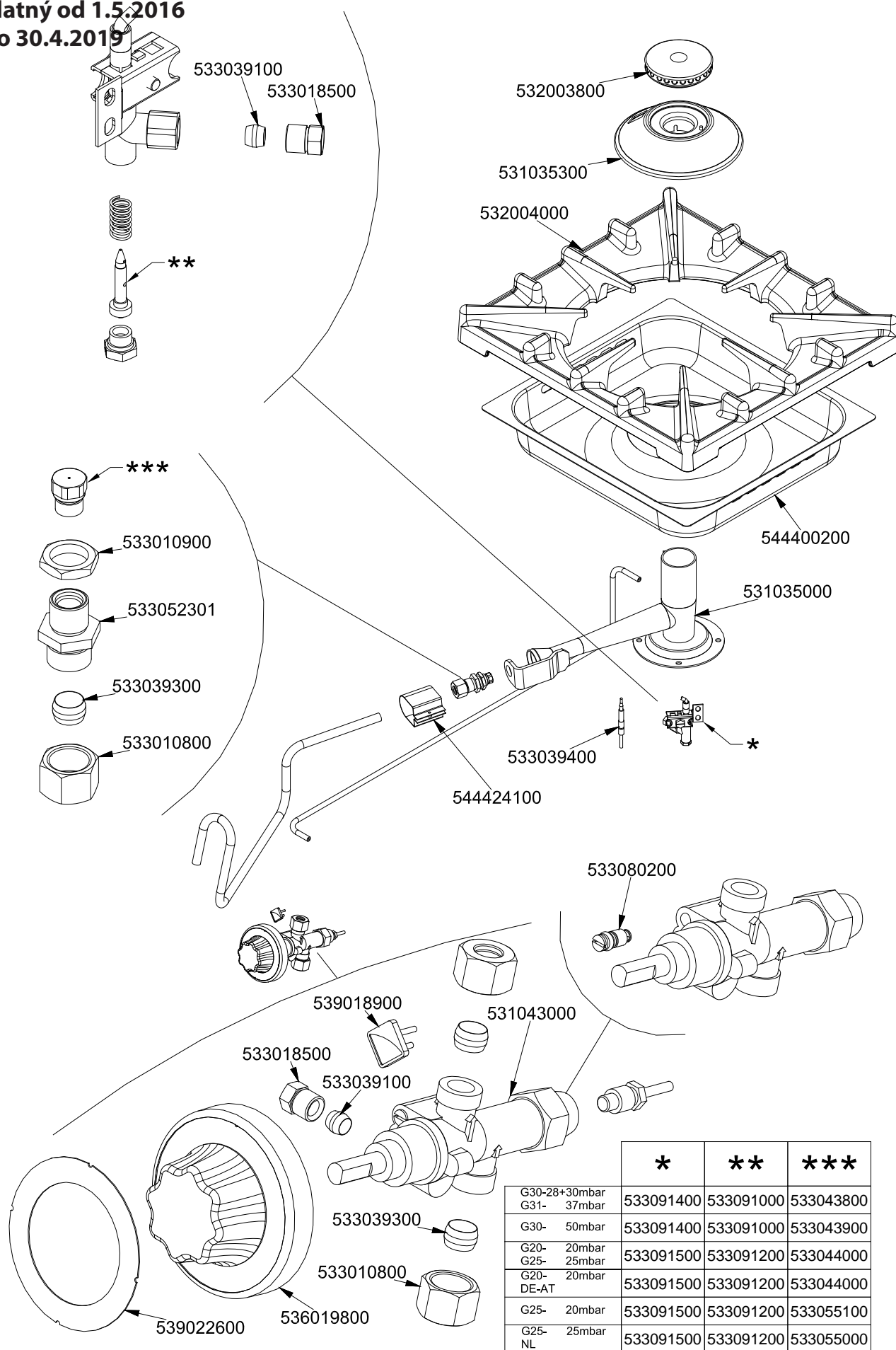


PC - 94 G, PC - 98 G, PC - 912 G, PC - 916 G

PC-G 7KW

Platný od 1.5.2016

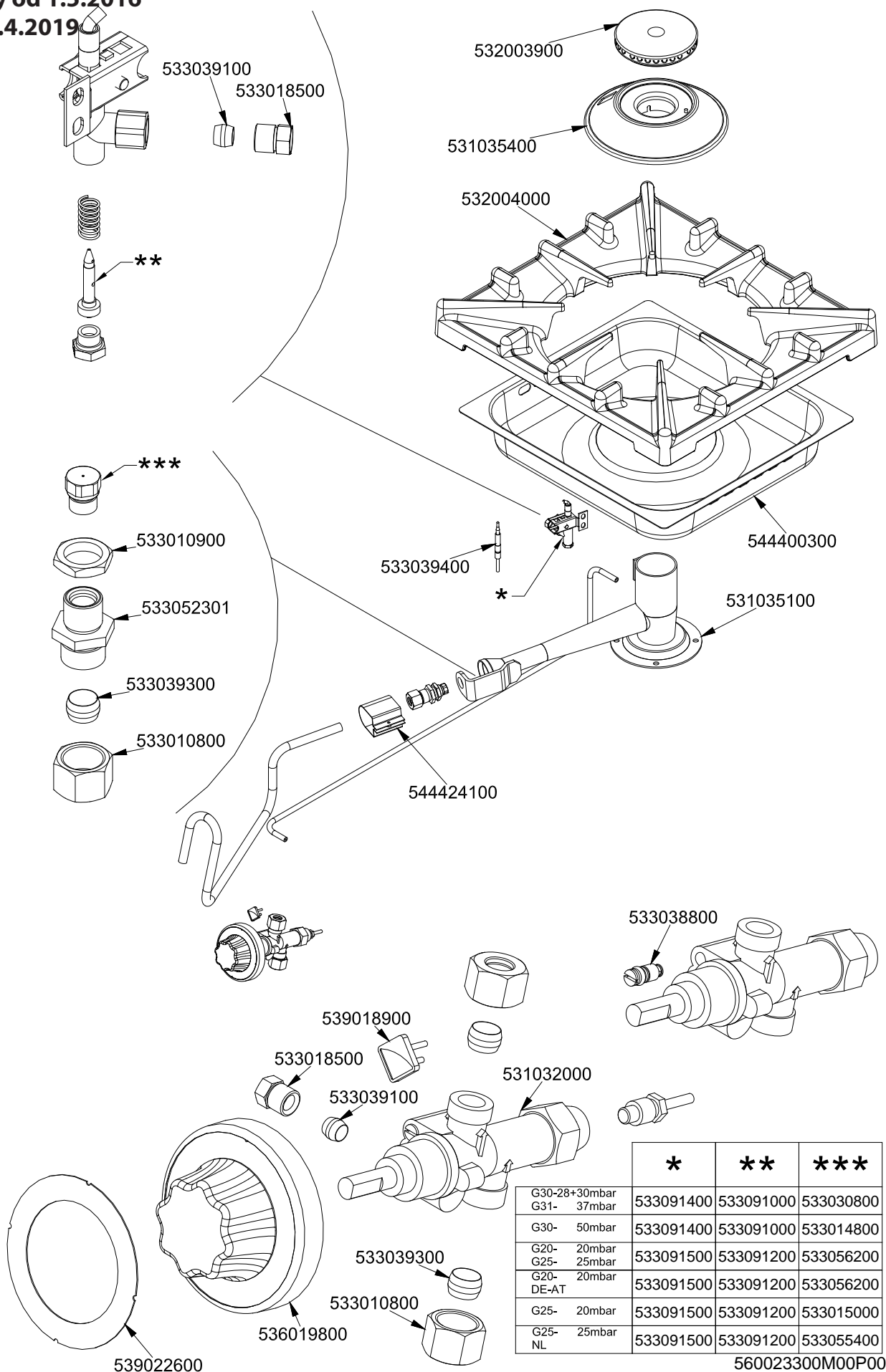
do 30.4.2019



	*	**	***
G30-28+30mbar G31- 37mbar	533091400	533091000	533043800
G30- 50mbar	533091400	533091000	533043900
G20- 20mbar G25- 25mbar	533091500	533091200	533044000
G20- DE-AT	533091500	533091200	533044000
G25- 20mbar	533091500	533091200	533055100
G25- NL	533091500	533091200	533055000



PC - 94 G, PC - 98 G, PC - 912 G, PC - 916 G
 PC-G 10KW
 Platný od 1.5.2016
 do 30.4.2019



	*	**	***
G30-28+30mbar	533091400	533091000	533030800
G31- 37mbar	533091400	533091000	533014800
G30- 50mbar	533091400	533091000	533014800
G20- 20mbar	533091500	533091200	533056200
G25- 25mbar	533091500	533091200	533056200
G20- 20mbar	533091500	533091200	533056200
DE-AT	533091500	533091200	533056200
G25- 20mbar	533091500	533091200	533015000
G25- 25mbar	533091500	533091200	533055400
NL	533091500	533091200	533055400

560023300M00P00