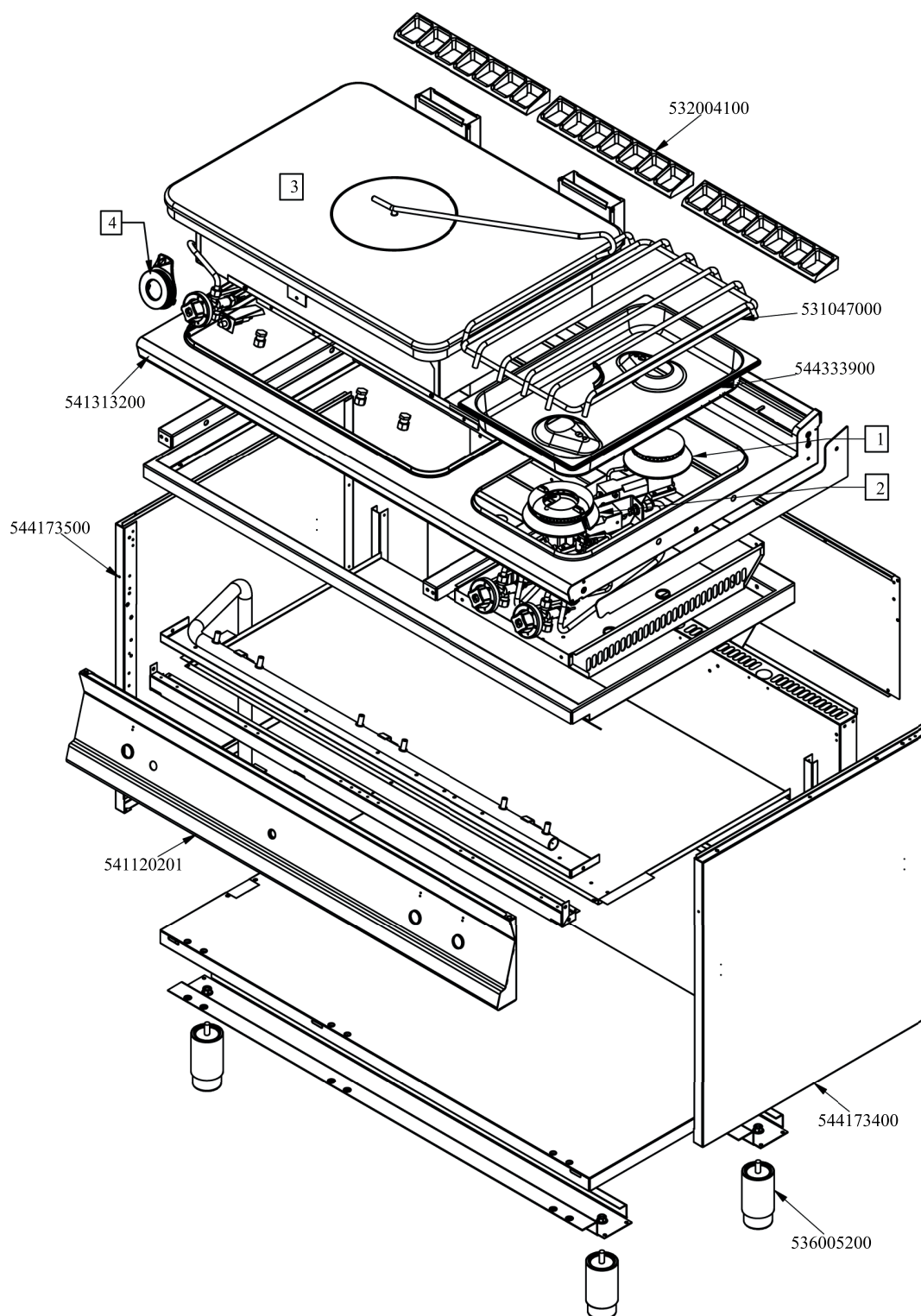


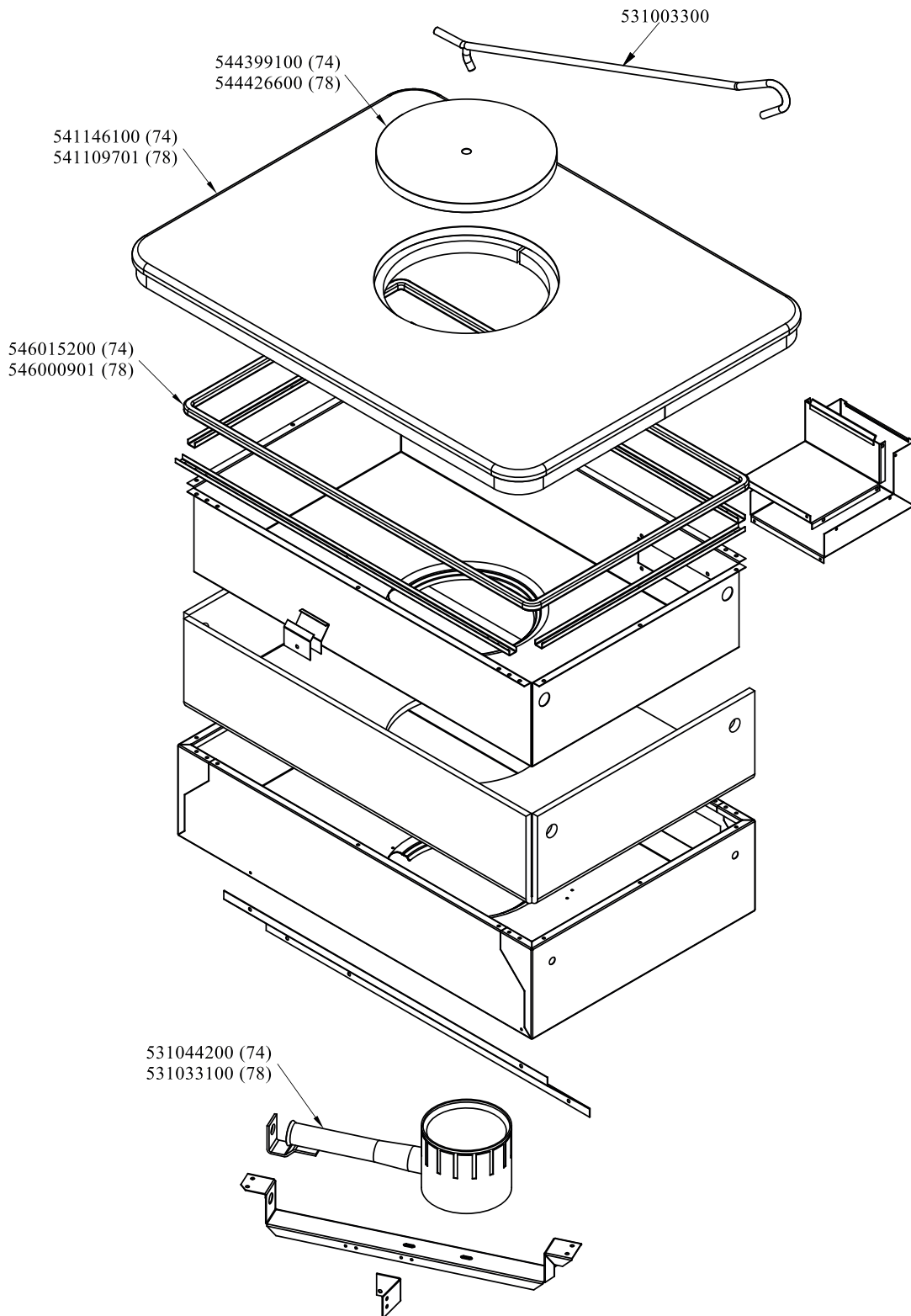
RM 700  
Platný od 1.5. 2019  
TP2-712G



560042001M00P00

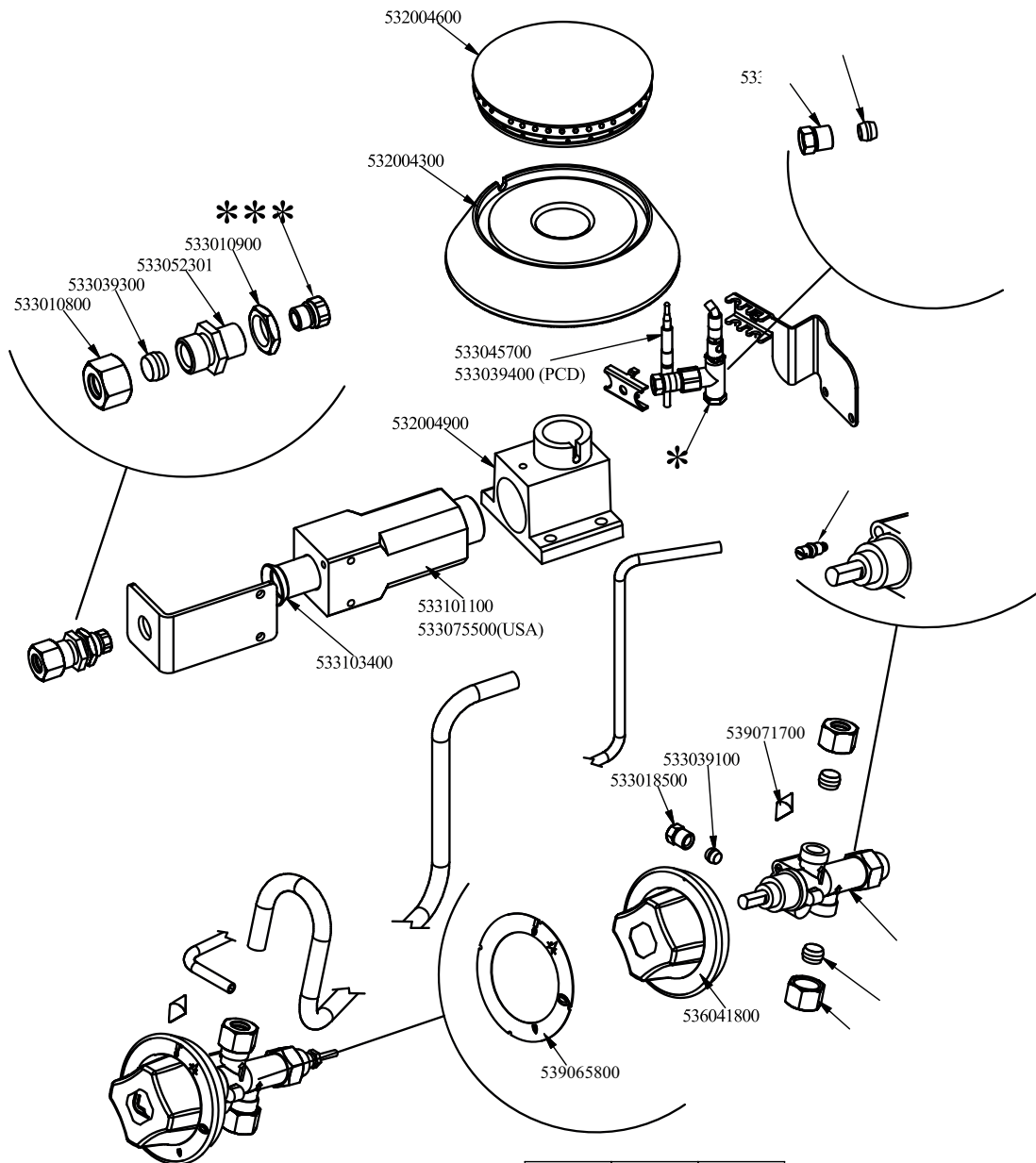


| Objednací kód | Popis v ENG                  |
|---------------|------------------------------|
| 531047000     | 2 BURNER GRID FOR PC-700     |
| 544333900     | BURNER CONTAINER 1/1GN R 304 |
| 532004100     | FLUE GRID L=370 90LINE (RAF) |
| 541313200     |                              |
| 544173500     | LEFT SIDE PANEL S.70         |
| 541120201     |                              |
| 544173400     | RIGHT SIDE PANEL S.70        |
| 536005200     | INOX LEG 2" 120-180 M10      |
| -             | -                            |
| -             | -                            |
| -             | -                            |
| -             | -                            |





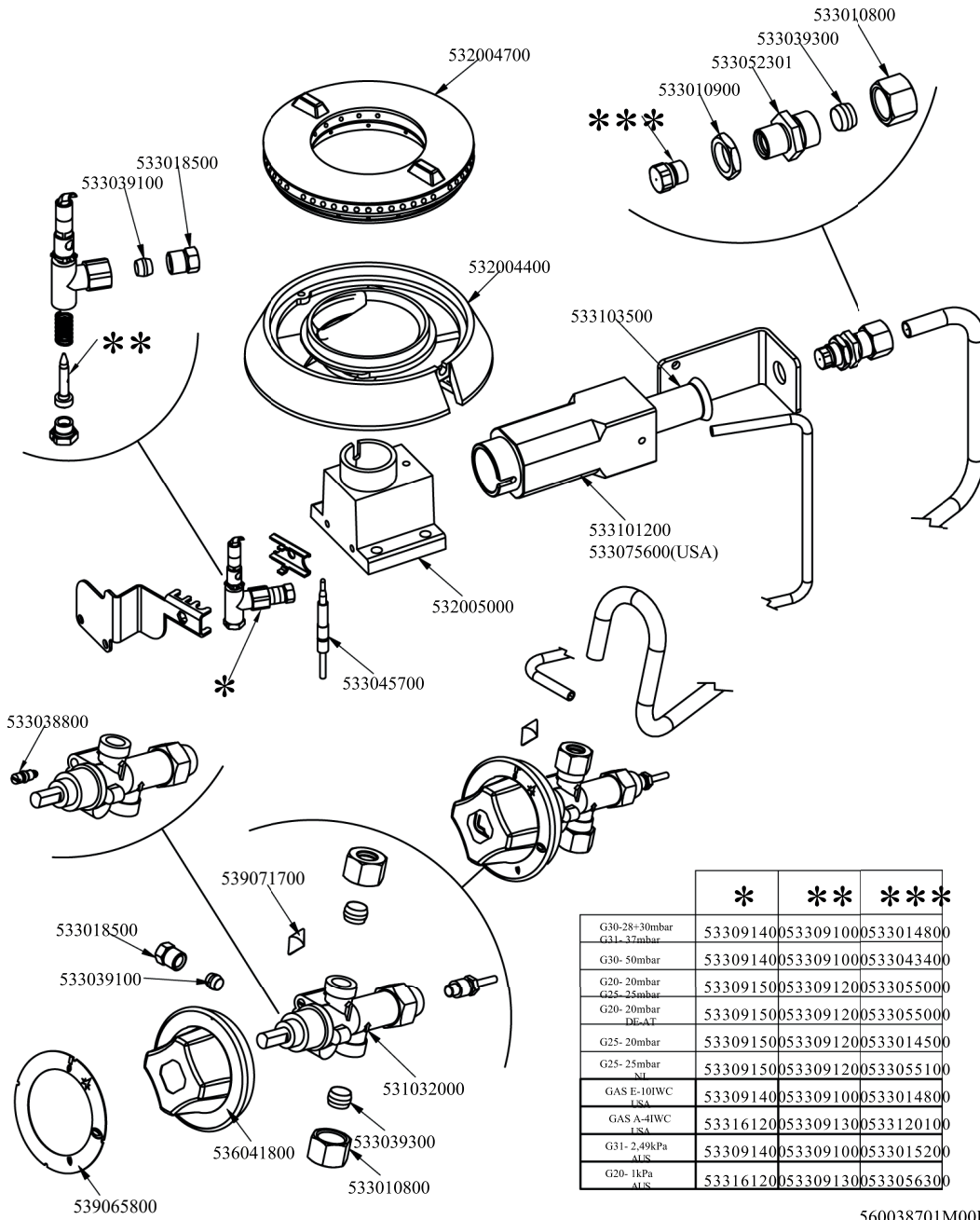
| Objednací kód | Popis v ENG                         |
|---------------|-------------------------------------|
| 531003300     | TP-PLATE LIFTING HOOK               |
| 544399100     | PLATE RING FOR TP-74G TP-94G        |
| 544426600     | PLATE RING FOR TP-98G               |
| 541146100     | PLATE TP-74G                        |
| 541109701     | UPPER PLATE TP-78G                  |
| 546015200     | SQUARE BRAID 12*12*L=1495           |
| 546000901     | SQUARE BRAID OF INSULATING MATERIAL |
| 531044200     | CIRCULAR BURNER TP D.066            |
| 531033100     | BURNER TP..-78G                     |



|                             | *         | **        | **        |
|-----------------------------|-----------|-----------|-----------|
| G30-28+30mbar<br>G31-37mbar | 533091400 | 533091000 | 533043900 |
| G30-50mbar                  | 533091400 | 533091000 | 533019300 |
| G20-20mbar<br>G25-25mbar    | 533091500 | 533091200 | 533031000 |
| G20-20mbar<br>DE-AT         | 533091500 | 533091200 | 533031000 |
| G25-20mbar                  | 533091500 | 533091200 | 533043500 |
| G25-25mbar<br>NL            | 533091500 | 533091200 | 533019400 |
| GAS E-10IWC<br>USA          | 533091400 | 533091000 | 533043200 |
| GAS A-4IWC<br>USA           | 533161200 | 533091300 | 533043100 |
| G31-2,49kPa<br>AUS          | 533091400 | 533091000 | 533043900 |
| G20-1kPa<br>AUS             | 533161200 | 533091300 | 533043500 |



| Objednačí kód | Popis v ENG                         |
|---------------|-------------------------------------|
| 533069100     | BY PASS COCK §60 20S                |
| 533103400     | AIR ADJUSTMENT BUSHING D20 EST.H57  |
| 533018500     | FITTING FOR BICONE D.6 M10*1        |
| 533039100     | BICONE §6                           |
| 539071700     | ADHES.LABEL FOR RING GREEN SIGN.    |
| 533010800     | TUBE NUT D.10 M16*1,5               |
| 533039300     | BICONE §10                          |
| 533052301     | JOINT FOR NOZZLE HOLDER             |
| 533010900     | NUT M14*1 H.4                       |
| 532004600     | BURNER COVER RING R D104            |
| 532004300     | MIDDLE BURNER BODY 70LINE P.        |
| 532004900     | ELBOW FITTING OF BURNER VENTURI R   |
| 531042900     | B.PASS §60 SAFETY COCK PC/CF 90     |
| 536041800     | SILVER CHROM. KNOB Ø77 4P.G.Ø08X6,5 |
|               |                                     |
| 533045700     | THERMOCOUPLE M9*1 500               |
| 533039400     | THERMOCOUPLE M9*1*850               |
| 539065800     | BLACK STICKING DISK 72              |
|               |                                     |
| 533101100     | BURNER VENTURI R                    |
| 533075500     | BURNER VENTURI 5,5KW S70 USA        |
| 533091400     | P.NOZZLE S100 UG.§20 PC90 LPG-FLUS  |
| 533091500     | PILOT NOZZLE S.100 §30 PC90 NAT.GAS |
|               |                                     |
| 533091000     | NOZZLE 0.100 §20                    |
| 533091200     | PILOT NOZZLE 0100 Ø35 PIL.PC        |
| 533091300     | PILOT NOZZLE 0100 Ø40 PIL.PC        |
| 533043900     | NOZZLE §115 CH12*14 F-CW4           |
| 533019300     | NOZZLE §100 G-FQ5 F-CW              |
| 533031000     | NOZZLE §175 CH12X14                 |
| 533043500     | NOZZLE §190 CH12*14 G25 PC4R        |
| 533019400     | NOZZLE §180 CH12*14 L-FQ5           |
| 533043200     | NOZZLE §110 G30 (LPG) CH12X14       |
| 533043100     | NOZZLE §185 G25 CH12X14             |

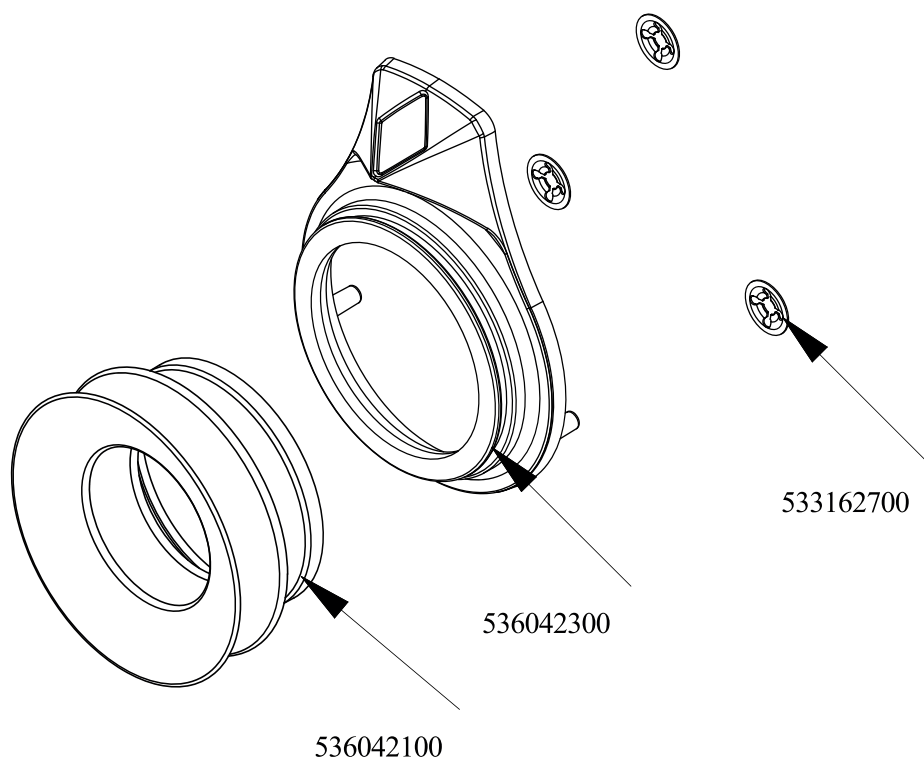


560038701M00P00



| Objednací kód | Popis v ENG                         |
|---------------|-------------------------------------|
| 533010900     | NUT M14*1 H.4                       |
| 533052301     | JOINT FOR NOZZLE HOLDER             |
| 533039300     | BICONE §10                          |
| 533010800     | TUBE NUT D.10 M16*1,5               |
| 532004400     | BIG BURNER BODY 70LINE P.           |
| 532004700     | BURNER COVER RING UR D128           |
| 533103500     | AIR ADJUSTMENT BUSHING D22 EST.H57  |
| 532005000     | ELBOW FITTING OF BURNER VENTURI UR  |
| 533039100     | BICONE §6                           |
| 533018500     | FITTING FOR BICONE D.6 M10*1        |
| 533038800     | 75 BY-PASS FOR 21S TAP              |
| 533045700     | THERMOCOUPLE M9*1 500               |
| 531032000     | GAS COCK P.V.BY-PASS Ø075           |
| 539071700     | ADHES.LABEL FOR RING GREEN SIGN.    |
| 536041800     | SILVER CHROM. KNOB Ø77 4P.G.Ø08X6,5 |
|               |                                     |
| 539065800     | BLACK STICKING DISK 72              |
|               |                                     |
| 533101200     | BURNER VENTURI UR                   |
| 533075600     | BURNER VENTURI 7,5KW S70 USA        |
| 533091400     | P.NOZZLE S100 UG.§20 PC90 LPG-FLUS  |
| 533091500     | PILOT NOZZLE S.100 §30 PC90 NAT.GAS |
| 533161200     |                                     |
| 533091000     | NOZZLE 0.100 §20                    |
| 533091200     | PILOT NOZZLE 0100 Ø35 PIL.PC        |
| 533091300     | PILOT NOZZLE 0100 Ø40 PIL.PC        |
| 533014800     | NOZZLE §135 CH12*14,0               |
| 533043400     | NOZZLE §117 CH12*14 G-PC4 UR        |
| 533055000     | NOZZLE §205 CH12*14 G25 CW4         |
| 533014500     | NOZZLE §225 CH12*14 OVEN GN 2/1     |
| 533055100     | NOZZLE §215 CH12*14 L-CW4           |
| 533120100     | NOZZLE §210 CH12*14,0               |
| 533015200     | NOZZLE §145 CH12*14 F-FP/CP6        |
| 533056300     | NOZZLE §240 CH12*14                 |





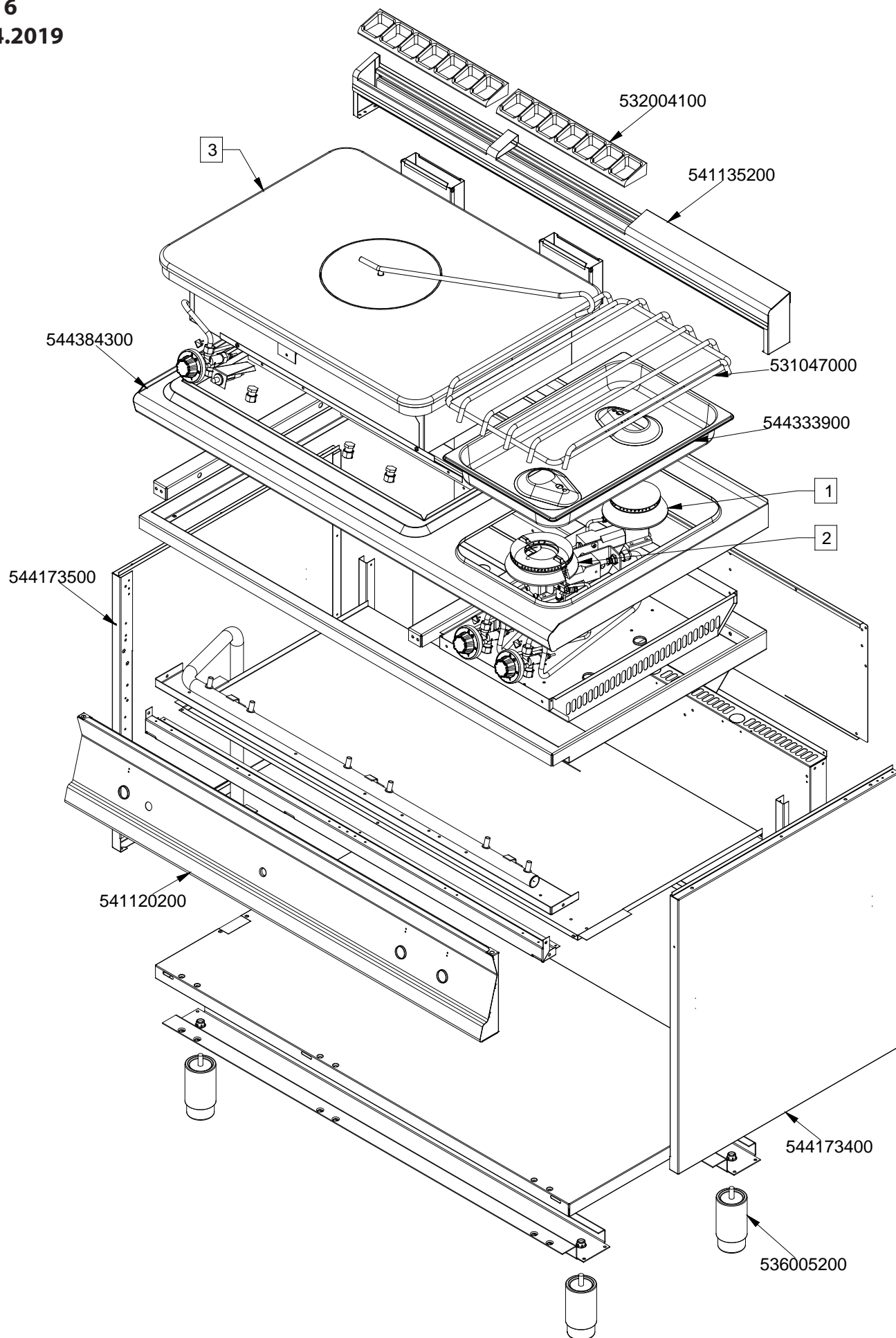
560125700M00P00



| Objednací kód | Popis v ENG                         |
|---------------|-------------------------------------|
| 536042300     | SILVER CHROM. RING FOR KNOB Ø77 4 P |
| 536042100     | SEAL CASING FOR KNOB Ø77 4 P        |
| 533162700     | PROCESSING CODE                     |

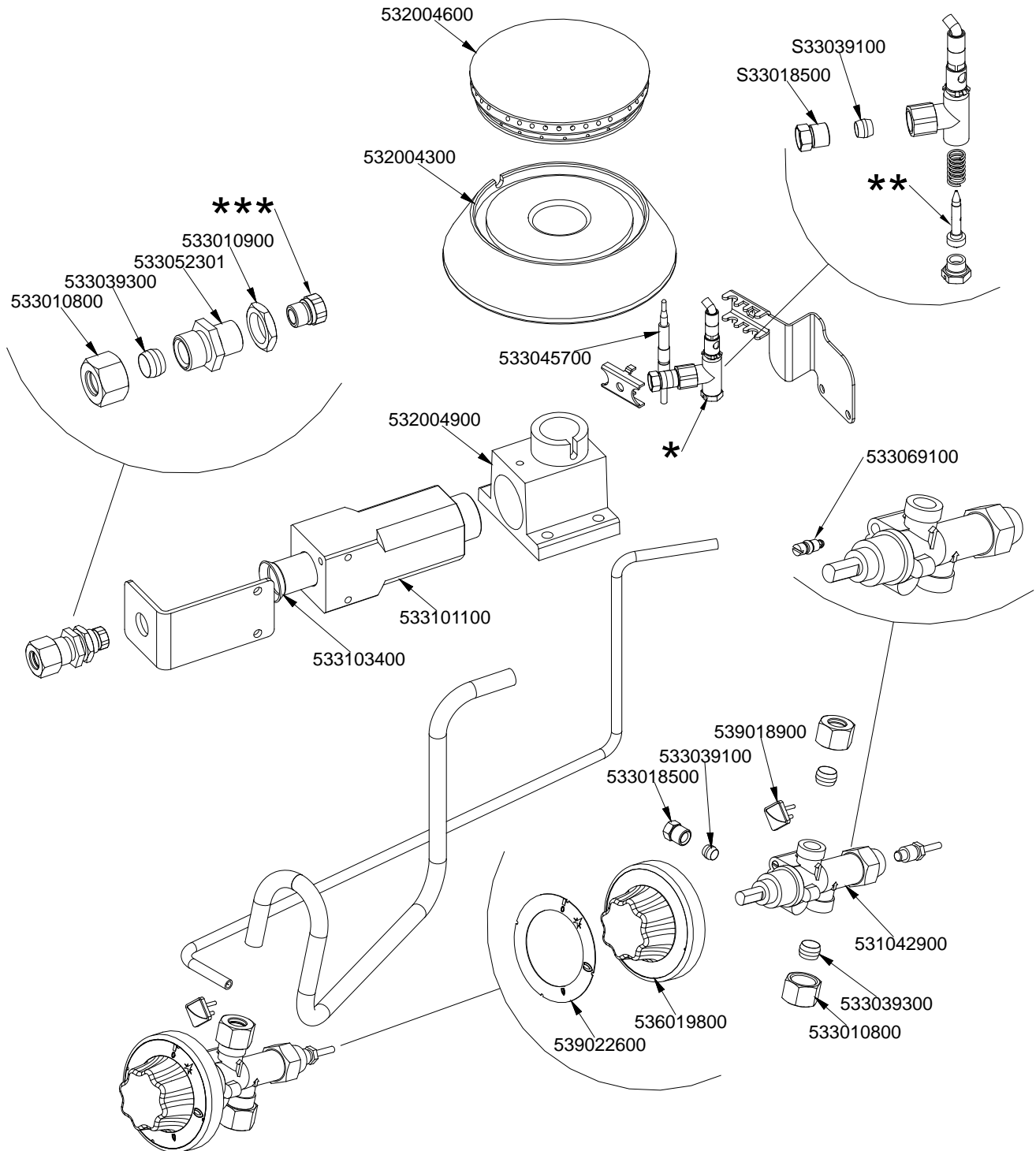


TP2 - 712 GP  
 Platný od  
 1.5.2016  
 do 30.4.2019





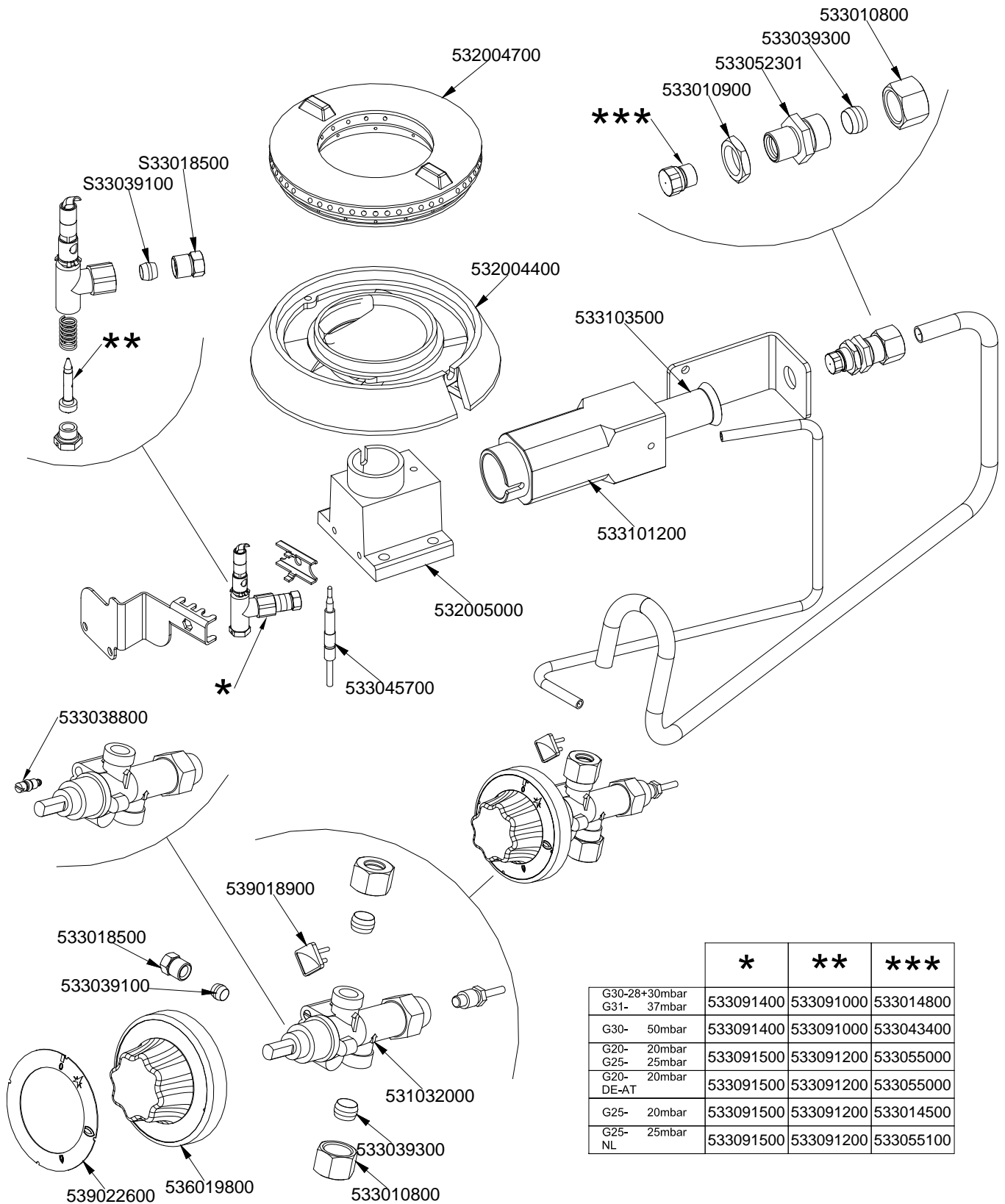
TP2 - 712 GP  
 PC-G R  
 (1)  
 Platný od  
 1.5.2016  
 do 30.4.2019



|                              | *         | **        | ***       |
|------------------------------|-----------|-----------|-----------|
| G30-28+30mbar<br>G31- 37mbar | 533091400 | 533091000 | 533043900 |
| G30- 50mbar                  | 533091400 | 533091000 | 533019300 |
| G20- 20mbar<br>G25- 25mbar   | 533091500 | 533091200 | 533031000 |
| G20-<br>DE-AT                | 533091500 | 533091200 | 533031000 |
| G25- 20mbar                  | 533091500 | 533091200 | 533043500 |
| G25-<br>NL                   | 533091500 | 533091200 | 533019400 |



**TP2 - 712 GP**  
**PC-G UR (2)**  
**Platný od**  
**1.5.2016**  
**do 30.4.2019**



|                              | *         | **        | ***       |
|------------------------------|-----------|-----------|-----------|
| G30-28+30mbar<br>G31- 37mbar | 533091400 | 533091000 | 533014800 |
| G30- 50mbar                  | 533091400 | 533091000 | 533043400 |
| G20- 20mbar<br>G25- 25mbar   | 533091500 | 533091200 | 533055000 |
| G20-<br>DE-AT 20mbar         | 533091500 | 533091200 | 533055000 |
| G25- 20mbar                  | 533091500 | 533091200 | 533014500 |
| G25- 25mbar<br>NL            | 533091500 | 533091200 | 533055100 |

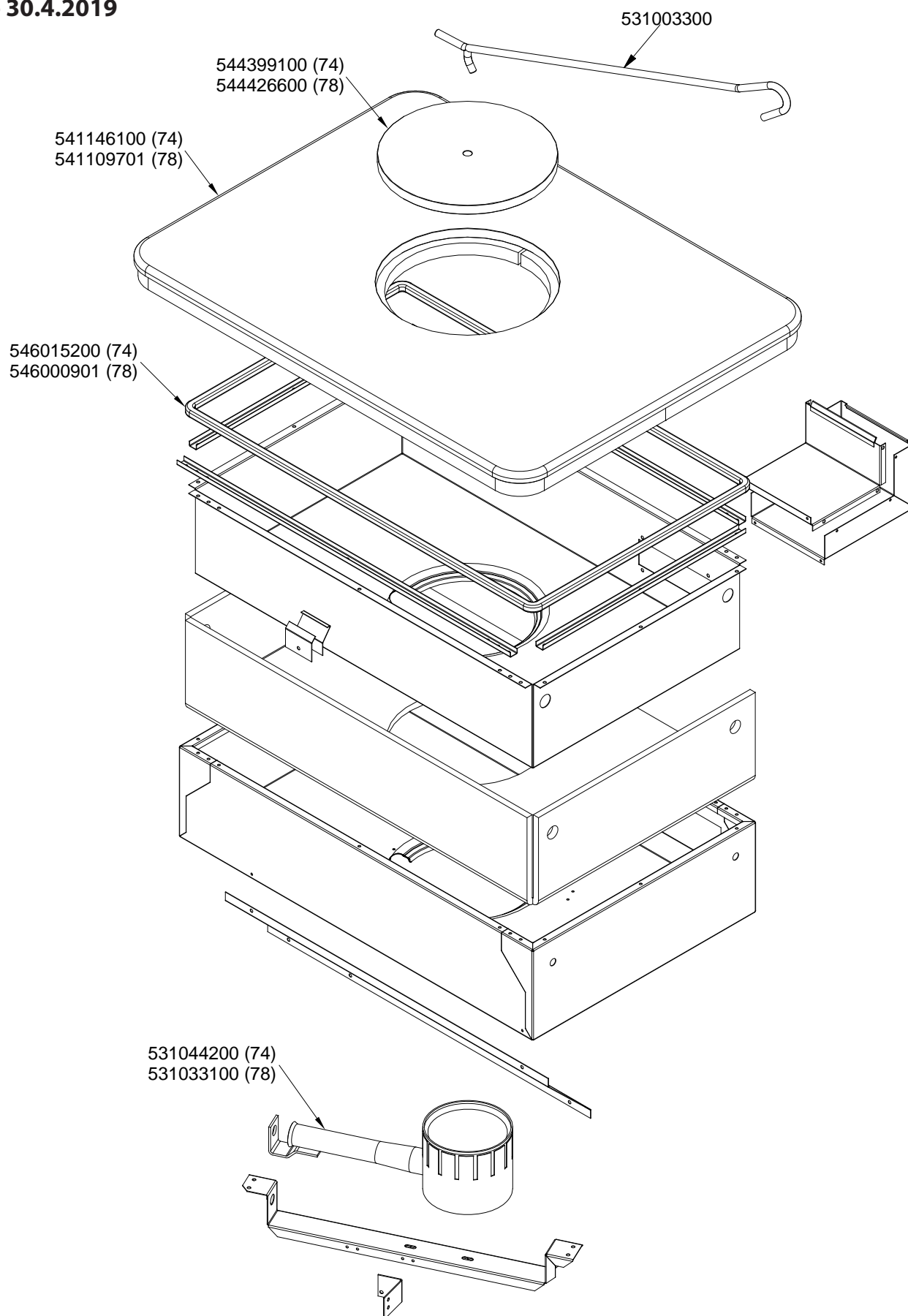
## TP2 - 712 GP

(3)

Platný od

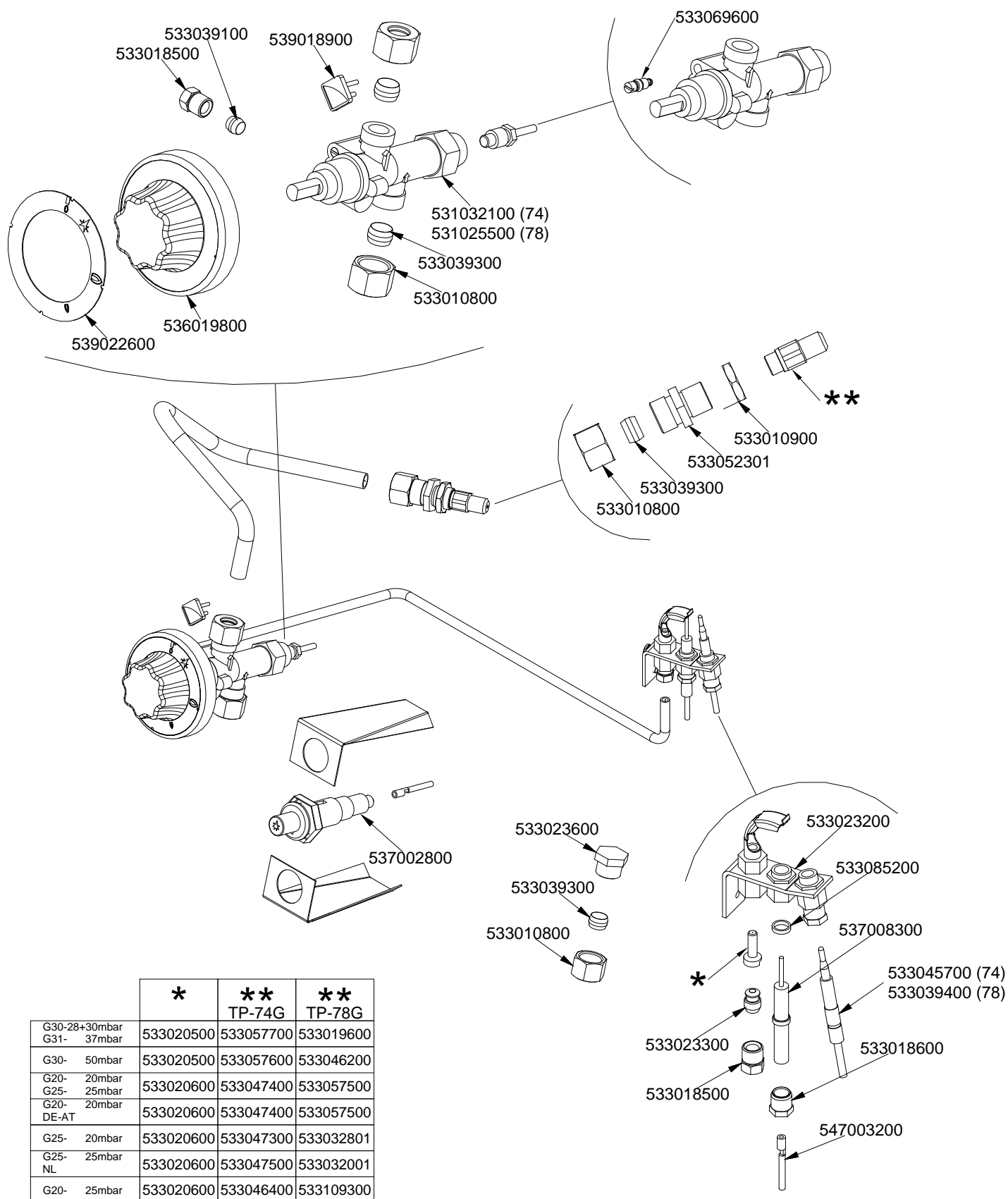
1.5.2016

do 30.4.2019





**TP2 - 712 GP**  
**Platný od**  
**1.5.2016**  
**do 30.4.2019**



|                              | *         | **        | **        |
|------------------------------|-----------|-----------|-----------|
|                              |           | TP-74G    | TP-78G    |
| G30-28+30mbar<br>G31- 37mbar | 533020500 | 533057700 | 533019600 |
| G30- 50mbar                  | 533020500 | 533057600 | 533046200 |
| G20- 20mbar<br>G25- 25mbar   | 533020600 | 533047400 | 533057500 |
| G20- 20mbar<br>DE-AT         | 533020600 | 533047400 | 533057500 |
| G25- 20mbar                  | 533020600 | 533047300 | 533032801 |
| G25- 25mbar<br>NL            | 533020600 | 533047500 | 533032001 |
| G20- 25mbar                  | 533020600 | 533046400 | 533109300 |