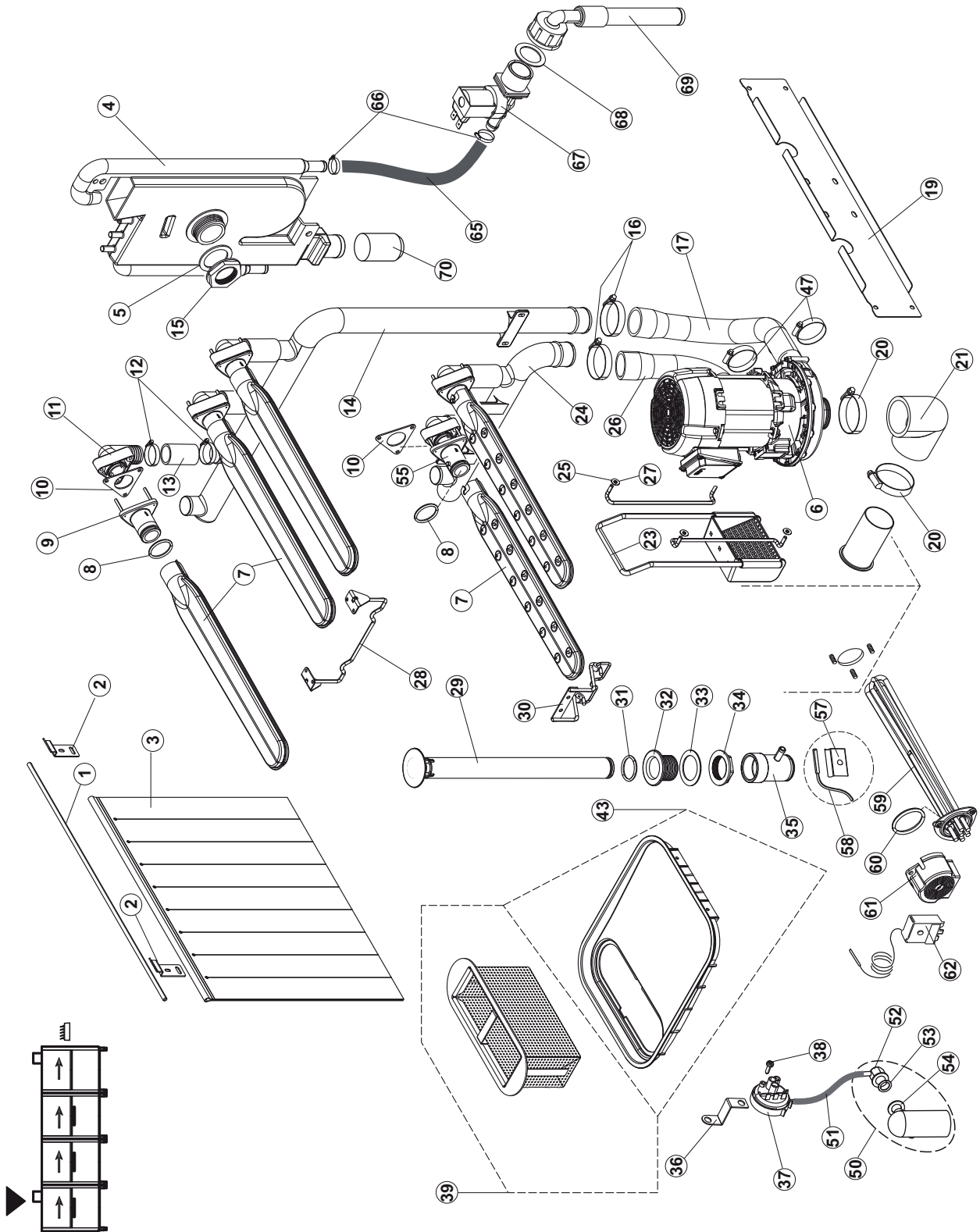




XT 300
2022_01
1

Pozice	Název	Kód
1	BACK PANEL	65244
2	BACK PANEL	65080
3	FRONT PANEL	65035
6	SIDE PANEL	65054
7	FOOT	73100
8	FRONT PANEL	65287
9	KIT DOOR WASH UNIT	K65282
10	DOOR SPRING KIT	65654
11	CORNER FRONT RIGHT PANEL	65338
14	CORNER REAR LEFT PANEL	65259
15	TOP PANEL HEAT RECOVERY MODULE RIGHT EXIT	65164
16	BRACKET	65256
17	MAGNETIC DOOR SWITCH	80871
18	MAGNET FOR HOOD MICROSWITCH	927088
21	DOOR SAFETY HOOK FOR RACK-CONVEYOR	75064
22	SLIDES CONVEYOR DOOR	75647
25	TOP PANEL HEAT RECOVERY MODULE LEFT EXIT	65163
45	CORNER FRONT RIGHT PANEL	65338C-PULS
50	KIT GROUP FRAME JUNCTION TOWING MODULE	K65049
51	HORIZONTAL BAR	65047
52	VERTICAL L BAR	65045
53	GASKET	65997
54	SUPPORTING UPRIGHT	65619
55	WATER DEFLECTOR	65646
56	BRACKET UNION TANKS	65055
57	NUT - SELF-LOCK	CDI206AU
58	RACK CONVEYOR COG	75071
59	BUSH	75077
60	SCREW, INOX SPEC.6MAX16 T.1/2 T. POELIER	CVI172
61	RACK CONVEYOR	65834
62	TOWING RACK	65833
63	SCREW	75310
64	BUFFER FOR DRIVE STOP	75076
65	SLED CART TOWING	75075
66	SCREW	486199
70	SUPPORTING UPRIGHT	65617
71	BOTTOM STEEL BAR	77527





XT 300
2022_01
2

Pozice	Název	Kód
1	CURTAIN SUPPORT FOR RACK-CONVEYOR	75124
2	SUPPORT BRACKET	65128
3	CURTAIN	65210
4	PRE-WASH BREAK TANK	65721
5	GASKET	437104
6	WASHPUMP	65600
7	COMPLETE WASH ARM	65265
8	O-RING	CGR4131NT
9	CONNECTING ARM	75645
10	GASKET	437050
11	PIPE FITTING	75155
12	CLAMP, TORRO W1 32-50/9-7	CFS32
13	DELIVERY WASH HOSE	75154
14	PIPE	65177
15	NUT	417125
16	CLAMP, TORRO W1/W2B 50-70/12	CFS2
17	PIPE	65624
19	BRACKET	65330
20	CLAMP, HOSE-TYPE TORRO W2B 60-80/12	CFS3
21	PIPE ELBOW	926056
23	PUMP ASPIRATION FILTER	75661
24	PIPE + PARZ.77018	K65176
25	APIRATION FILTER SLIDE	42092
26	PIPE	65623
27	WASHER	472061
28	BRACKET	65293
29	OVERFLOW PIPE	75864
30	SUPPORT BRACKET WASH ARM	65212
31	O-RING	CGR4131NT
32	DRAIN CONNECTION	75871
33	GASKET	75873
34	NUT WASTE DRAIN	75872
35	DRAIN FITTING (PLASTIC)	75639
36	BRACKET PRESSURE SWITCH	DAS20206
37	PRESSURE SWITCH	926049
38	SCREW	CVZ4
39	FILTER	66491
43	TANK FLAT STAIN.STEEL FILTER	65200
47	HOSE CLAMP	CFS1A
50	AIR TRAP, ASSY	984005
51	LINEN RUBBER POPE 5X12 - BLACK	143005
52	AIR TRAP CONNECTION OF PRESSURE SWITCH	468029

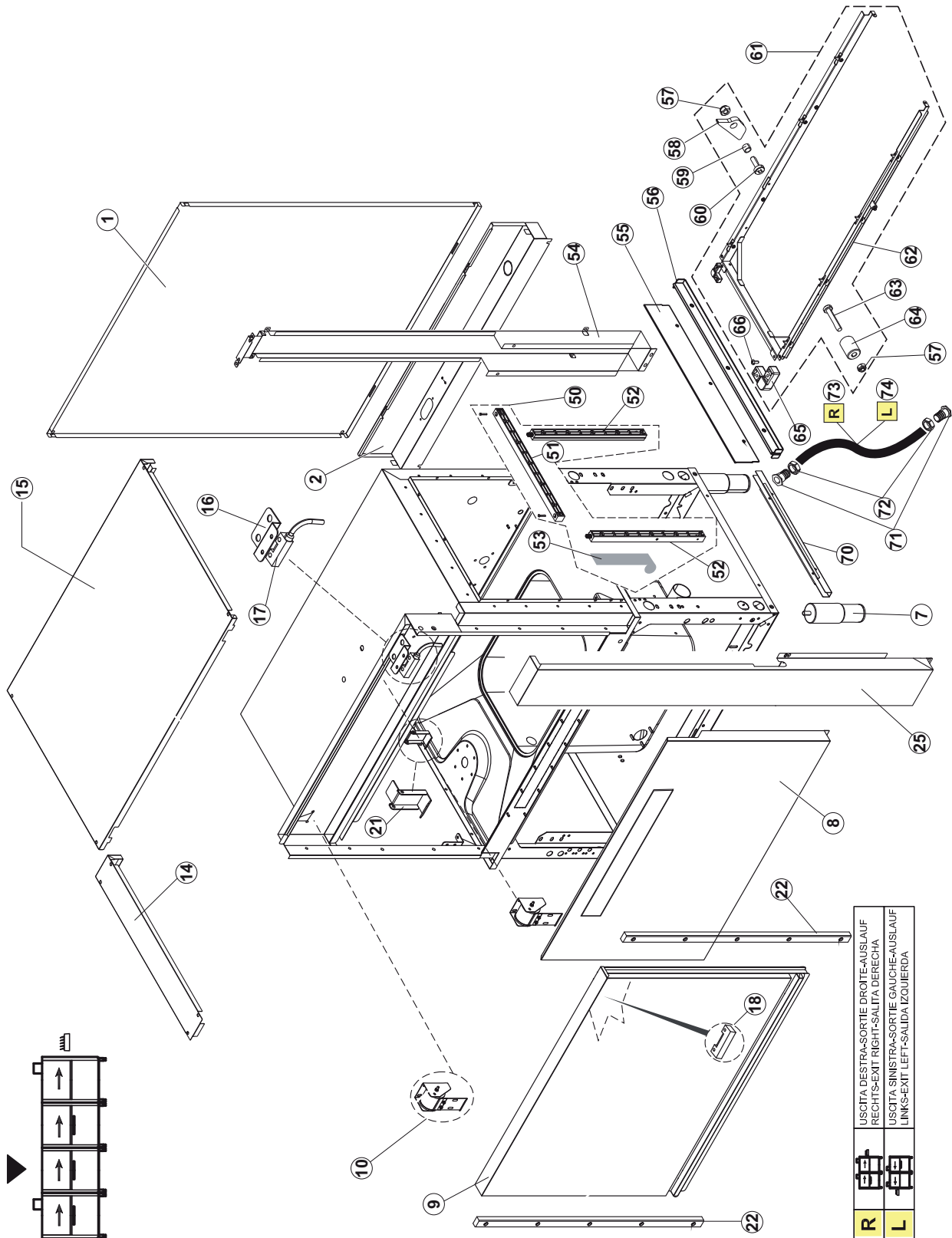


XT 300
2022_01
2

Pozice	Název	Kód
53	O-RING	456020
54	PACKING FOR AIR TRAP OF PRESSURE SWITCH	437019
55	CONNECTING ARM	75648
57	SUPPORT TEMP. PROBE	H.775489-001
58	TEMPERATURE PROBE	231016
59	HEATING ELEMENT 10500W 230/400V	80397C
60	O-RING	456002
61	BOILER HEATING ELEMENT PROTECTION	69870
62	THERMOSTAT	927057
65	RUBBER PIPE 12X19,5	143010
66	HOSE CLAMP	927322
67	SOLENOID VALVE	240018
68	GASKET	437041
69	INLET HOSE	143277
70	PLUG BREAK TANK	65720



XT 300
2022_01
3



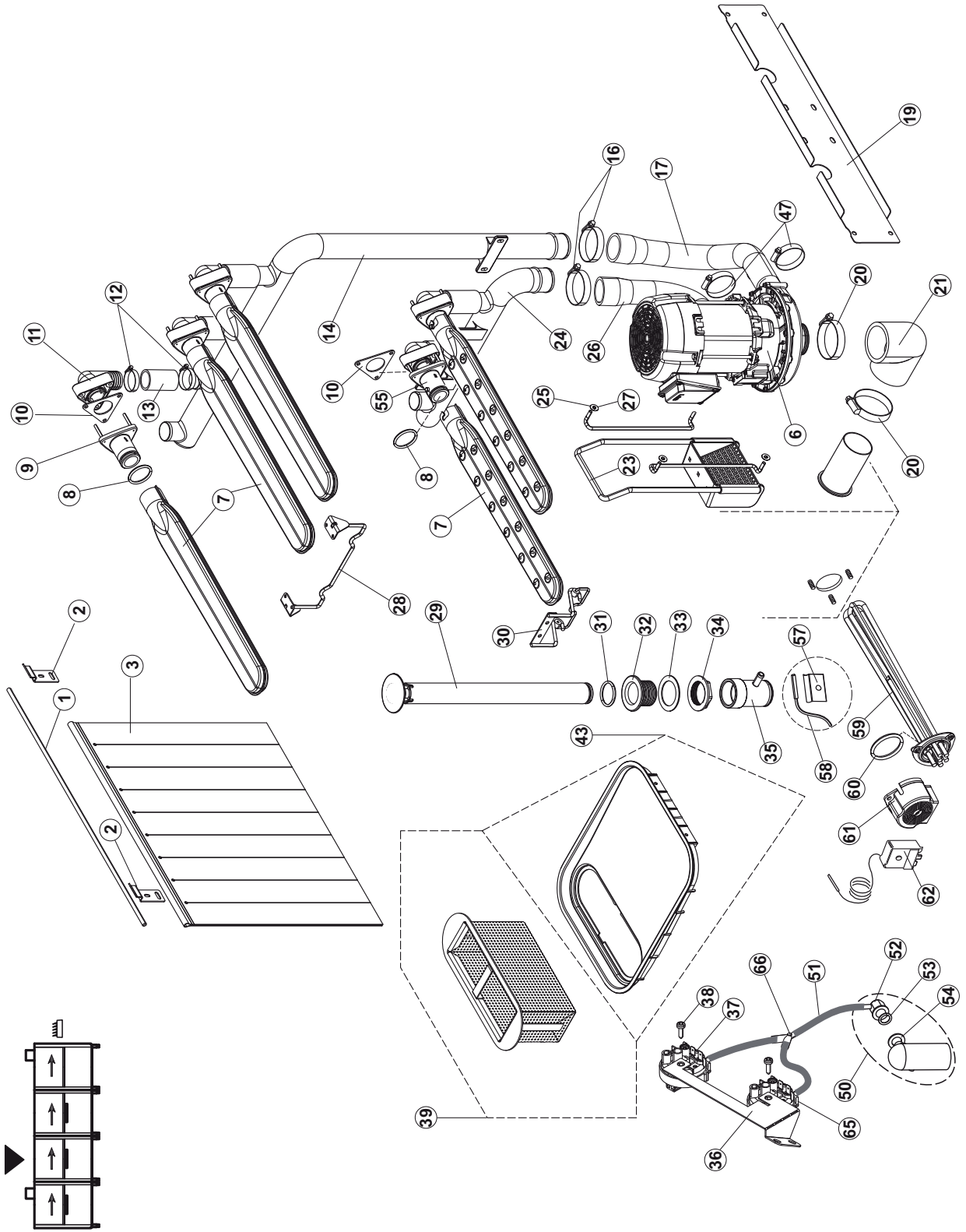


XT 300
2022_01
3

Pozice	Název	Kód
1	BACK PANEL	65244
2	BACK PANEL	65080
7	FOOT	73100
8	FRONT PANEL	65287
9	KIT DOOR WASH UNIT	K65282
10	DOOR SPRING KIT	65654
14	TOP PANEL	65546
15	TOP PANEL	65050
16	BRACKET	65256
17	MAGNETIC DOOR SWITCH	80871
18	MAGNET FOR GOOD MICROSWITCH	927088
21	DOOR SAFETY HOOK FOR RACK-CONVEYOR	75064
22	SLIDES CONVEYOR DOOR	75647
25	SUPPORTING UPRIGHT	65617
50	KIT GROUP FRAME JUNCTION TOWING MODULE	K65049
51	HORIZONTAL BAR	65047
52	VERTICAL L BAR	65045
53	GASKET	65997
54	SUPPORTING UPRIGHT	65619
55	WATER DEFLECTOR	65646
56	BRACKET UNION TANKS	65055
57	NUT SELF-LOCK	CDI206AU
58	RACK CONVEYOR COG	75071
59	BUSH	75077
60	SCREW, INOX SPEC.6MAX16 T.1/2 T. POELIER	CVI172
61	RACK CONVEYOR	65834
62	TOWING RACK	65833
63	SCREW	75310
64	BUFFER FOR DRIVE STOP	75076
65	SLED CART TOWING	75075
66	SCREW	486199
70	BOTTOM STEEL BAR	77527
71	DRAIN CONNECTION	77525
72	NUT	77524
73	PIPE	65731
74	PIPE	K66915



XT 300
2022_01
4





XT 300
2022_01
4

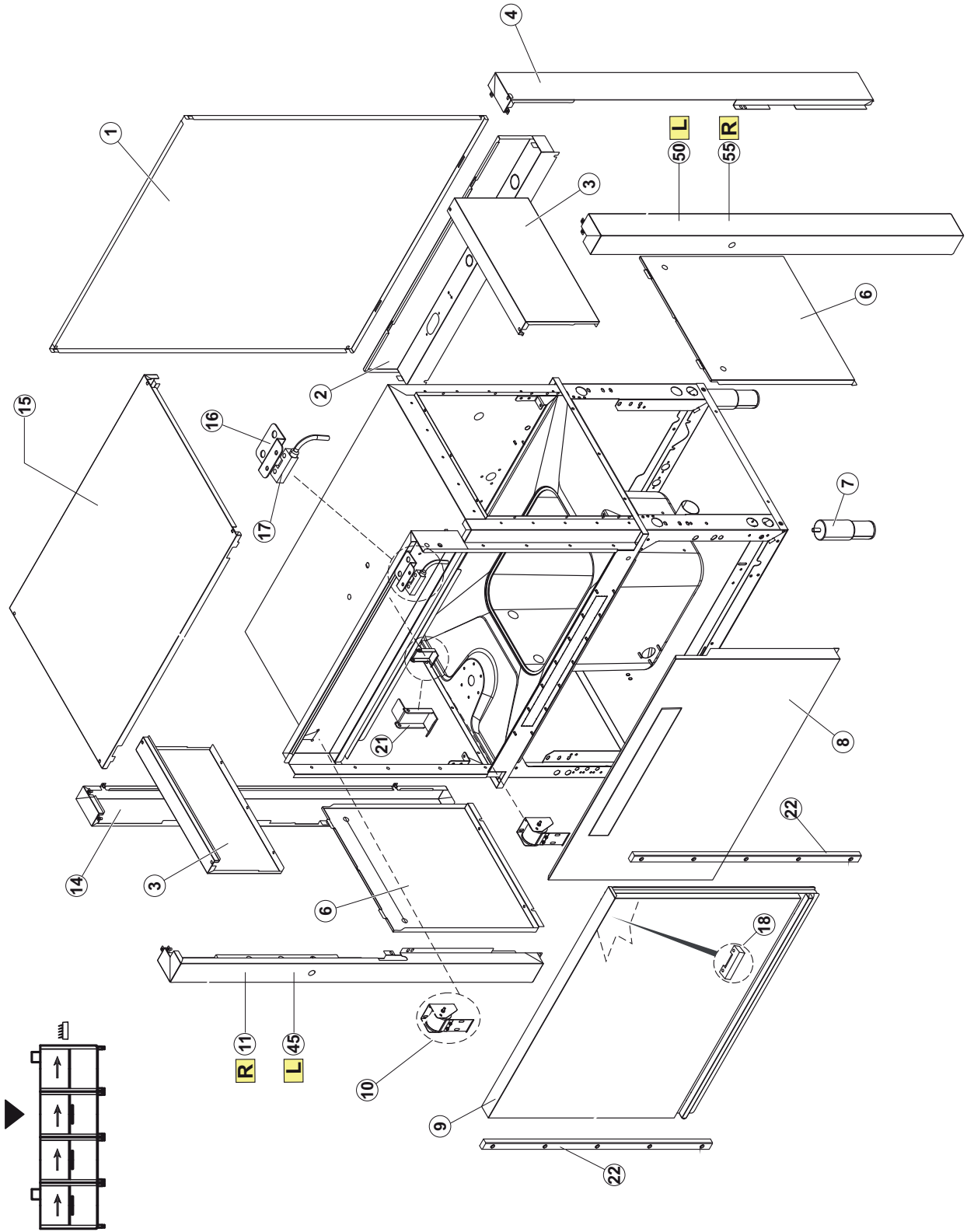
Pozice	Název	Kód
1	CURTAIN SUPPORT FOR RACK CONVEYOR DISH	75124
2	SUPPORT BRACKET	65128
3	CURTAIN	65210
6	WASHPUMP	65600
7	COMPLETE WASH ARM	65265
8	O-RING	CGR4131NT
9	CONNECTING ARM	75645
10	GASKET	437050
11	PIPE FITTING	75155
12	CLAMP, TORRO W1 32-50/9-7	CFS32
13	DELIVERY WASH HOSE	75154
14	PIPE	65177
16	CLAMP, TORRO W1/W2B 50-70/12	CFS2
17	PIPE	65624
19	BRACKET	65330
20	CLAMP, HOSE-TYPE TORRO W2B 60-80/12	CFS3
21	PIPE ELBOW	926056
23	PUMP ASPIRATION FILTER	75661
24	PIPE + PARZ.77018	K65176
25	ASPIRATION FILTER SLIDE	42092
26	PIPE	65623
27	WASHER	472061
28	BRACKET	65293
29	OVERFLOW PIPE	75864
30	SUPPORT BRACKET WASH ARM	65212
31	O-RING	CGR4131NT
32	DRAIN CONNECTION	75871
33	GASKET	75873
34	NUT WASTE DRAIN	75872
35	DRAIN FITTING (PLASTIC)	75639
36	BRACKET	65469
37	PRESSURE SWITCH	926049
38	SCREW	CVZ4
39	FILTER	66491
43	TANK FLAT STAINLESS STEEL FILTER	65200
47	HOSE CLAMP	CFS1A
50	AIR TRAP, ASSY	984005
51	LINEN RUBBER PIPE 5X12 - BLACK	143005
52	AIR TRAP CONNECTION OF PRESSURE SWITCH	468029
53	O-RING	456020
54	PACKING FOR AIR TRAP OF PRESSURE SWITCH	437019
55	CONNECTING ARM	75648



XT 300
2022_01
4

Pozice	Název	Kód
57	SUPPORT TEMPERATURE PROBE	H.775489-001
58	TEMPERATURE PROBE	231016
59	HEATING ELEMENT 12000W 230/400V	80399
60	O-RING	456002
61	BOILER HEATING ELEMENT PROTECTION	69870
62	THERMOSTAT	927057
65	PRESSURE SWITCH	65811
66	PIPE CONNECTION	70966

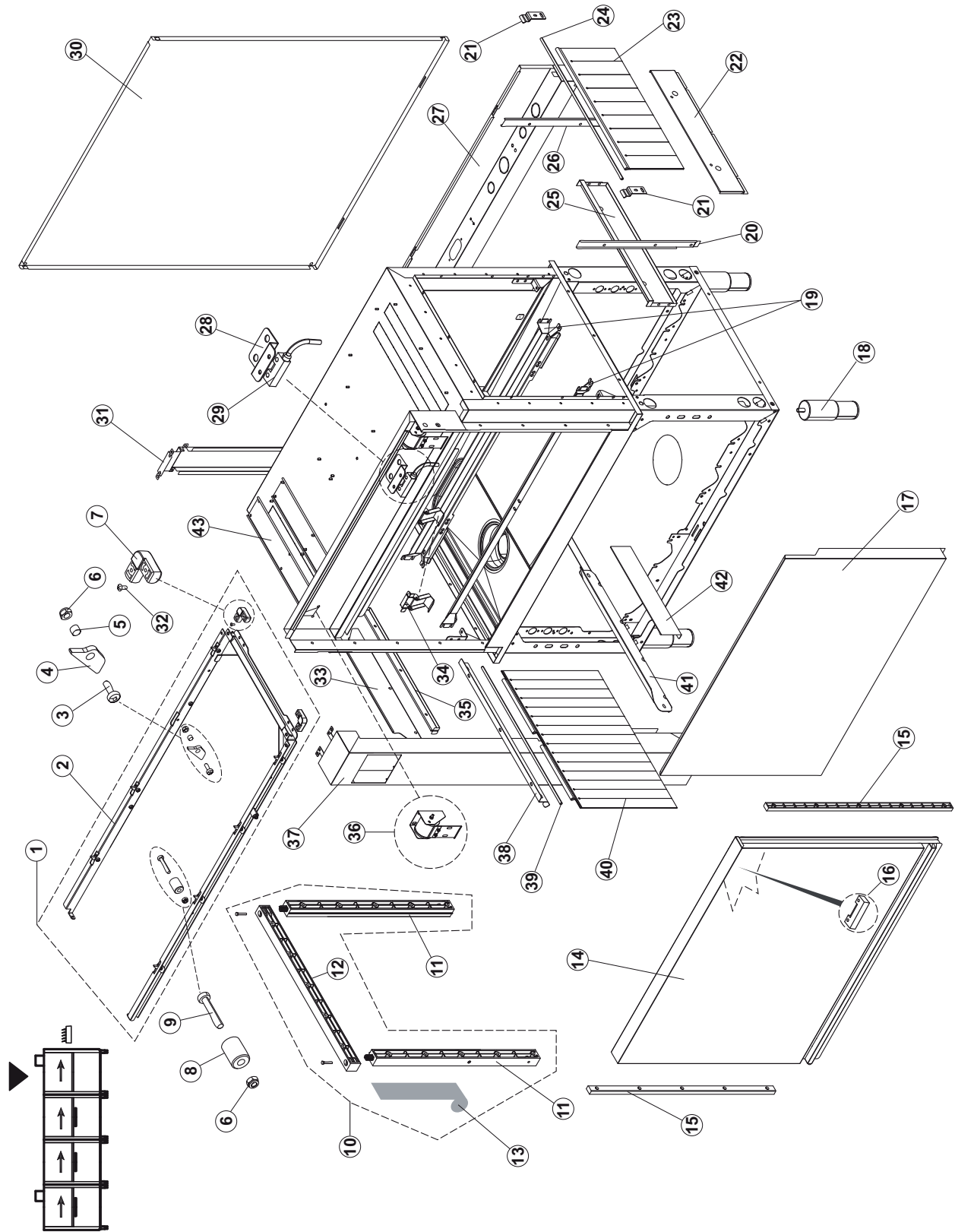
XT 300
2022_01
5





XT 300
2022_01
5

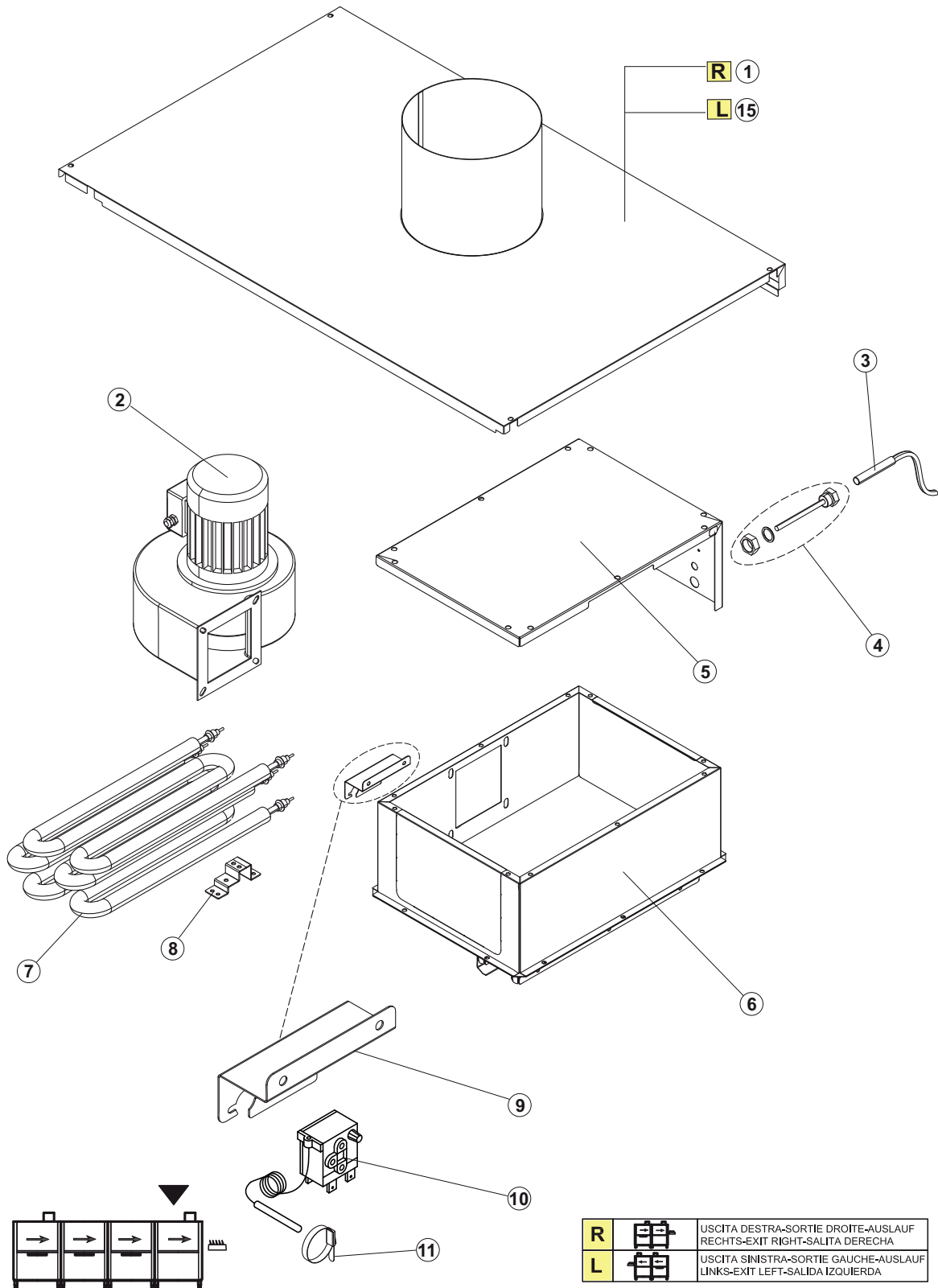
Pozice	Název	Kód
1	BACK PANEL	65244
2	BACK PANEL	65080
3	FRONT PANEL	65035
4	CORNER REAR RIGHT PANEL	65258
6	SIDE PANEL	65054
7	FOOT	73100
8	FRONT PANEL	65287
9	KIT DOOR WASH UNIT	K65282
10	DOOR SPRING KIT	65654
11	CORNER FRONT RIGHT PANEL	65338
14	CORNER REAR LEFT PANEL	65259
15	TOP PANEL	65050
16	BRACKET	65256
17	MAGNETIC DOOR SWITCH	80871
18	MAGENT FOR HOOD MICROSWITCH	927088
21	DOOR SAFETY HOOK FOR RACK-CONVEYOR	75064
22	SLIDES CONVEYOR DOOR	75647
45	CORNER FRONT RIGHT PANEL	65338C-PULS
50	SUPPORTING UPRIGHT	65337
55	SUPPORTING UPRIGHT	65337C-PULS
71	BOTTOM STEEL BAR	77527





XT 300
2022_01
6

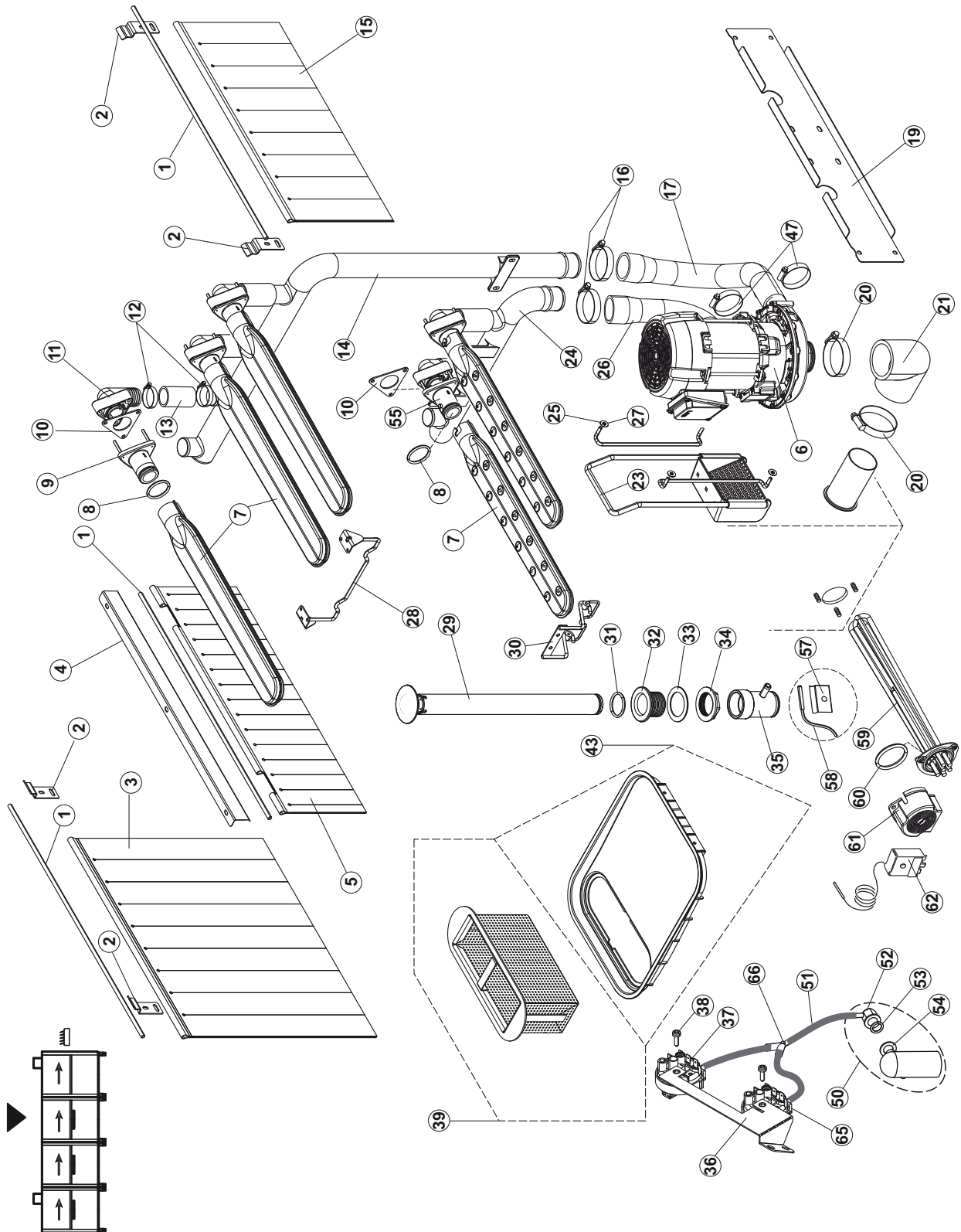
Pozice	Název	Kód
1	RACK CONVEYOR	65834
2	TOWING RACK	65833
3	SCREW, INOX SPEC.6MAX16 T .1/2 T. POELIER	CVI172
4	RACK CONVEYOR COG	75071
5	BUSH	75077
6	NUT - SELF-LOCK	CDI206AU
7	SLED CART TOWING	75075
8	BUFFER FOR DRIVE STOP	75076
9	SCREW	75310
10	KIT GROUP FRAME JUNCTION TOWING MODULE	K65049
11	VERTICAL L BAR	65045
12	HORIZONTAL BAR	65047
13	GASKET	65997
14	CONVEYOR DOOR	65282
15	SLIDES CONVEYOR DOOR	75647
16	MAGNET FOR HOOD MICROSWITCH	927088
17	FRONT PANEL	65287
18	FOOT	73100
19	SLIDES	65024
20	LEFT SEALING CHANNEL WATER	65431
21	SUPPORT BRACKET	65128
22	FULL ENTRANCE / EXIT SIDEBORD	75338
23	CURTAIN EXIT DRYING UNIT	65228
24	CURTAIN SUPPORT FOR RACK-CONVEYOR DISH	75124
25	INNER LOWER FRONT PANEL - FINISHED PART	65308
26	RIGHT SEALING CHANNEL WATER	65430
27	BACK PANEL	65080
28	BRACKET	65256
29	MAGNETIC DOOR SWITCH	80871
30	BACK PANEL	65244
31	SUPPORTING UPRIGHT	65619
32	STAINLESS STEEL SCREW 4MAX10 TBCR-SP	486169
33	WATER DEFLECTOR	65646
34	DOOR SAFETY HOOK FOR RACK-CONVEYOR	75064
35	BRACKET UNION TANKS	65055
36	DOOR SPRING KIT	65654
37	SUPPORTING UPRIGHT	K65084
38	CURTAIN SUPPORTING BRACKET	65640
39	CURTAIN SUPPORT FOR RACK-CONVEYOR DISH	75124
40	MEDIUM CURTAIN 3 CUTS	65216
41	WATER DEFLECTOR	65642
42	WATER DEFLECTOR	65886
43	STEEL PLATE TO PLUG HOLES	65666





XT 300
2022_01
7

Pozice	Název	Kód
1	TOP PANEL	65435
2	STAINLESS STEEL ASPIRATOR	65382
3	TEMPERATURE PROBE	231016
4	PROBE HOLDER	929038
5	COVER	65421
6	FAN HOUSING	65417
7	HEATING ELEMENT	927245
8	GUIDE SUPPORT PRERINSING	77021
9	BRACKET THERMOSTAT	65292
10	THERMOSTAT	927106
11	HOSE CLAMP	75969
15	TOP PANEL	65433





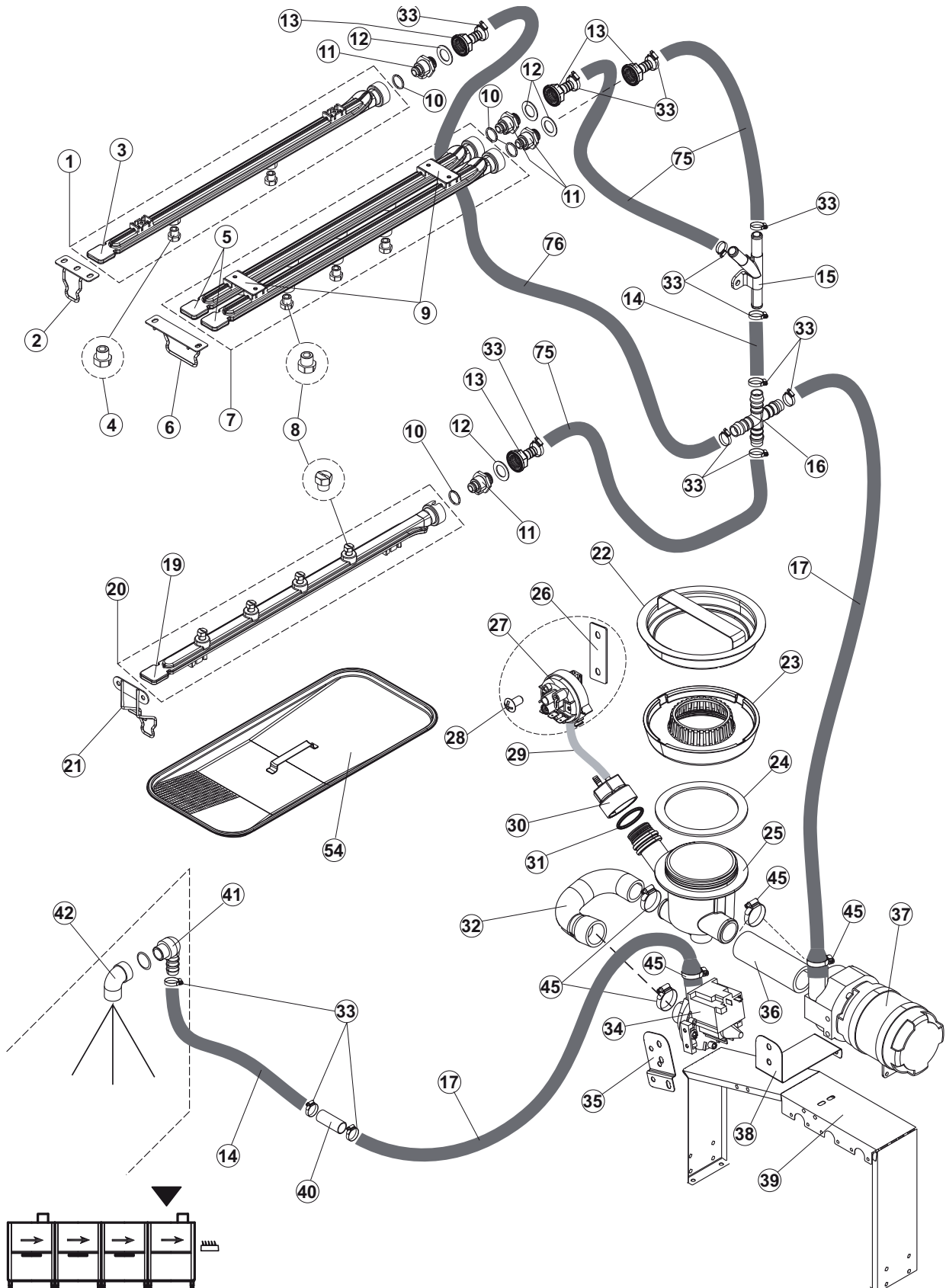
XT 300
2022_01
8

Pozice	Název	Kód
1	CURTAIN SUPPORT FOR RACK-CONVEYOR DISH	75124
2	SUPPORT BRACKET	65128
3	CURTAIN	65210
4	CURTAIN SUPPORTING BRACKET	65162
5	CURTAIN	65211
6	WASHPUMP	65600
7	COMPLETE WASH ARM	65265
8	O-RING	CGR4131NT
9	CONNECTING ARM	75645
10	GASKET	437050
11	PIPE FITTING	75155
12	CLAMP, TORRO W1 32-50/9-7	CFS32
13	DELIVERY WASH HOSE	75154
14	PIPE	65177
15	CURTAIN EXIT DRYING UNIT	65228
16	CLAMP, TORRO W1/W2B 50-70/12	CFS2
17	PIPE	65624
19	BRACKET	65330
20	CLAMP, HOSE-TYPE TORRO W2B 60-80/12	CFS3
21	PIPE ELBOW	926056
23	PUMP ASPIRATION FILTER	75661
24	PIPE + PARZ.77018	K65176
25	ASPIRATION FILTER SLIDE	42092
26	PIPE	65623
27	WASHER	472061
28	BRACKET	65293
29	OVERFLOW PIPE	75864
30	SUPPORT BRACKET WASH ARM	65212
31	O-RING	CGR4131NT
32	DRAIN CONNECTION	75871
33	GASKET	75873
34	NUT WASTE DRAIN	75872
35	DRAIN FITTING (PLASTIC)	75639
36	BRACKET	65469
37	PRESSURE SWITCH	926049
38	SCREW	CVZ4
39	FILTER	66491
43	FILTER	65200
47	HOSE CLAMP	CFS1A
50	AIR TRAP, ASSY	984005
51	LINEN RUBBER PIPE 5X12 - BLACK	143005
52	AIR TRAP CONNECTION OF PRESSURE SWITCH	468029
53	O-RING	456020



XT 300
2022_01
8

Pozice	Název	Kód
54	PACKING FOR AIR TRAP OF PRESSURE SWTICH	437019
55	CONNECTING ARM	75648
57	SUPPORT TEMPERATURE PROBE	H.775489-001
58	TEMPERATURE PROBE	231016
59	HEATING ELEMENT 12000W 230/400V	80399
60	O-RING	456002
61	BOILER HEATING ELEMENT PROTECTION	69870
62	THERMOSTAT	927057
65	PRESSURE SWITCH	65811
66	PIPE CONNECTION	70996





XT 300
2022_01
9

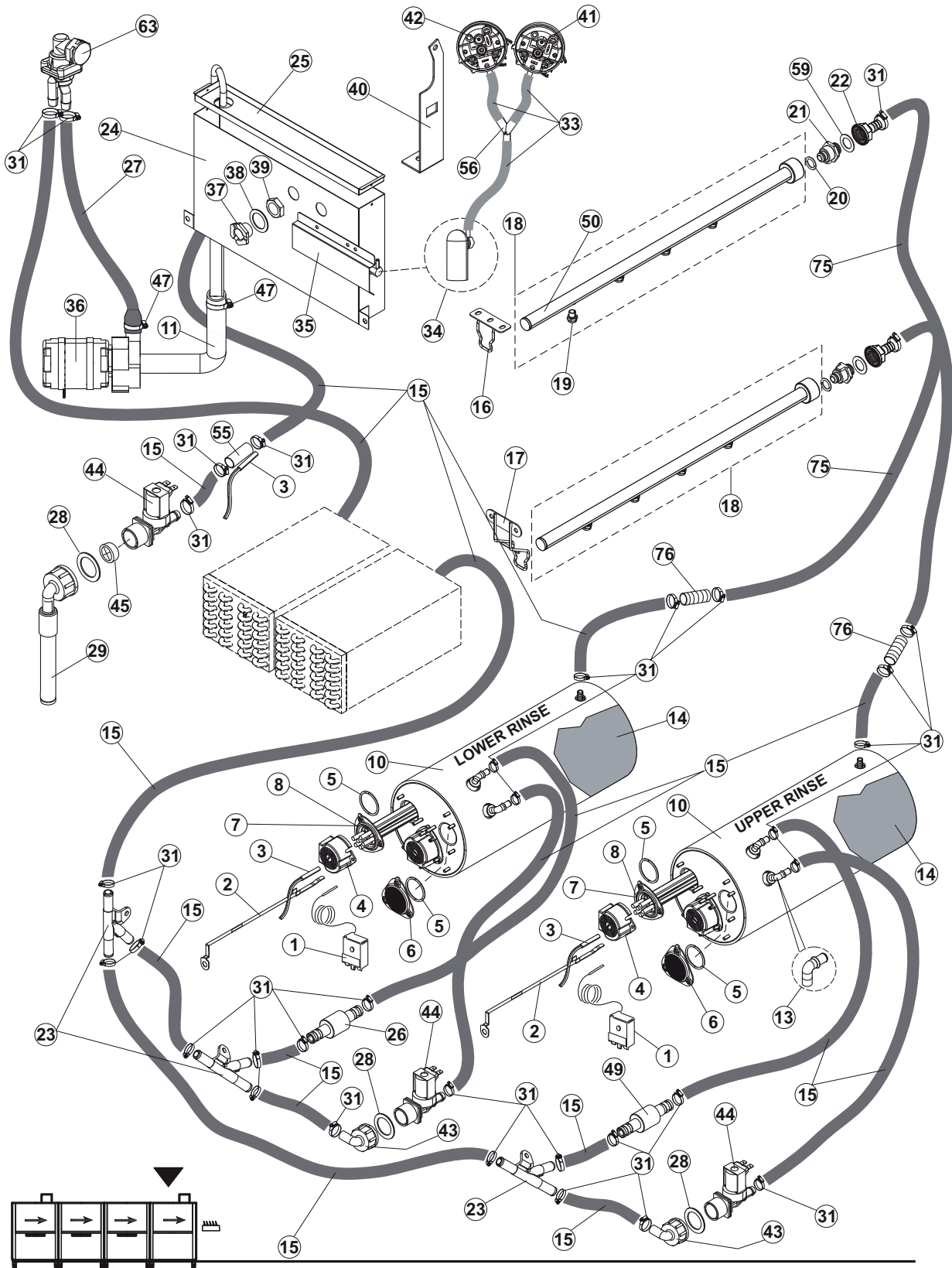
Pozice	Název	Kód
1	RINSE ARM	65787
2	BRACKET	65593
3	RINSE ARM	65515
4	STAINLESS STEEL RINSE SPRAY NOZZLE	77068
5	RINSE ARM	65523
6	BRACKET	65585
7	RINSE ARM	65784
8	STAINLESS STEEL NOZZLE - FIRST RINSING	927309
9	BRACKET	65527
10	O-RING 2050 12.42X1.78 EPDM 70SH A	65727
11	BRACKET	65015
12	GASKET ES/AM VERDE 33X21X1,5	65749
13	PIPE FITTING	66945
14	RUBER PIPE 12X19,5	143010
15	JUNCTION Y	143268
16	MAINFOLD	77060
17	RINSE DELIVERY TUBE (CRP)	41525
19	RINSE ARM	65521
20	RINSE ARM	65785
21	SUPPORT BRACKET RINSE ARM	65588
22	STAINER	65975
23	RING NUT	429077
24	GASKET	437107
25	ASPIRATION AND DRAIN BODY	136029
26	PRESSURE SWITCH SUPPORT	20206PZ
27	PRESSURE SWITCH 140/95	65813
28	SCREW	CVZ4
29	PIPE	143131
30	AIR TRAP FOR PRESSURE SWITCH	107013
31	O-RING	456073
32	DRAIN HOSE	127115
33	HOSE CLAMP	927322
34	DRAIN PUMP90 - V 220/240- F50	999363
35	SUPPORT BRACKET	65663
36	PIPE	65805
37	ELECTROPUMP	77047
38	BRACKET DRAIN PUMP	65667
39	SUPPORT BRACKET	65660
40	STEEL TUBE	65806
41	BRASS RUBBER-PIPE HOLDER CONNECTION 3/8	929163
42	UNION ELBOW 3/8" AISI316	65876
45	CLAMP, TORRO W1 32-50/9-7	CFS32
54	DOUBLE RINSE TANK FILTER	65298



XT 300
2022_01
9

Pozice	Název	Kód
75	RINSE PIPE L 200 RACC 90 X3	65747-A
76	RINSE PIPE L 580 RACC 90 X1	65747-C

XT 300
2022_01
10





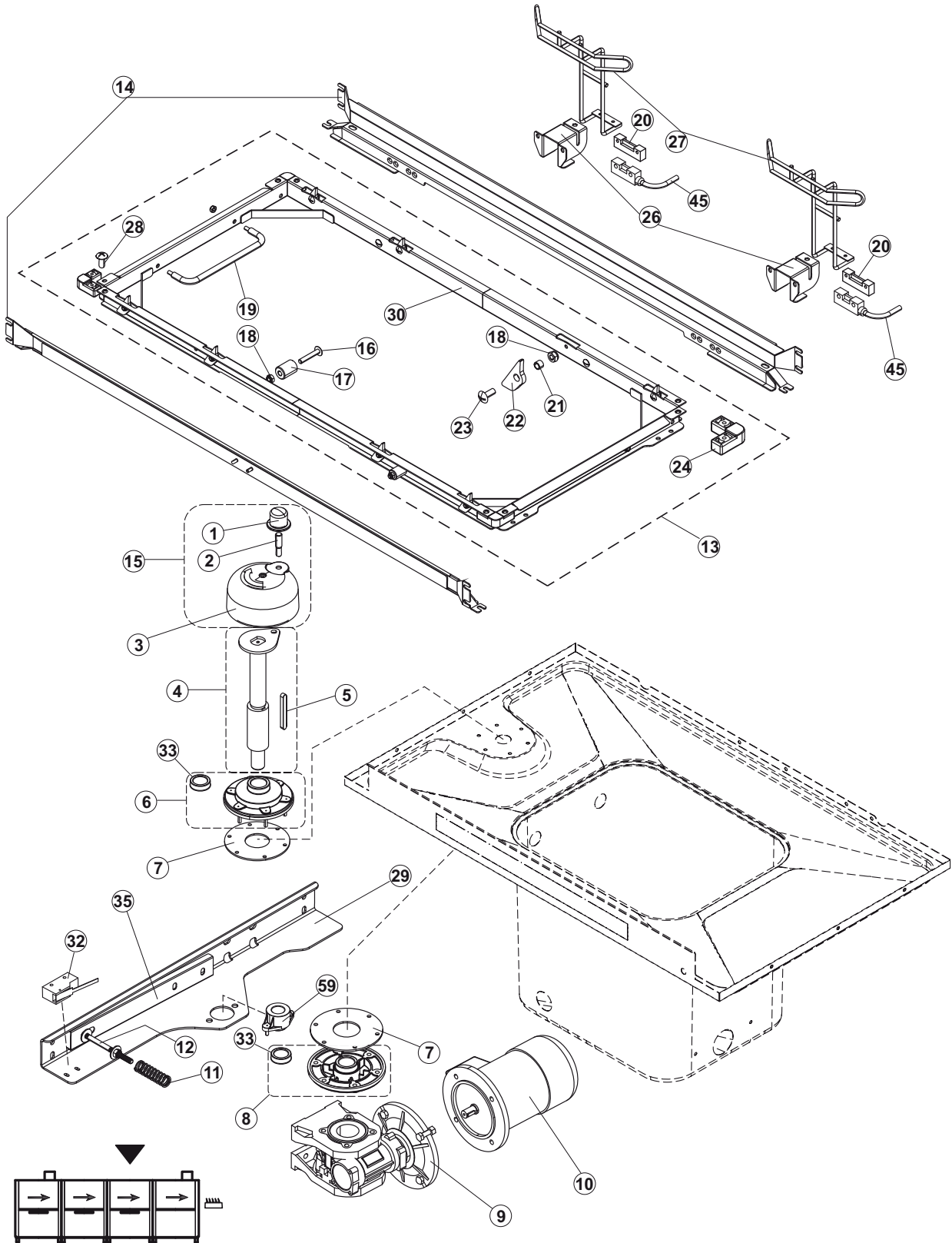
XT 300
2022_01
10

Pozice	Název	Kód
1	THERMOSTAT	927057
2	PROBE HOLDER	69871
3	TEMPERATURE PROBE	231016
4	BOILER HEATING ELEMENT PROTECTION	69870
5	O-RING	456002
6	CLOSED FLANGE CAP (170880543)	926053
7	HEATING ELEMENT 6KW	230083C
8	KIT HEATING ELEMENTS 8KW	230020C
10	BOILER	65700
11	INLET HOSE	65595
13	PIPE FITTING	65018
14	COVER INSULATION	65245
15	RUBBER PIPE 12X19,5	143010
16	BRACKET	65582
17	SUPPORT BRACKET RINSE ARM	65588
18	COMPLETE RINSE ARM	65836
19	STAINLESS STEEL RINSE SPRAY NOZZLE	65951
20	O-RING 2050 12.42X1.78 EPDM 70SH A	65727
21	INTERNAL RINSE PIPE FITTING AISI303	65883
22	PIPE FITTING	66945
23	JUNCTION Y	143268
24	BREAK TANK	65395
25	COVER	65390
26	FLOW REDUCER	65603
27	RINSE DELIVERY TUBE (CRP)	41525
28	GASKET	437041
29	INLET HOSE	143277
31	HOSE CLAMP	927322
33	PIPE	143131
34	AIR TRAP, ASSY	984005
35	SPLASH PROTECTION	41059
36	ELECTROPUMP	77047
37	RING NUT	429036
38	PACKING FOR DRAIN UNIT RING NUT	437025
39	NUT - CHROMIUM PLATED	CDO134CR
40	BRACKET FOR PRESSURE SWITCH	75621
41	PRESSURE SWITCH	65812
42	PRESSURE SWITCH	65811
43	PIPE CONNECTION	927326
44	SOLENOID VALVE	240016
45	FLOW REDUCER	75976
47	CLAMP, TORRO W1 32-50/9-7	CFS32
49	FLOW REDUCER	65604



XT 300
2022_01
10

Pozice	Název	Kód
50	RINSE ARM	65845
55	STEEL TUBE	65806
56	PIPE CONNECTION	70996
59	GASKET ES/AM VERDE 33X21X1,5	65749
63	NON-RETURN VALVE	144010NT
75	RINSE PIPE L 580 RACC 90 X2	65747-C
76	PIPE FITTING X2	73218

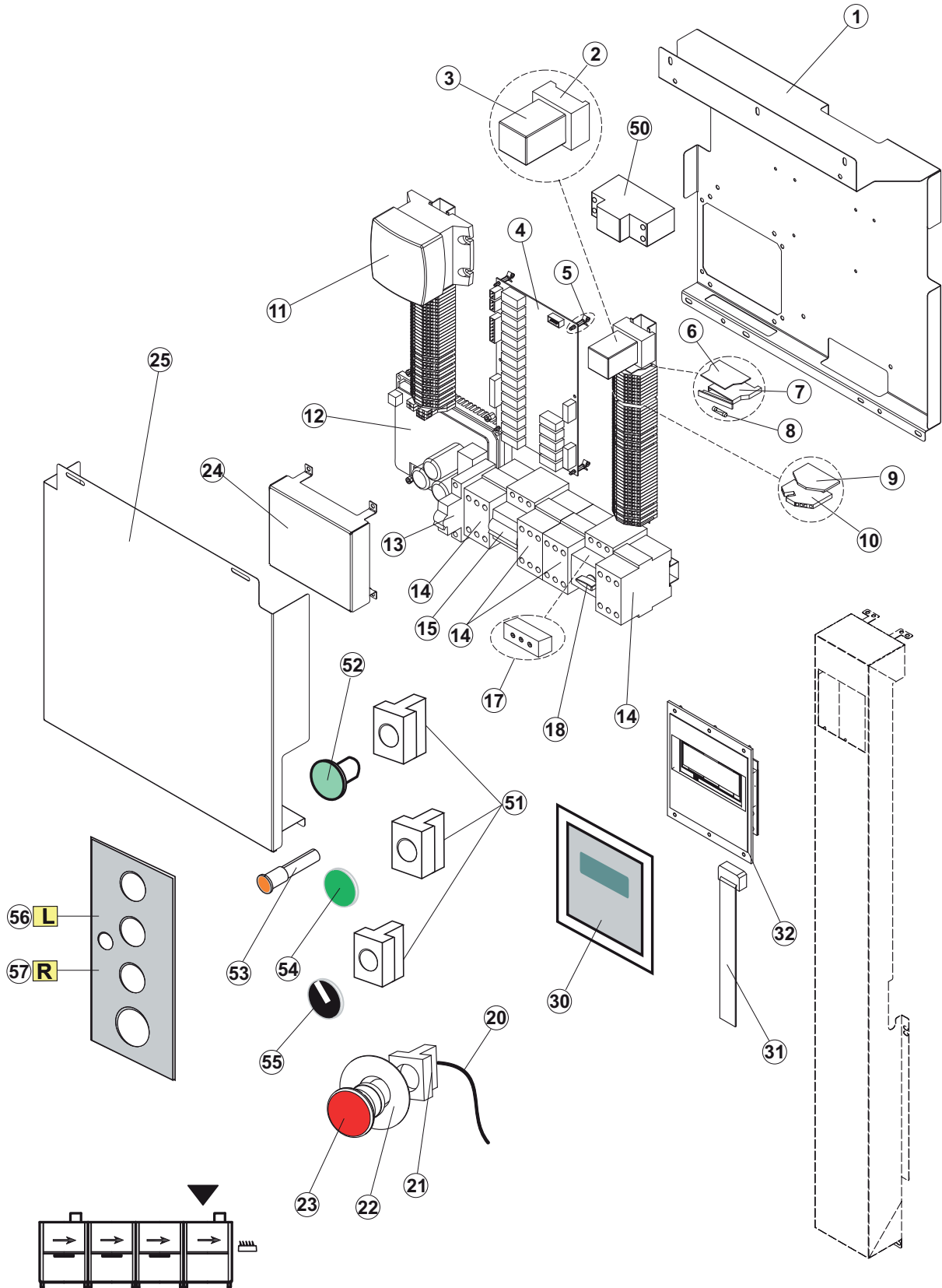




XT 300
2022_01
11

Pozice	Název	Kód
1	WASHER	75058
2	PIVOT	75234
3	SPLASH PROTECTION	75649
4	GEAR SHAFT CONVEYOR	65235
5	GEARED MOTOR KEY	65235C
6	UPPER FLANGE SHAFT CONVEYOR	K75141
7	GASKET	75168
8	LOWER BUSH & SEAL	K75057
9	GEARMOTOR SWO50PA MEC71B5	65920
10	MOTOR 180W MEC71 B5 - 8 POLES V230/400	65928
11	SPRING	CMT13
12	SCREW	60354
13	RACK CONVEYOR	75869
14	RACK SLIDE RACKCONVEYOR	K65024
15	KIT PROTECTIVE PLATE OF SPLASHING WATER	K75649
16	SCREW	75310
17	BUFFER FOR DRIVE STOP	75076
18	NUT SELF-LOCK	CDI206AU
19	RACK CONVEYOR HANDLE	75073
20	MAGNET FOR HOOD MICROSWITCH	927088
21	BUSH	75077
22	RACK CONVEYOR COG	75071
23	SCREW, INOX SPEC.6MAX16 T.1/2 T. POELIER	CVI172
24	SLED CART TOWING	75075
25	CONVEYOR GUIDE	65022
26	BRACKET ECONOMIZER	75110
27	OPERATED RINSING LEVER	75095
28	STAINLESS STEEL SCREW 4MAX10 TBCR-SP	486169
29	BRACKET CONVEYOR MOTOR	65217
30	TOWING RACK	75868
32	MICROSWITCH	927246
33	SEAL RING MIM 30X40X7 (MIM 30407)	927095
35	SUPPORT BRACKET	75218
45	MAGNETIC DOOR SWITCH	80871
59	BOTTOM FLANGE SHAFT CONVEYOR	75142

XT 300
2022_01
12

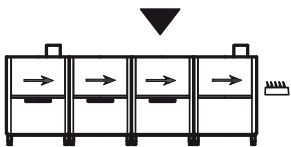
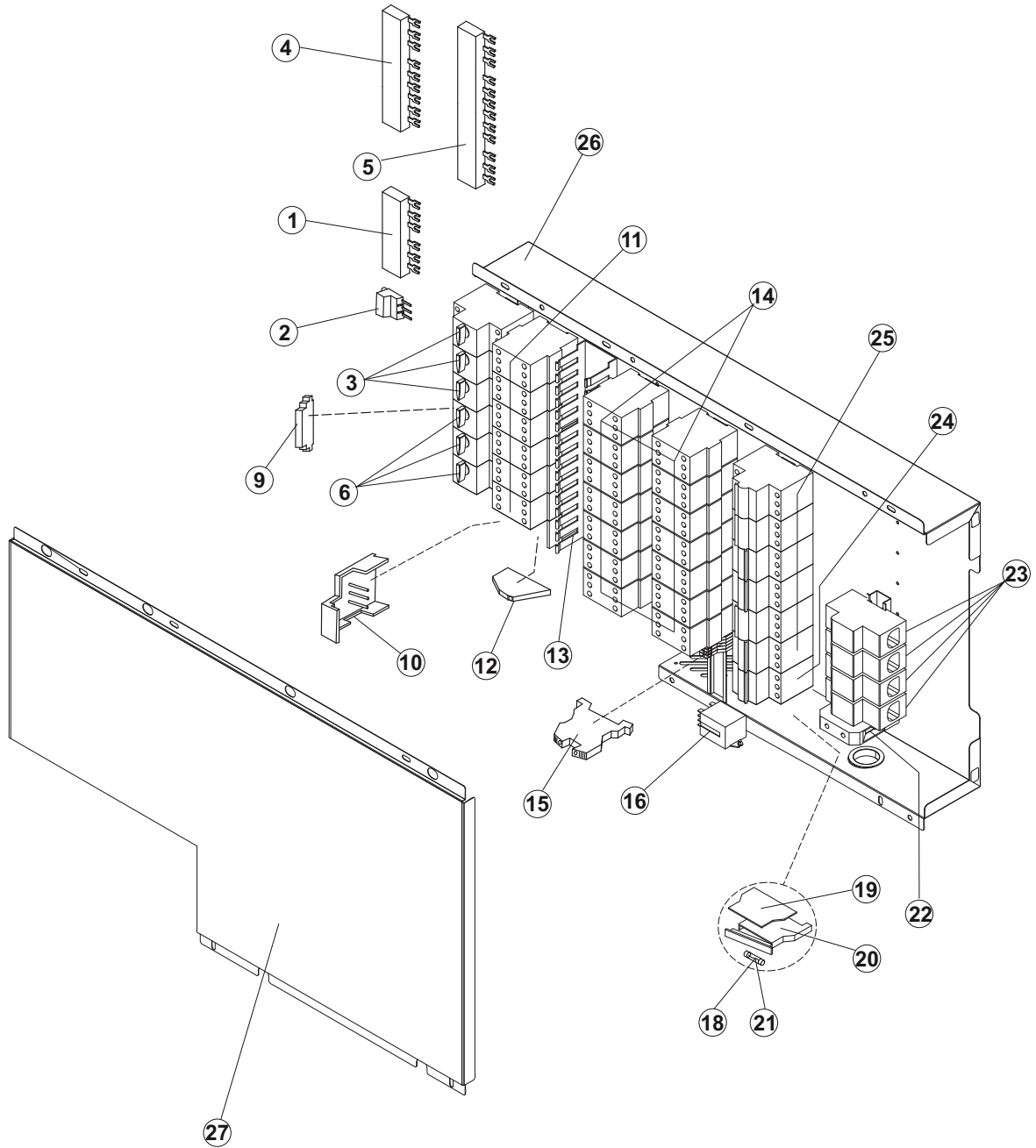




XT 300
2022_01
12

Pozice	Název	Kód
1	SUPPORT BRACKET	65247
2	RELAYS BASE FRAME	75896
3	RELAY	75895
4	MAIN BOARD AUTORACK	65800
5	FOOT	CWP2
6	PLUG	H.228048
7	FUSE-HOLDER	74935
8	FUSE	228011
9	TERMINAL	74939
10	TERMINAL	74938
11	TRANSFORMER	65908
12	INVERTER 500W	65810
13	AUTOMATIC SWITCH	DEI417
14	CONTACTOR	73350
15	AUTOMATIC SWITCH	DEI 416
17	AUXILIARY CONTACT FOR AUTOMATIC SWITCH	DEI3N
18	AUTOMATIC SWITCH	DEI35N
20	WIRING	87421
21	RING NUT	75877
22	STICKER	75875
23	EMERGENCY STOP BUTTON (RED)	75876
24	PROTECTION INVERTER	65254
25	CONTROL PANEL	65250
30	CONTROL ADHESIVE INTERFACE XT270	66893
31	CABLE	87773
32	CONTROL KEYBOARD	65801
50	POWER SUPPLY	66916
51	N. O. CONTACTS	75884
52	PILOT LAMP GREEN SCHNEIDER ZB4BV033	65819
53	PILOT LAMP ORANGE TBF/012/SD.3 24V	927237
54	GREEN START PUSH-BUTTON	75882
55	SWITCH ON/OFF	75883
56	POLIESTERE MONT.DX COM.E-MEC.TRAINO	66889DX
57	POLIESTERE MONT.SX COM.E-MEC.TRAINO	66889SX

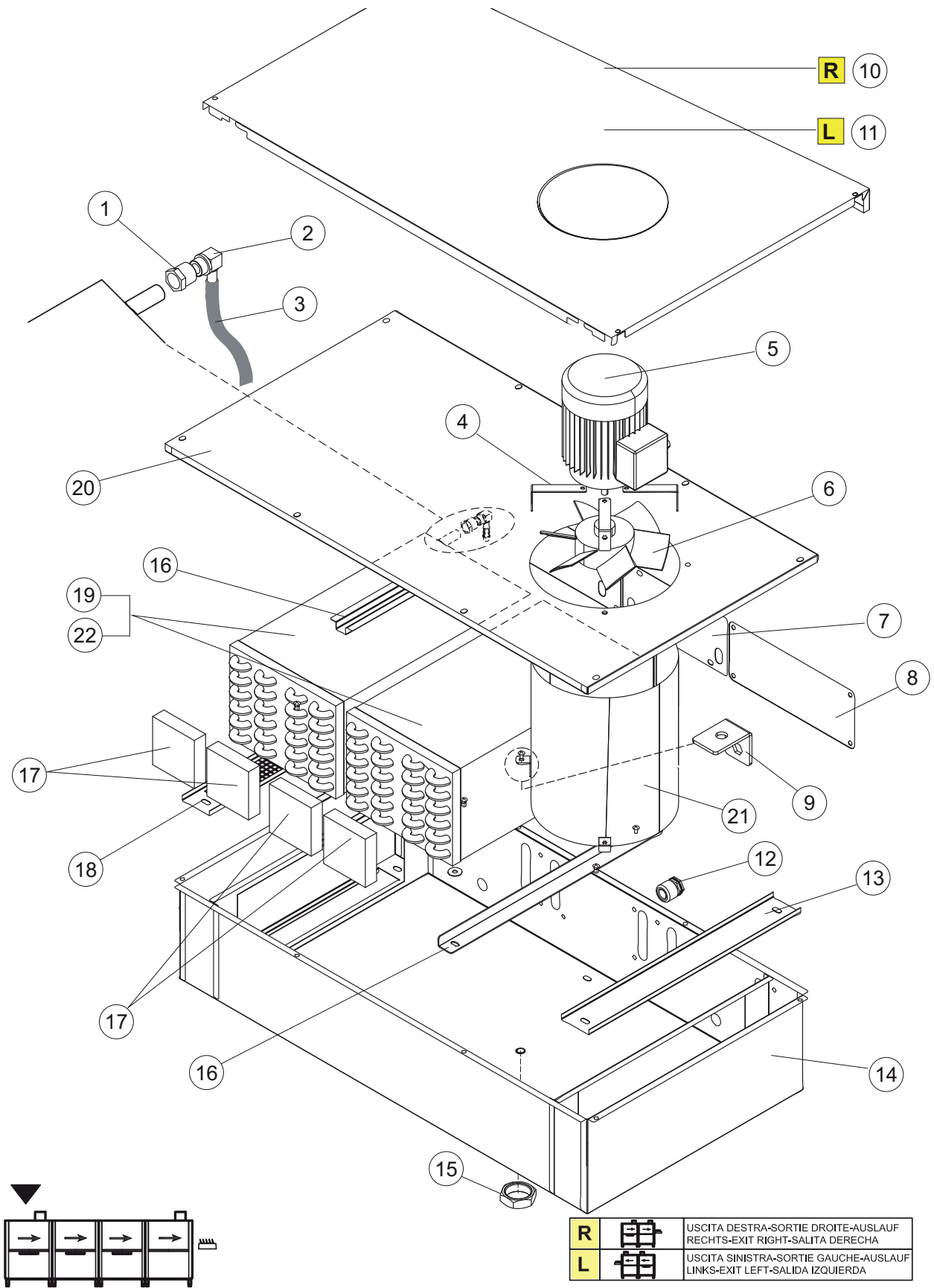
XT 300
2022_01
13





XT 300
2022_01
13

Pozice	Název	Kód
1	BAR ELECTIRCAL CONNECTION	80829
2	POWER CONNECTOR	80826
3	AUTOMATIC SWITCH	DEI38N
4	BARRA 3FASE 3 INTER.	80828
5	BAR	80827
6	AUTOMATIC SWITCH	DEI35N
9	AUXILIARY CONTACT	DEI4
10	CONNECTOR	73830
11	CONTACTOR	73350
12	ELECTRICAL CONNECTOR FOR U-SHAPED BAR	75817
13	CANALETTA (T1-60X60G)	77048
14	CONTACTOR	73351
15	TERMINAL BLOCK	927115
16	RELAY 16A 230V	929115
18	FUSE	228011
19	PLUG	H.228048
20	FUSE-HOLDER	74935
21	FUSIBILE 5X20F 3,15A	DEF315
22	EARTH TERMINAL	65905
23	ELECTRICAL CONNECTOR FOR U-SHAPED BAR	77835
24	AUTOMATIC SWITCH 3X25A	DEI425
25	AUTOMATIC SWITCH 3X16A	DEI416
26	PANEL FOR ELECTRICAL COMPONENTS	65061
27	CONTROL PANEL	65064



R		USCITA DESTRA-SORTIE DROITE-AUSLAUF RECHTS-EXIT RIGHT-SALIDA DERECHA
L		USCITA SINISTRA-SORTIE GAUCHE-AUSLAUF LINKS-EXIT LEFT-SALIDA IZQUIERDA

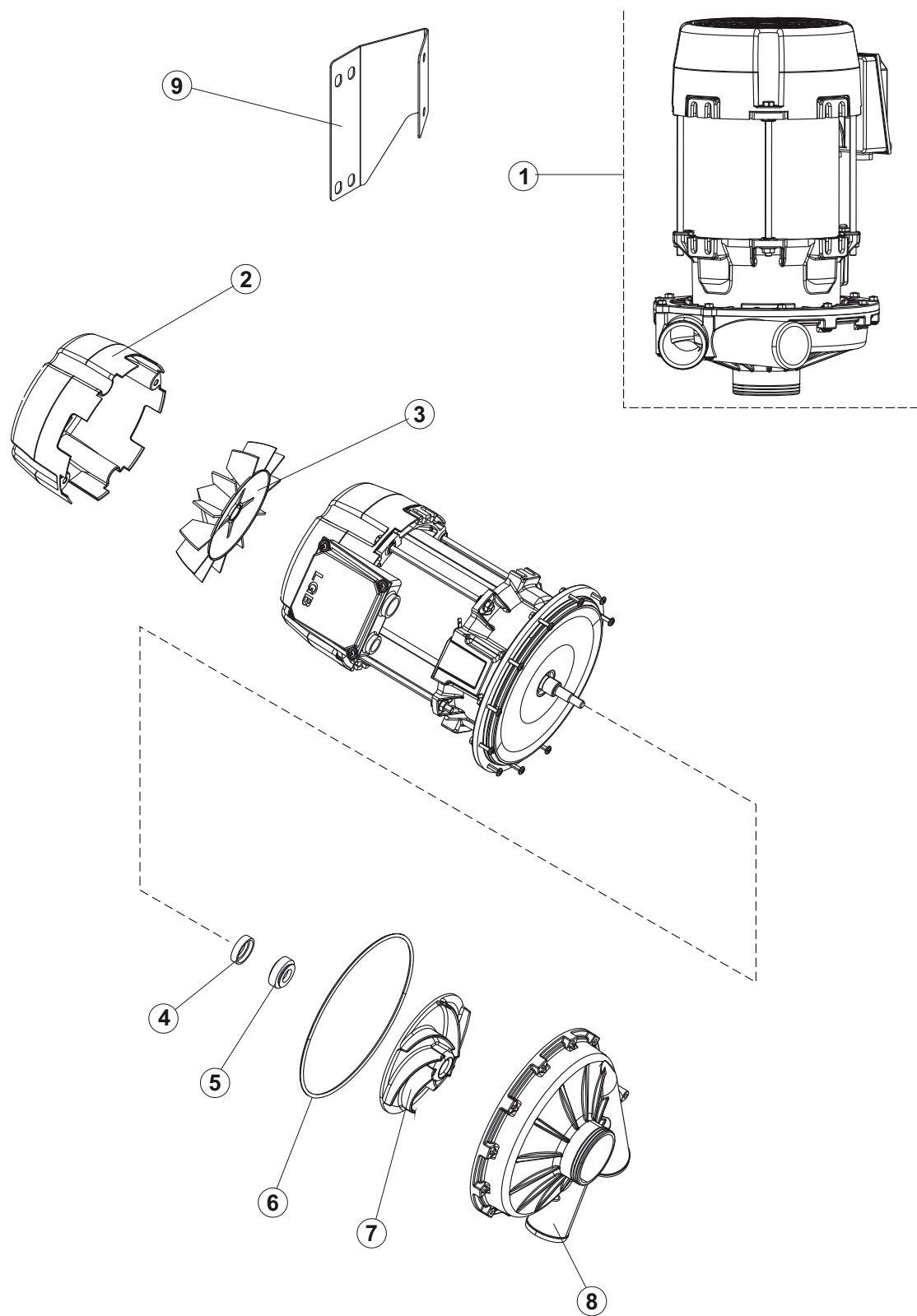


XT 300
2022_01
14

Pozice	Název	Kód
1	BRASS CONNECTION 1/2X12 302UFL	75813
2	UNION, RUB.-HOLD., BEND 1/2 M HOLE 12 BR	DZR667
3	RUBBER PIPE 12X19,5	143010
4	SUPPORT BRACKET	75365
5	MOTOR 180W 4POLES 230/400V 50HZ IP55	65690
6	ELECTRIC MOTOR FAN	927243
7	BRACKET	65489
8	PLUG	75439
9	BOILER BRACKET	75366
10	TOP PANEL HEAT RECOVERY MODULE RIGHT EXIT	65164
11	TOP PANEL HEAT RECOVERY MODULE LEFT EXIT	65163
12	CABLE GLAND	929103
13	PLUG	77104
14	CARTON BOX	65488
15	NUT	75321
16	BATTERY MOUNTING BRACKET	75434
17	ADHESIVE PLUG	41042
18	BATTERY FILTER	75386
19	BATTERY FOR TOWING	77109
20	COVER	65487
21	CHIMNEY VENT GOLD 80	75368
22	STAINLESS STEEL BATTERY	77108



XT 300
2022_01
15

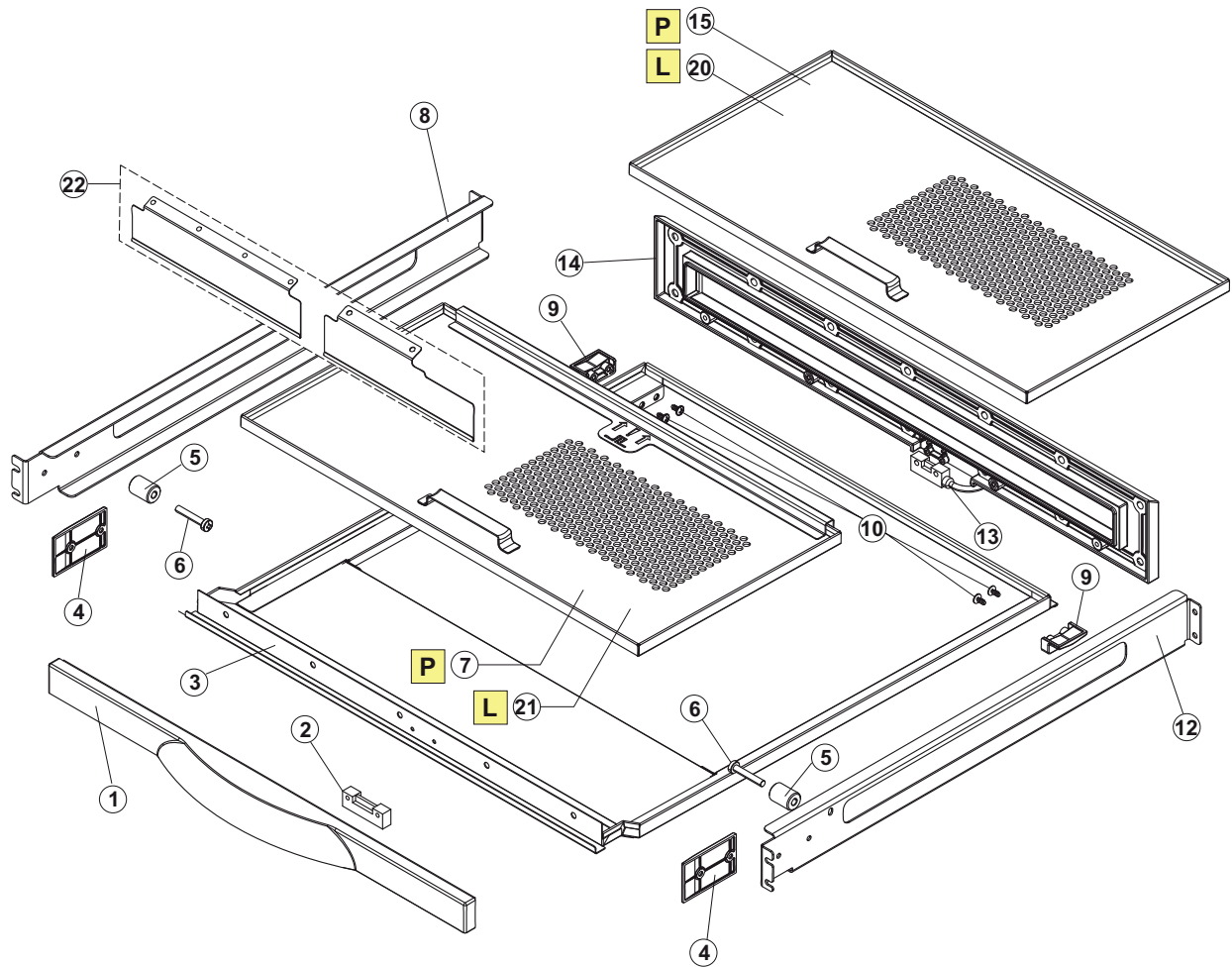




XT 300
2022_01
15

Pozice	Název	Kód
1	WASHPUMP	65600
2	MOTOR FAN COVER	66456
3	FAN	66457
4	FIXED SHAFT SEAL (1033R)	66452
5	ROTATING MECHANICAL SEAL (1032R)	66453
6	O-RING	66455
7	IMPELLER 3878D 125 DIAM 125(POMPA 65600)	66454
8	PUMP HOUSING	66451
9	SUPPORT BRACKET	65329

XT 300
2022_01
16



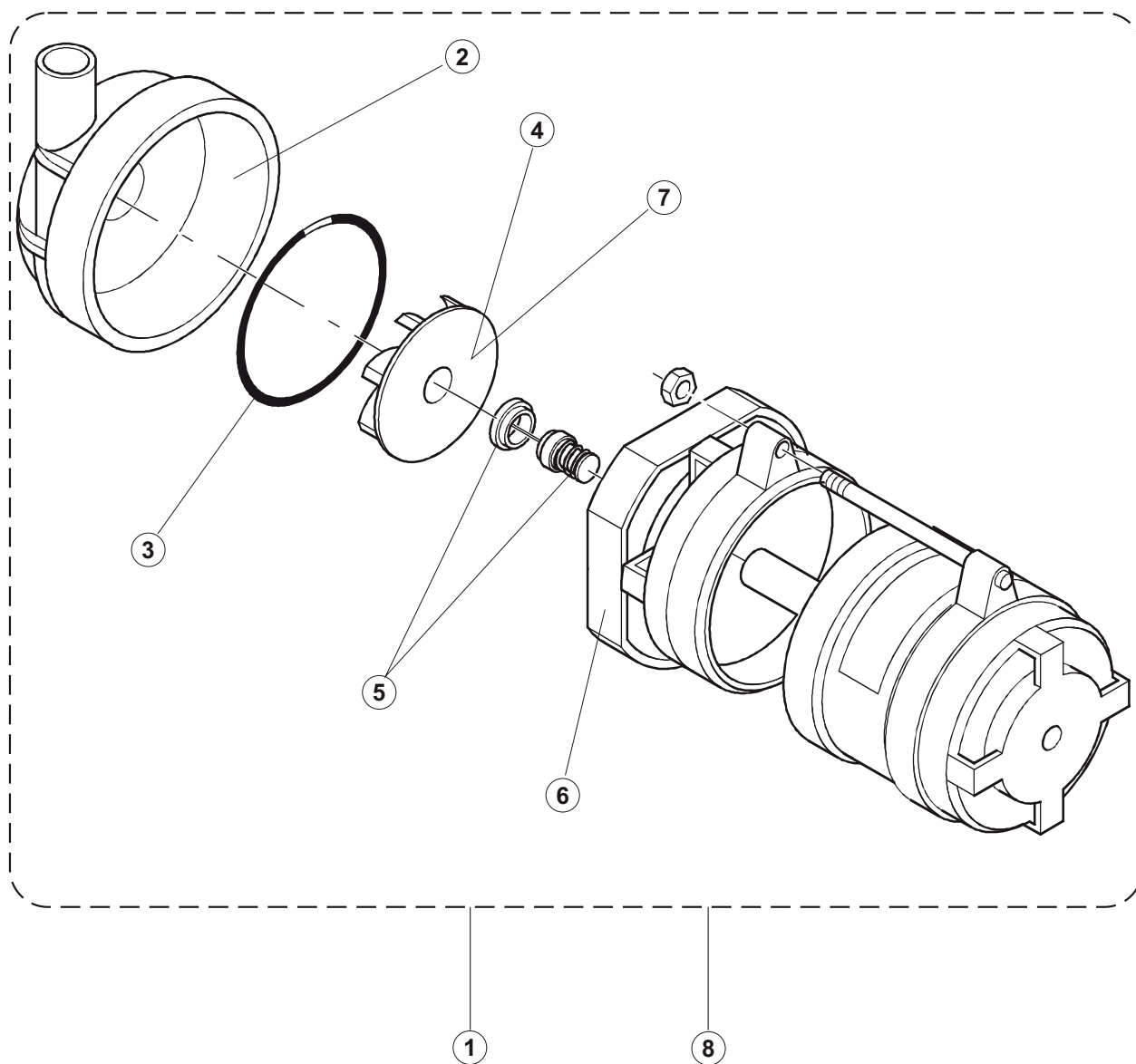
	<p>P PRELAVAGGIO-PRELAVAGE-WASCH -PRE-WASH-PRELAVADO</p> <p>L LAVAGGIO-LAVAGE-VORWASCHE -WASH-LAVADO</p>
---	--



XT 300
2022_01
16

Pozice	Název	Kód
1	HANDLE FOR FILTER	65501
2	MAGNET FOR HOOD MICROSWITCH	927088
3	STRAINER FRAME	65556
4	SIDE SLIDE FOR FILTER	65503
5	BUFFER FOR DRIVE STOP	75076
6	SCREW	75311
7	FRONT DRAWER STRAINER FOR PRE-WASH TANK	65477
8	FILTER DRAWER LEFT SLIDE	65871
9	SLIDING BLOCK	65508
10	SCREW	65999
12	FILTER DRAWER RIGHT SLIDE	65872
13	MAGNETIC DOOR SWITCH	80871
14	KIT STAINER FRAME	K65502
15	FRONT DRAWER STRAINER FOR PRE-WASH TANK	65478
20	BACK DRAWER STRAINER FOR WASH TANK	65468
21	FRONT DRAWER STRAINER FOR WASH TANK	65464
22	KIT SPLASHGUARD WASH DOOR	K65565

XT 300
2022_01
17





XT 300
2022_01
17

Pozice	Název	Kód
1	ELECTROPUMP	77047
2	ELECTROPUMP HOUSING	80812
3	GASKET RINSE PUMP	80816
4	ELECTROPUMP IMPELLER	80813
5	WASHPUMP SHAFT SEAL	80815
6	FLANGE	80814
7	IMPELLER 60 HZ	80813HZ
8	ELECTROPUMP	77047HZ