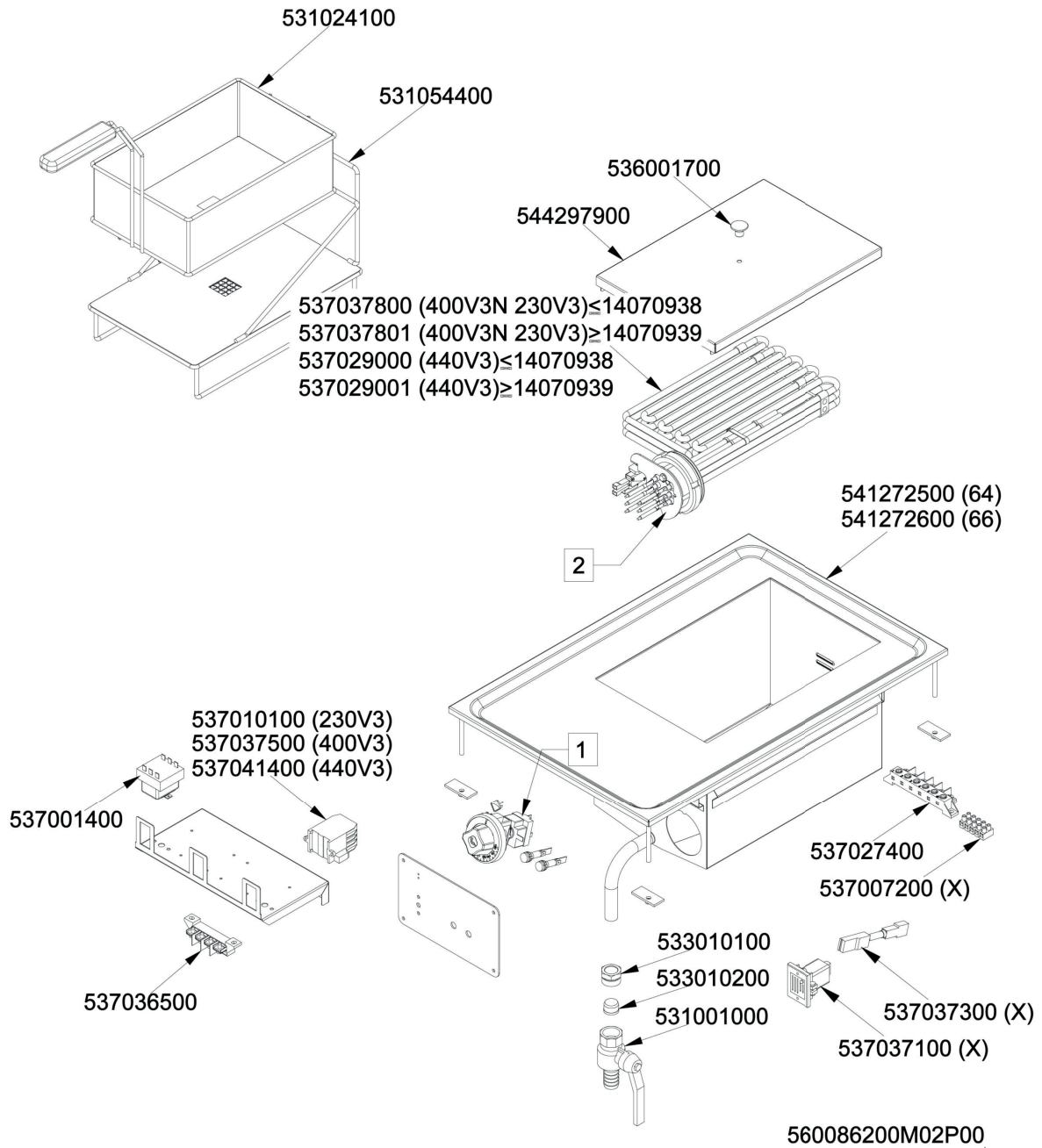
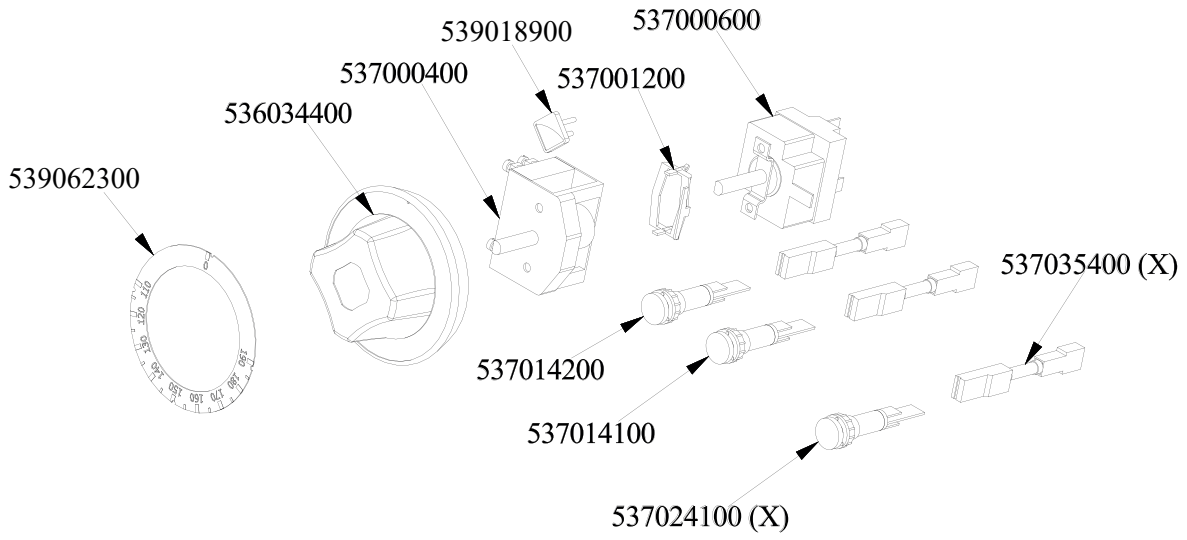


RM Drop In
 Platný od 1.5. 2019
 F10D-64ET, F2/10D-66ET





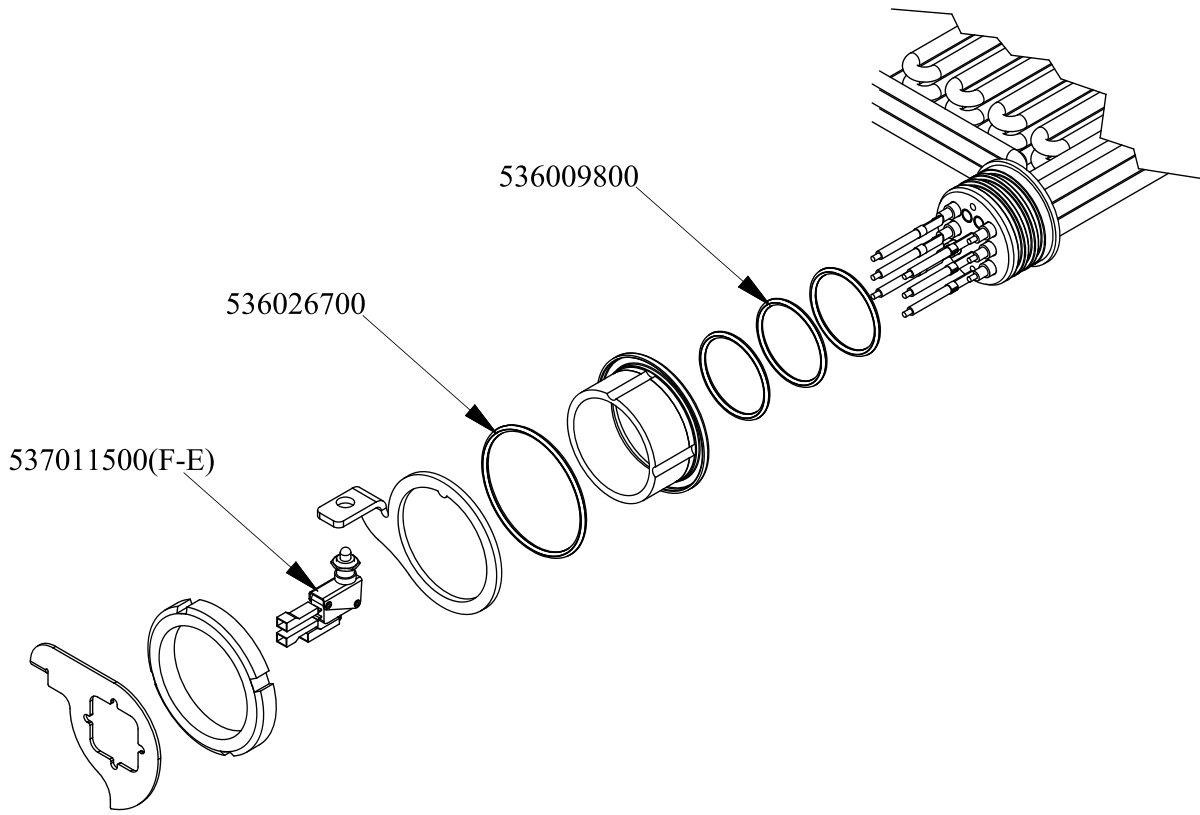
Objednací kód	Popis v ENG
531024100	FRYER BASKET 200X300X100
531054400	TANK COVER FOR F10T-E
536001700	GRIP D.25*19*M6
544297900	TANK LID FQ-4/6-E/GG
537037800	HEATING EL.FQ S60TROT.6600W 230V3
537037801	HEATING ELEMENT F 60T7150W 3-230V
537029000	HEATING EL. 6600W 440V 3 ROTAT.EL.
537029001	
541272500	UPPER PLATE DROP IN F10D-64ET
537010100	REMOTE CONTROL SWITCH 20A 230V
537037500	REMOTE CONTROL 20A 690V BOBINE 380V
537041400	REMOTE CONTROL 20A 690V BOBINE 460V
537001400	SAFETY THERMOSTAT 245°C THREEPHASE
537036500	TERMINAL BLOCK 4POLES 40A SCREW-SCR
533010100	3/4 D. 18 PIPE UNION
533012200	PROCESSING CODE
531001000	DRAIN COCK 3/4" + HANDLE
-	-
-	-



560100200M01P 00



Objednací kód	Popis v ENG
537000600	THERMOSTAT 90-180°C SINGLEPHASE
539018900	INDEX FOR KNOB RED SIGN
537000400	COMMUTATOR 1POS.SINGLEPHASE S49 16A
537001200	FIXING BRACKET FOR THERMOSTAT/COMM.
536034400	KNOB §77 4P. §06*4,6 C/M
539062300	RED STICKING DISK 72 (110,190°)
537035400	HEATING ELEMENT 00003W 330KOHM W/F
537014200	GREEN WARNING LIGHT 250V
537014100	WHITE WARNING LIGHT 250V
537024100	RED WARNING LIGHT LOW BUD 110V



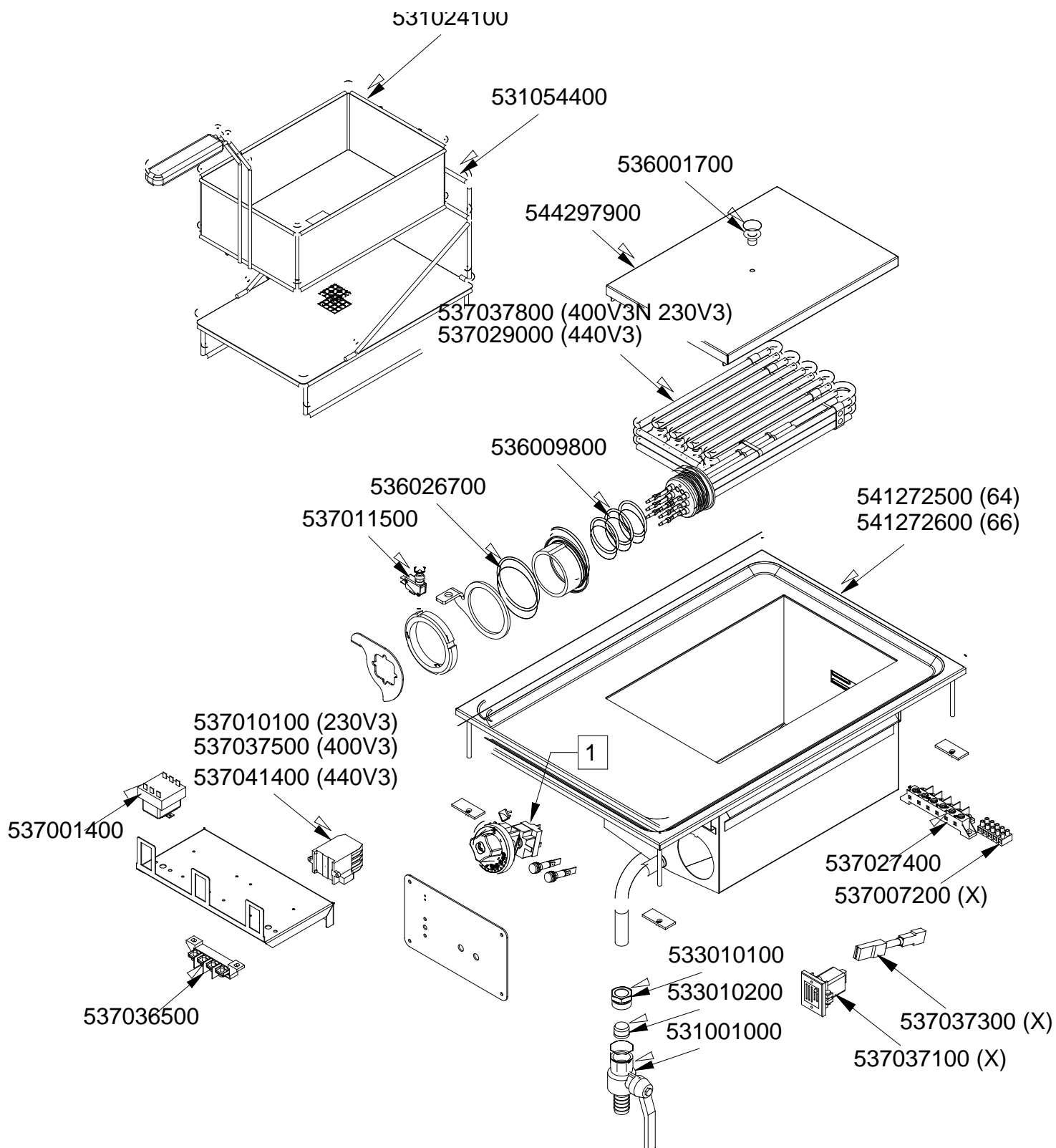
560111000M00P00



Objednací kód	Popis v ENG
536009800	GASKET O-RING 47,22X3,53 VITON
536026700	GASKET O-RING 74,61X3,53 VITON
537011500	MICRO-SWITCH 10A 400V



F10D-64ET, F10D-64ETX, F2/10D-66ET, F2/10D-66ETX
 Platný od 1.5.2016
 do 30.4.2019





F10D-64ET, F10D-64ETX, F2/10D-66ET, F2/10D-66ETX
Platný od 1.5.2016
do 30.4.2019

