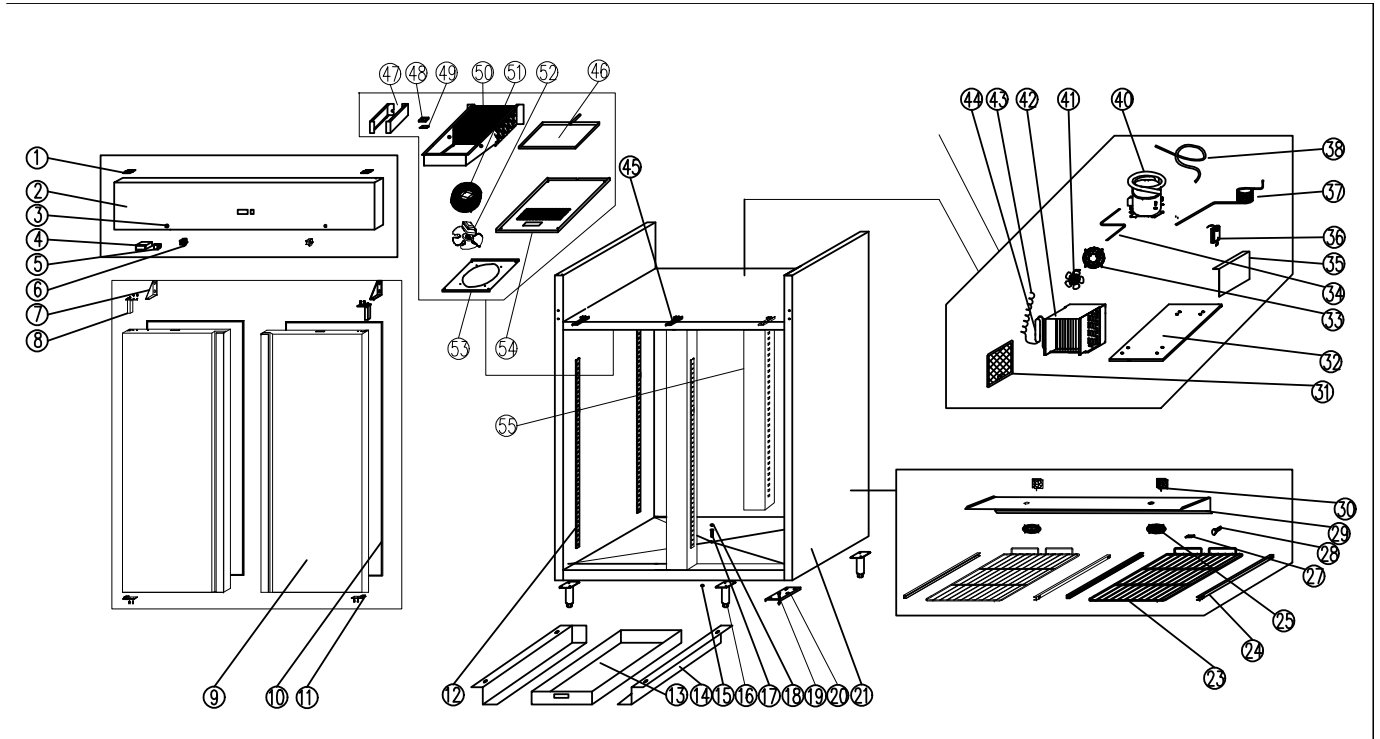


MF 900
2020_08



MF 900
2020_08

Pozice	Kód	Název
1	GN650TN.44	HINGE
2	SNACK400TN.01	FRONT PANEL
3	GN650TN.86	LOCK
4	S900.02	THERMOSTAT
5	S900.01	MAIN SWITCH
6	GN650TN.48	DOOR SWITCH
7	GN650TN.15	UP HINGE
8	GN650TN.14	DOOR SPRING
9	GN600TN.01	DOOR
10	SNACK400TN.06	GASKET
11	GN650TN.10	DOWN HINGE AXIS JACKET
12	SNACK400TN.07	SUPPORT
13	SNACK400TN.08	WATER BOX
14	SNACK400TN.09	WATER PAN GUIDE
15	GN650TN.07	FEET
16	S900.14	DRAIN PIPE NUT
17	S900.06	DOWN HINGE AXIS
18	GN650TN.05	DOWN HINGE
19	S900.15	DRAIN PIPE
20	S900.16	DRAIN PIPE COVER
21	SNACK800TN.01	BODY
22	GN650TN.09	GUIDE/LEFT/RIGHT
23	SNACK400TN.11	SHELF
25	G350.14	BASKET GUARD GRILLS
27	S900.31	SENSOR FIXED CLIP
28	GN650TN.01	SUPPORT LOCATED NUT
29	SNACK400TN.14	CIRCLE FAN COVER
30	S900.34	CIRCLE FAN
31	S903.08	FILTER
32	SNACK400TN.10	UNIT BOARD
33	GN650TN.46	BASKET GUARD GRILLES
34	S900.36	DISCHARGE TUBE
35	GN650.18	FIXING STRIP
36	GN650TN.16	JUNCTION BOX
37	S900.47	PLUG
38	GN1200TN.15	SUCTION PIPE
40	S900.41	COMPRESSOR
41	GN650TN.34	CODENSER FAN
42	GN650TN.38	CONDENSER
43	S900.43	CAPILLARY
44	GN1410TN.14	FILTER DRIER

