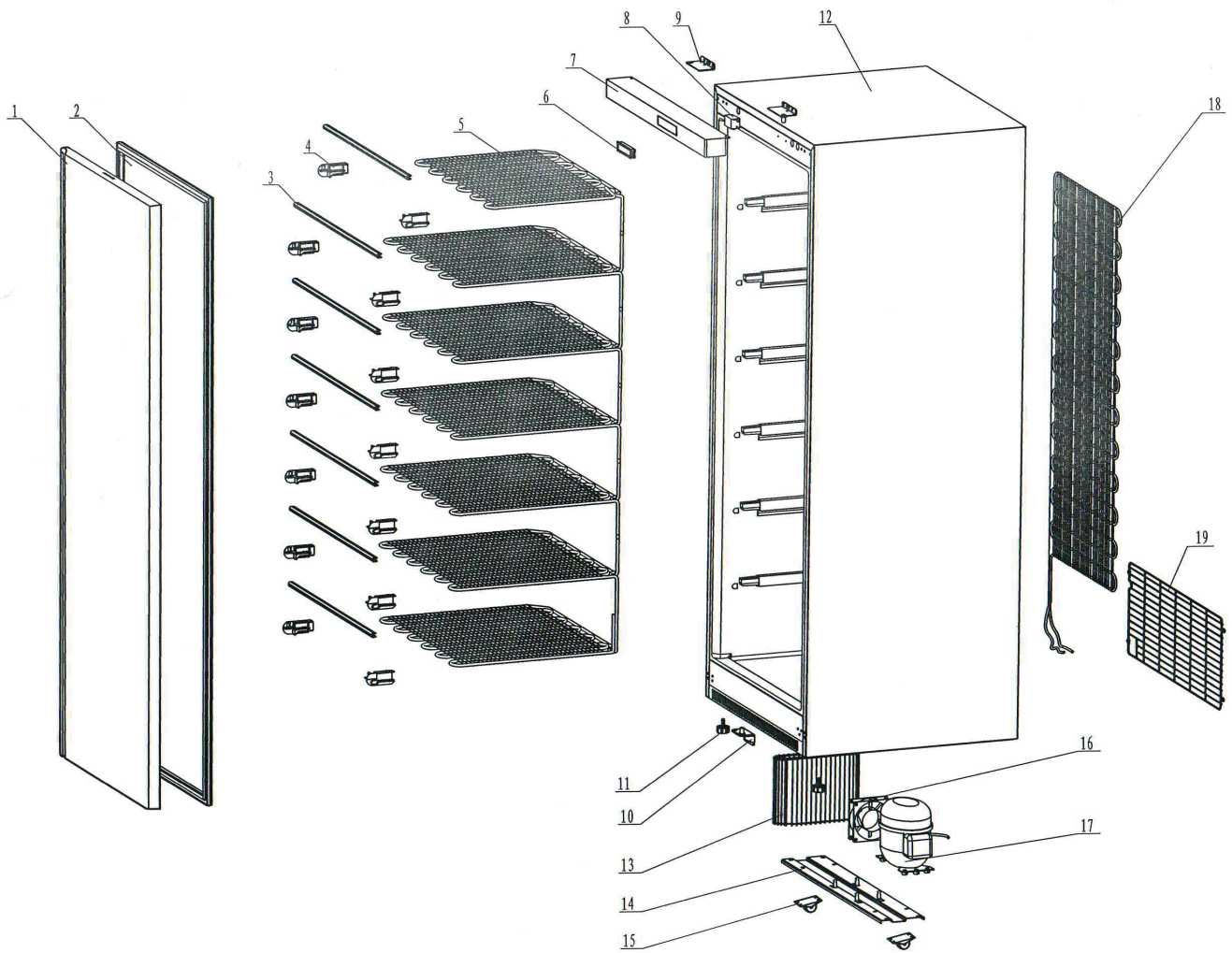


DF 600  
2020\_01



DF 600  
2020\_01

Pozice	Název	Kód
1	foaming door	
2	door gasket	
3	evaporator fixing trip	
4	evaporator fixing end	
5	evaporator	
6	controller	
7	front panel	
8	Drive voltage	
9	top hinge	
10	bottom hinge	
11	feet	
12	foaming body	
13	Coil type condenser	
14	BOARD OF CONDENSER UNIT	
15	small caster	
16	CONDENSER FAN	
17	COMPRESSOR EMT65HLR	
18	Wire tube condenser	
19	MOTER UNIT BACK NET	