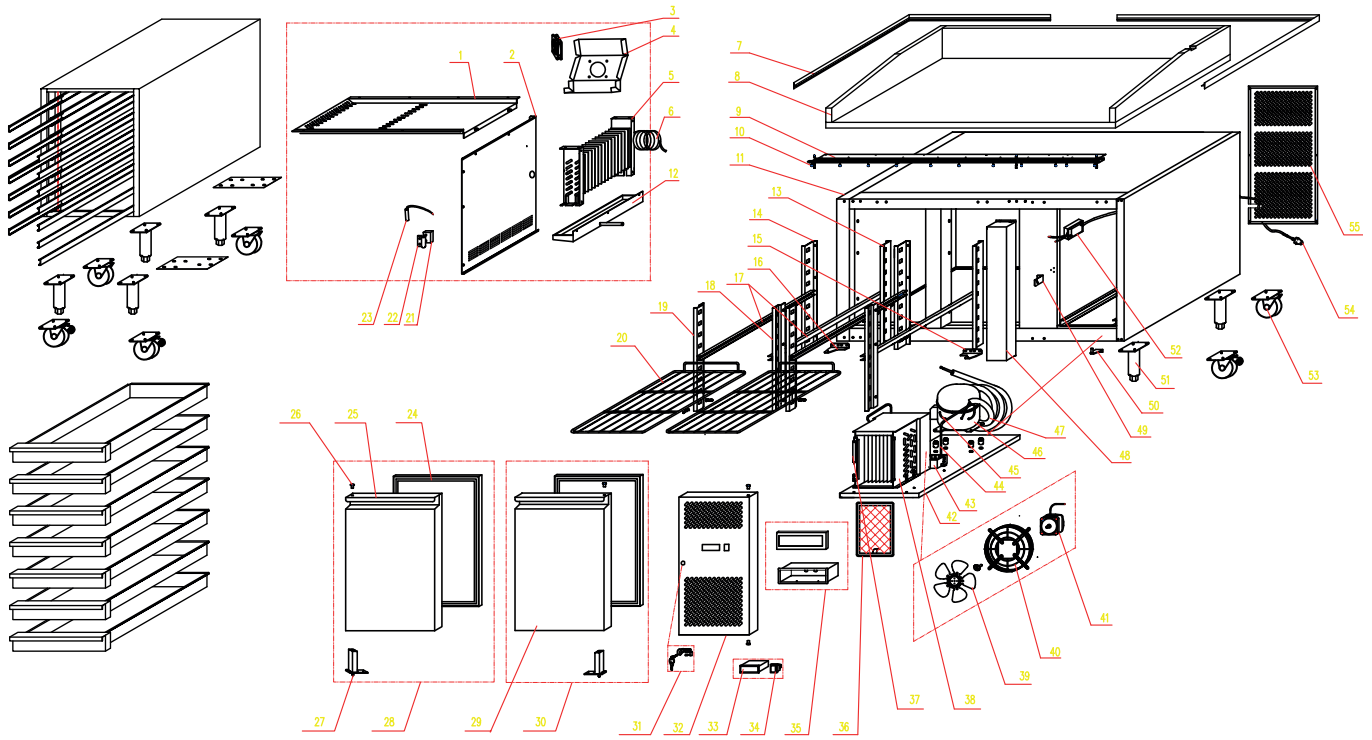


MTP 2D 7ZN
2020_08



MTP 2D 7ZN
2020_08

Pozice	Kód	Název
01	PA2100TN.01.201	AIR FLOW COUDUCT BOARD
	PA2100TN.01.304	
02	PA1100TN.02.201	EVAPORATOR COVER
	PA1100TN.02.304	
03	GN1100TN.03	EVAPORATOR FAN
04	GN1100TN.04	EVAPORATOR FAN SUPPORT
05	GN1100TN.05	EVAPORATOR
06	GN1100TN.06	CAPILLARY
07	PZ2610TN.07	
08	PZ2610TN.08	
09	PZ3600TN.09	
10	PZ1600TN.49	
11	PZ2600TN.11	BODY
12	GN1100TN.11	EVAPORATOR WATER TRAY
13	PA1100TN.12.201	BACK SUPPORT/RIGHT
	PA1100TN.12.304	
14	PA1100TN.13.201	BACK SUPPORT/LEFT
	PA1100TN.13.304	
15	GN2100TN.15	DOWN HINGE/RIGHT
16	GN1100TN.14	DOWN HINGE/LEFT
17	PA1100TN.15.201	GUIDE SET
	PA1100TN.15.304	
18	PA1100TN.16.201	FRONT SUPPORT/RIGHT
	PA1100TN.16.304	
19	PA1100TN.17.201	FRONT SUPPORT/LEFT
	PA1100TN.17.304	
20	PA1100TN.18	SHELF
21	GN1100TN.19.201	PROBE PADDING
	GN1100TN.19.304	
22	GN1100TN.20.201	PROBE FIXED CLIP
	GN1100TN.20.304	
23	GN1100TN.21	PROBE
24	PA1100TN.22	GASKET
25	PS1100TN.23.201	DOOR/LEFT
	PA1100TN.23.304	
26	GN1100TN.24	DOOR AXIS COVER
27	GN1100TN.25	DOOR SPRING

MTP 2D 7ZN

2020_08

Pozice	Kód	Název
28	PA1100TN.26	SET DOOR/LEFT
29	PA2100TN.29.201	DOOR/RIGHT
	PA2100TN.29.304	
30	PA2100TN.30	SET DOOR/RIGHT
31	GN1100TN.27	LOCK
32	GN1100TN.28.201	FRONT PANEL
	GN1100TN.28.304	
33	GN1100TN.29	THERMOSTAT
34	GN1100TN.30	MAIN SWICH
35	GN1100TN.31	WATERPROOF BOX OF THERMOSTAT
36	GN1100TN.32	FILTER
37	GN1100TN.33	FILTER DRIER
38	GN1100TN.34	CONDENSER
39	GN1100TN.35	LAMINA OF CONDENSER FAN
40	GN1100TN.36	COVER OF CONDENSER FAN
41	GN1100TN.37	CONDENSER FAN
42	GN1100TN.38	BOARD OF CONDENSER UNIT
43	GN1100TN.39	CONDENSER WATER TRAY
44	GN2100TN.44	EVAPORATE PIPE
45	GN1100TN.41	CHARGE PIPE
46	GN2100TN.46	COMPRESSOR
47	GN2100TN.47	SUCYION PIPE
48	GN1100TN.44.201	FIXED FRONT PANEL
	GN1100TN.44.304	
49	GN1100TN.45.201	LOOK HOOK
	GN1100TN.45.304	
50	GN1100TN.46	DOWN HINGE OF FRONT PANEL
51	GN1100TN.47	FEET
52	GN1100TN.48	JUNCTION BOX
53	GN1100TN.50	CASTER
54	GN1100TN.51a	PLUG/EU
	GN1100TN.51b	PLUG/UK
	GN1100TN.51c	PLUG/AU
	GN1100TN.51d	PLUG/IL
	GN1100TN.51e	PLUG/ZA
55	GN1100TN.52	UNIT ROOM COVER
56	PZ2610TN.56	
57	PZ2610TN.57	
58	PZ2610TN.58	
59	PZ2610TN.59	
60	PZ2610TN.60.201	
	PZ2610TN.60.304	