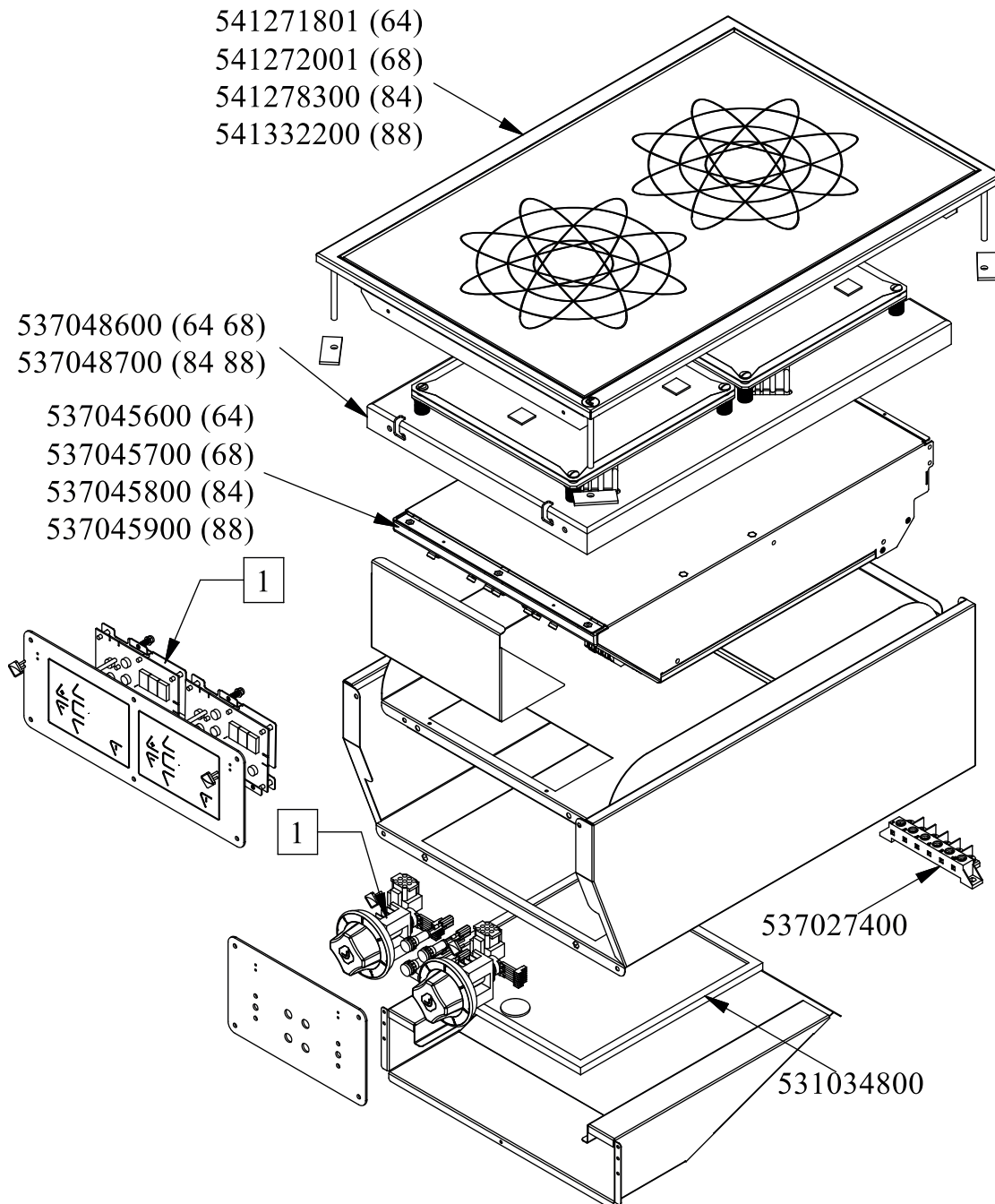


RM Drop In

Platný od 1.5. 2019

PCID-64ET, PCID-68ET, PCID-84ET, PCID-88ET, PCID-64ETD, PCID-68ETD, PCID-84ETD, PCID-88ETD

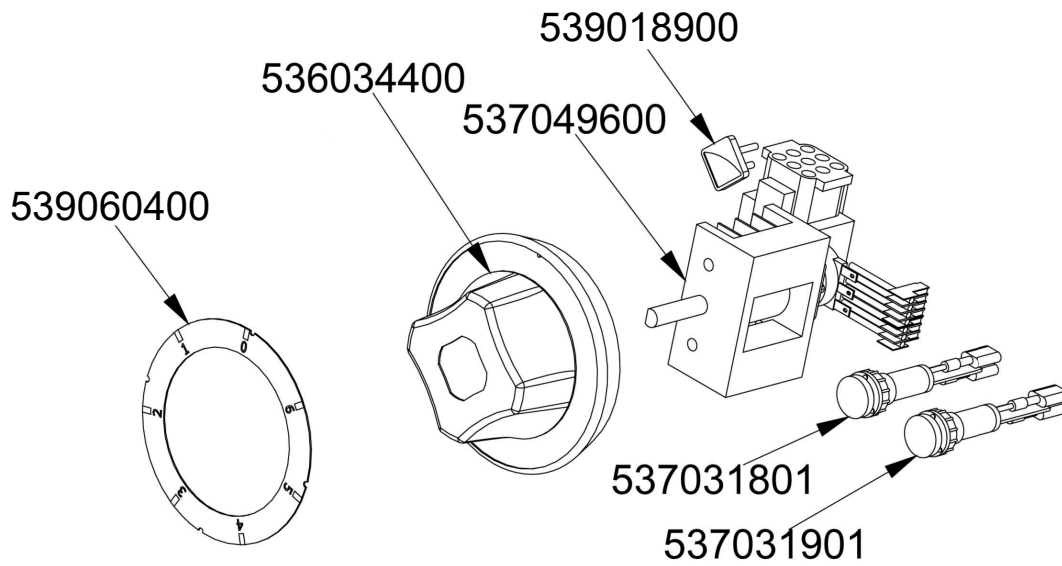


560086901M01P00

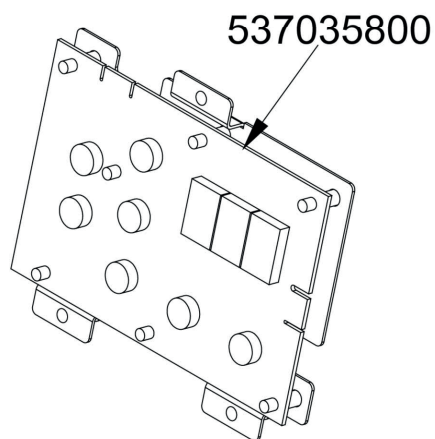


Objednačí kód	Popis v ENG
531034800	NET FILTER FOR KSK
537027400	TERMINAL BLOCK THREEPHASE 40A
541271801	UPPER PLATE DROP IN PCID-64ET V
537045600	GENERATOR PCI-74 5KW 400V3
537048600	PLATE WITH INDUCTORS S70
-	-

(ET)



(ETD)



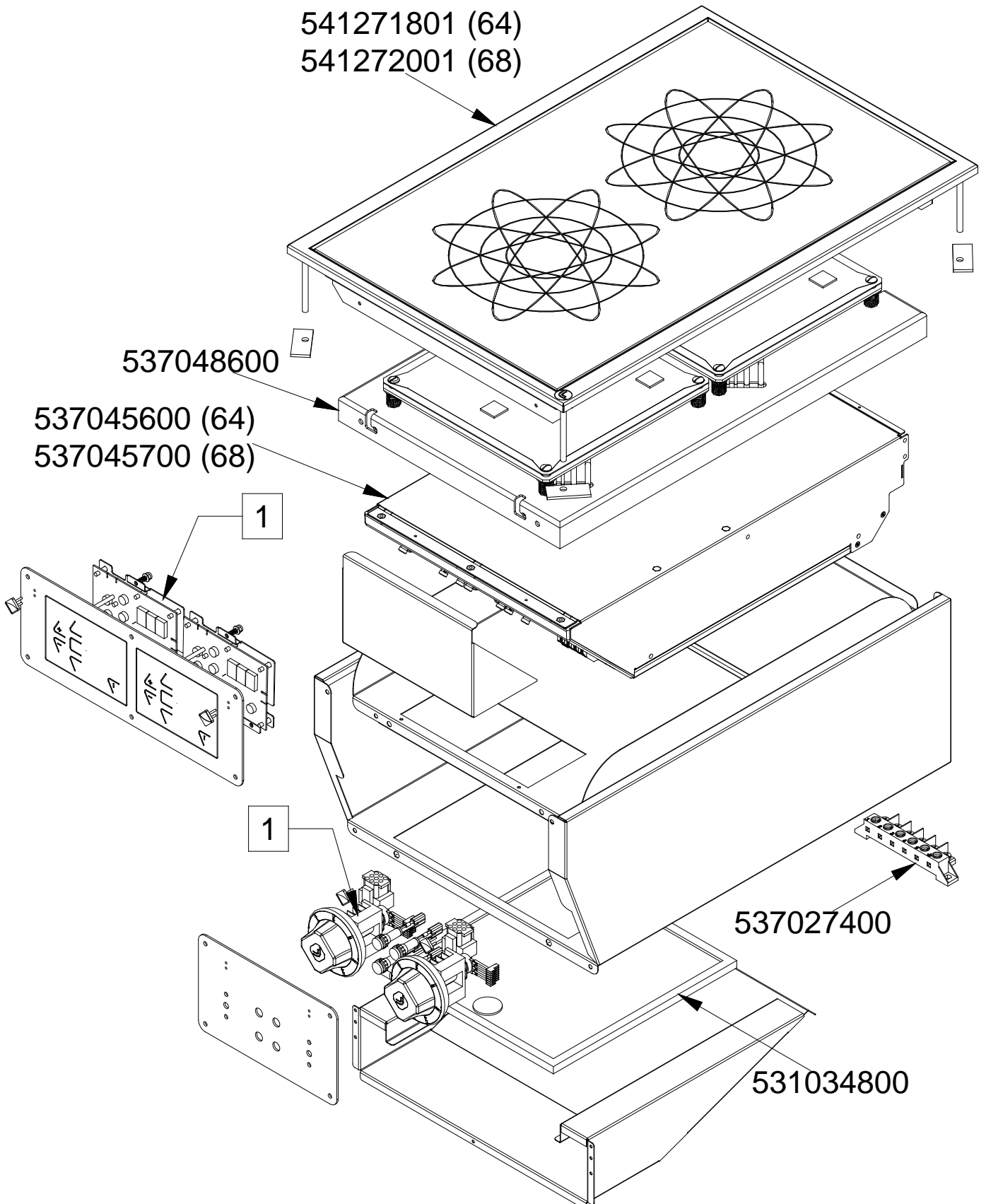
560099501M00P00



Objednací kód	Popis v ENG
539018900	INDEX FOR KNOB RED SIGN
537049600	COMPLETE CONTROL FOR INDUCTORS
536034400	KNOB §77 4P. §06*4,6 C/M
539060400	RED ADESIVE DISK FOR PCC/PCI-E
537031801	GREEN WARNING LIGHT 12V E FASTON
537031901	RED WARNING LIGHT PCI 12V E FASTON
537035800	TOUCH ELECTRONIC BOARD FOR PCI

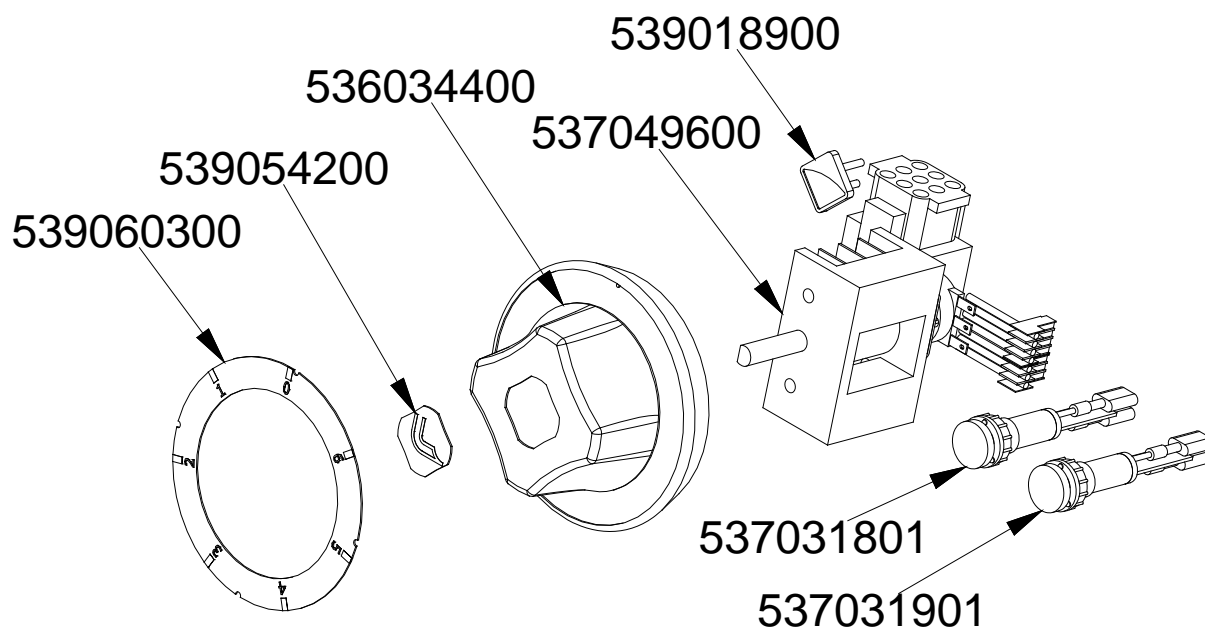


PCID-64ET, PCID-64ETD, PCID-68ET, PCID-68ETD
 Platný od 1.5.2016
 do 30.4.2019



PCID-E, PCID-ED, PCIWD-E, PCIWD-ED
Platný od 1.5.2016
do 30.4.2019

(ET)



(ETD)

