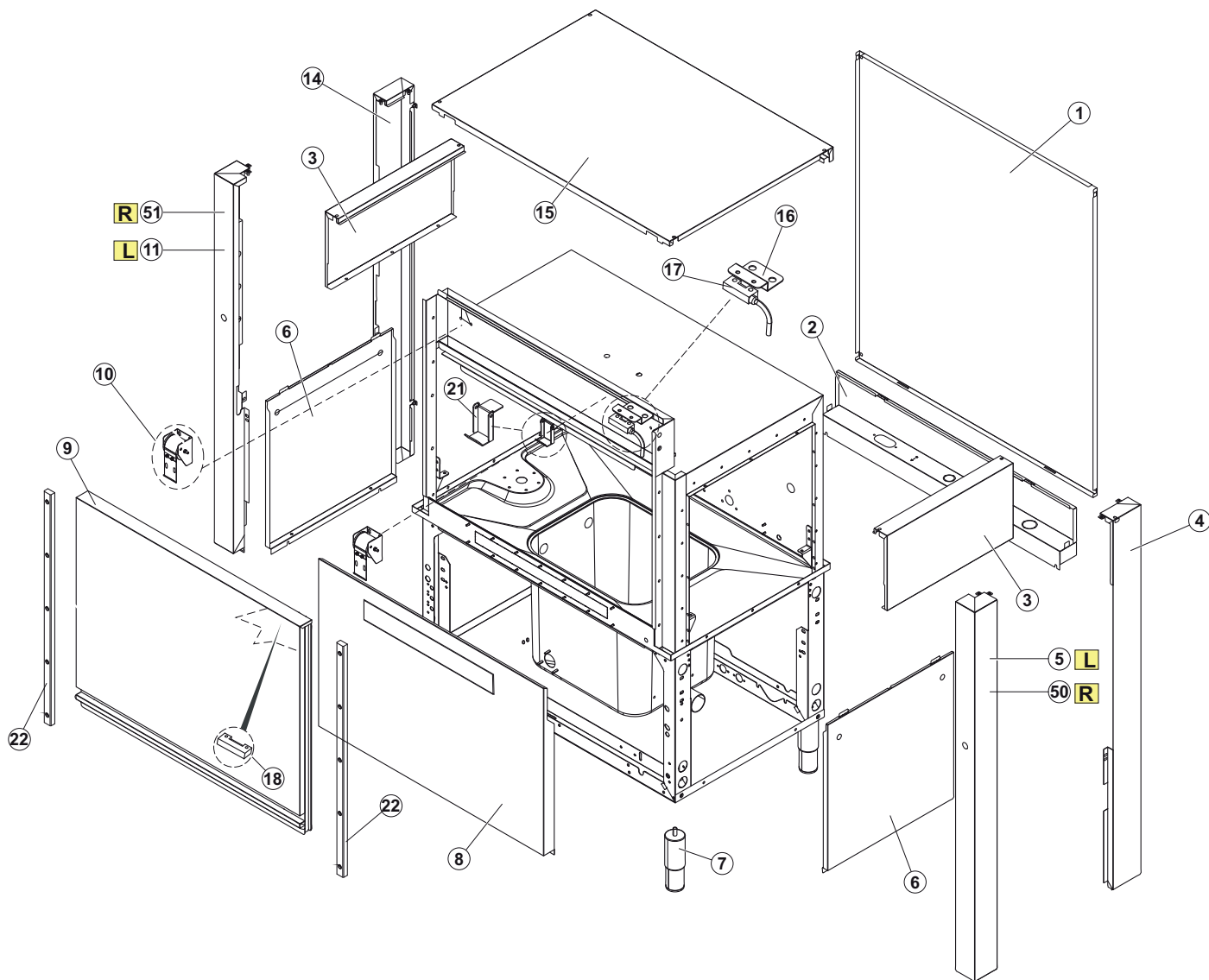


Rozkres



CT 160 W ABT RX, CT 160 ABT LX, CT 160 ABT RX, CT 160 W ABT LX

ROZKRES 1/7



| | | |
|----------|--|---------------|
| L | | Výstup vlevo |
| P | | Výstup vpravo |

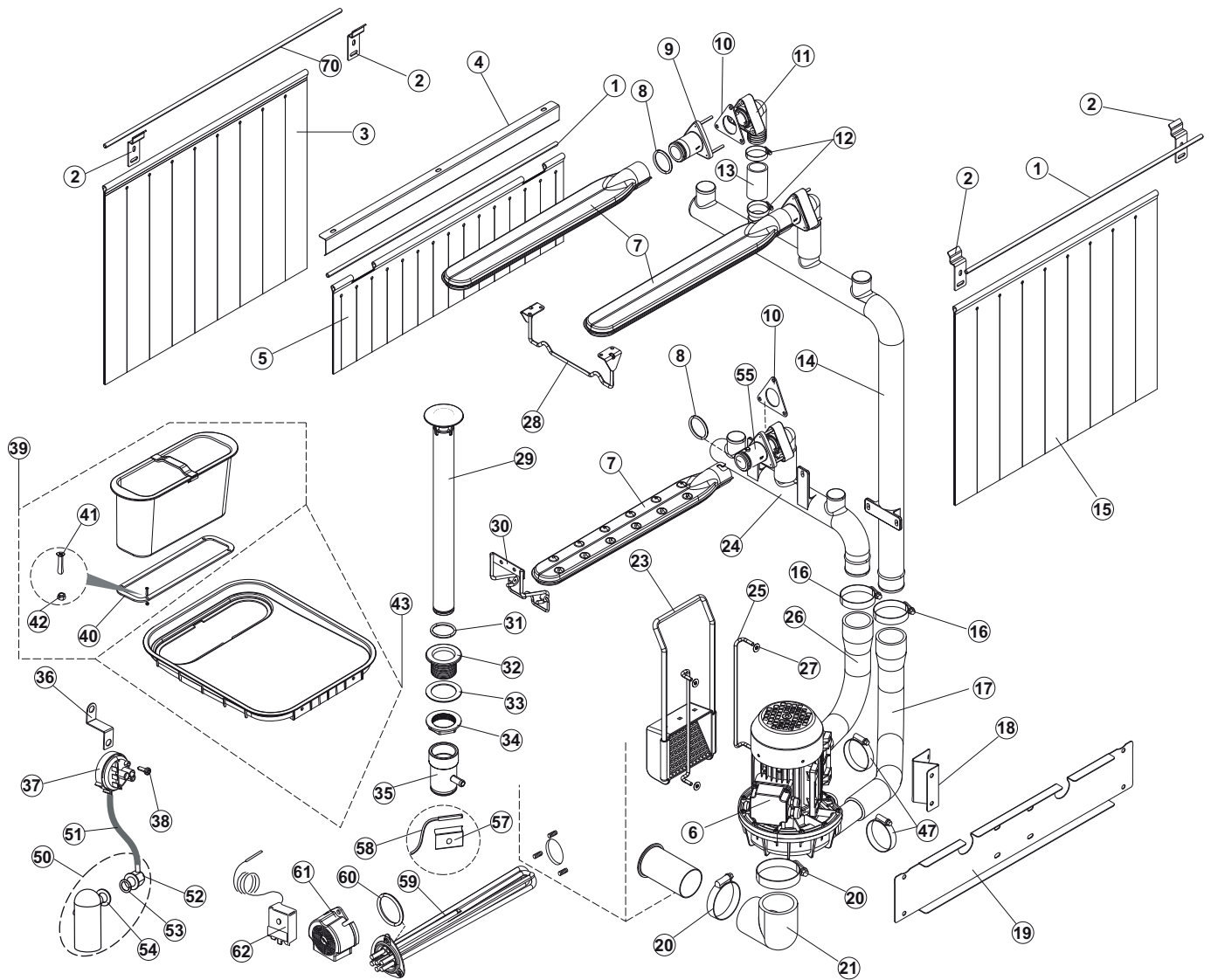
ROZKRES 1/7

Č. POLOŽKA

| | | |
|----|----------------------------|--------|
| 1 | Not in price-list | 65244 |
| 2 | Back panel | 65080 |
| 3 | Front panel | 65035 |
| 4 | Corner rear right panel | 65258 |
| 5 | Right corner control panel | 65331 |
| 6 | Side panel | 65054 |
| 7 | Foot | 73100 |
| 8 | Front panel | 65287 |
| 9 | Kit door wash unit | K65282 |
| 10 | Door spring kit | 65654 |
| 11 | Corner front right panel | 65338 |

| | | |
|----|--|--------|
| 14 | Corner rear left panel | 65259 |
| 15 | Top panel | 65050 |
| 16 | Bracket | 65256 |
| 17 | Magnetic door switch | 80871 |
| 18 | Magnet for hood microswitch | 927088 |
| | Magnet for hood microswitch (Old number) | CWM7 |
| 21 | Door safety hook for rack-conveyor | 75064 |
| 22 | Slides conveyor door | 75647 |
| 50 | Supporting upright | 65337 |
| 51 | Not in price-list | 65231 |

ROZKRES 2/7



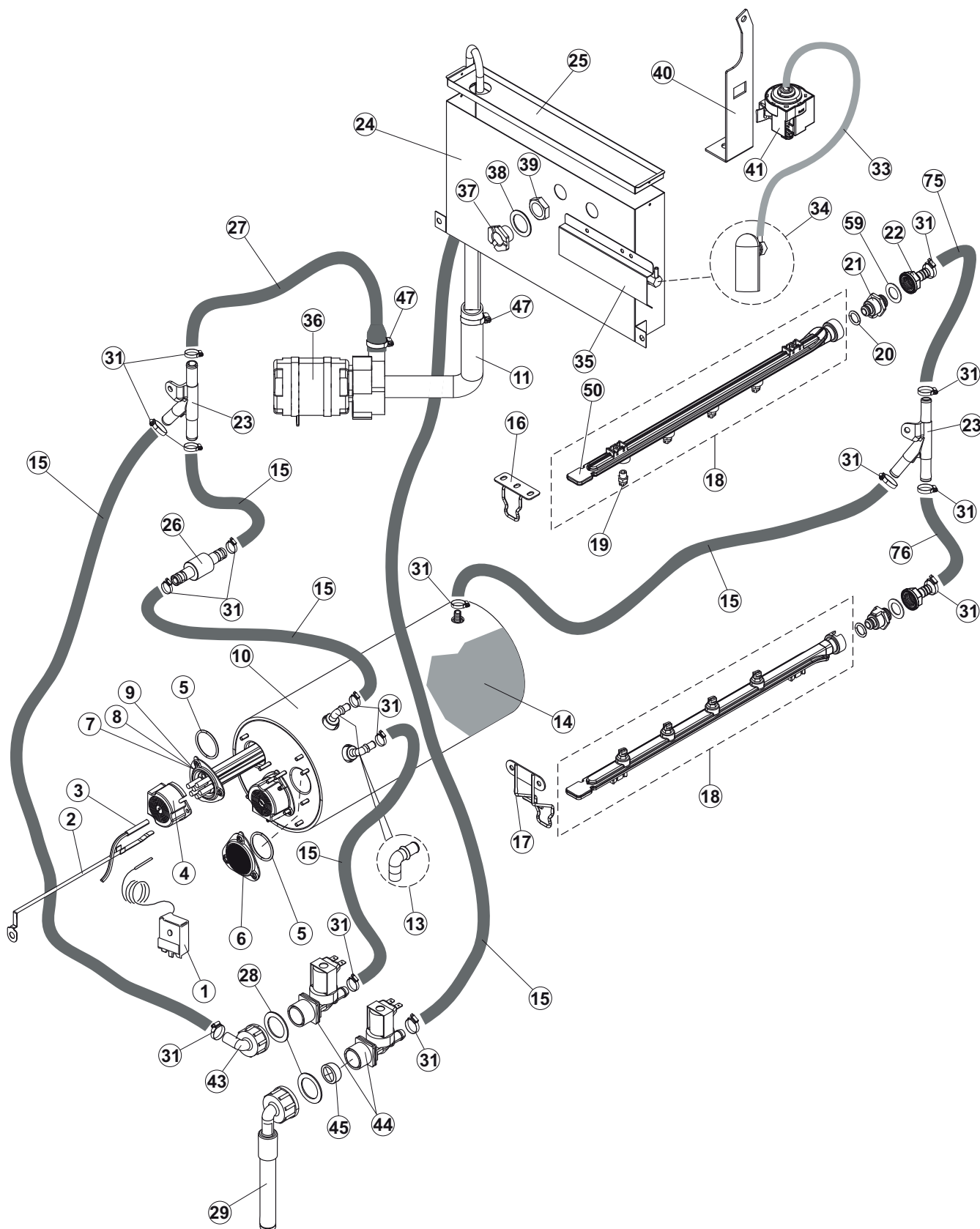
ROZKRES 2/7

Č. POLOŽKA

| | | |
|----|---|-----------|
| 1 | Curtain support for rack-conveyor dish- | 75124 |
| 2 | Support bracket | 65128 |
| 3 | Curtain | 65210 |
| 4 | Curtain supporting bracket | 65162 |
| 5 | Curtain | 65227 |
| 6 | Washpump | 70100 |
| 7 | Complete wash arm | 75616 |
| 8 | O-Ring | CGR4131NT |
| 9 | Connecting arm | 75645 |
| 10 | Gasket | 437050 |
| | Gasket (Old number) | REB437050 |
| 11 | Pipe fitting | 75155 |
| 12 | Not in price-list | CFS32 |
| 13 | Delivery wash hose | 75154 |
| 14 | Pipe | 65177 |
| 15 | Curtain | 65210 |
| 16 | Clamp, torro w1/w2b 50-70/12 | CFS2 |
| 17 | Pipe | 65624 |
| 18 | Support bracket | 65326 |
| 19 | Bracket | 65330 |
| 20 | Clamp, hose-type torro w2b 60-80/12 | CFS3 |
| 21 | Pipe elbow | 926056 |
| | Pipe elbow (Old number) | DZG461 |
| 23 | Pump aspiration filter | 75661 |
| 24 | Pipe + parz.77018 | K65176 |
| 25 | Aspiration filter slide | 42092 |
| | Aspiration filter slide (Old number) | C.42092 |
| 26 | Pipe | 65623 |
| 27 | Washer | 472061 |
| 28 | Bracket | 65293 |
| 29 | Overflow pipe | 75864 |
| 30 | Support bracket wash arm | 65212 |
| 31 | O-Ring | CGR4131NT |
| 32 | Drain connection | 75871 |

| | | |
|----|--|--------------|
| 33 | Gasket | 75873 |
| 34 | Nut waste drain | 75872 |
| 35 | Drain fitting (plastic) | 75639 |
| 36 | Not in price-list | DAS20206 |
| 37 | Pressure switch | 926049 |
| | Pressure switch (Old number) | DEP45 |
| 38 | Screw | CVZ4 |
| 39 | Collecting filter with weight | 75429 |
| 40 | Weight for basket stainer | 75428 |
| 41 | Screw, inox 4max10 tc/cross | CVI1101 |
| 42 | Nut - self-lock | 417091 |
| 43 | Tank flat stainless steel filter | 65200 |
| 47 | Hose clamp | CFS1A |
| 50 | Air trap, assy | 984005 |
| | Air trap, assy (Old number) | REB984005 |
| 51 | Linen rubber pipe 5x12 - black | 143005 |
| | Linen rubber pipe 5x12 - black (Old number) | SPG10 |
| 52 | Air trap connection of pressure switch | 468029 |
| | Air trap connection of pressure switch (Old number) | REB468029 |
| 53 | O-Ring | 456020 |
| | O-Ring (Old number) | REB456020 |
| 54 | Packing for air trap of pressure switch | 437019 |
| | Packing for air trap of pressure switch (Old number) | REB437019 |
| 55 | Connecting arm | 75648 |
| 57 | Support temperature probe | H.775489-001 |
| 58 | Temperature probe | 231016 |
| 59 | Heating element 10500w 230/400v | 80397C |
| 60 | O-Ring | 456002 |
| | O-Ring (Old number) | REB456002 |
| 61 | Boiler heating element protection | 69870 |
| 62 | Thermostat | 927057 |
| 70 | Curtain support for rack-conveyor dish- | 77121 |

ROZKRES 3/7



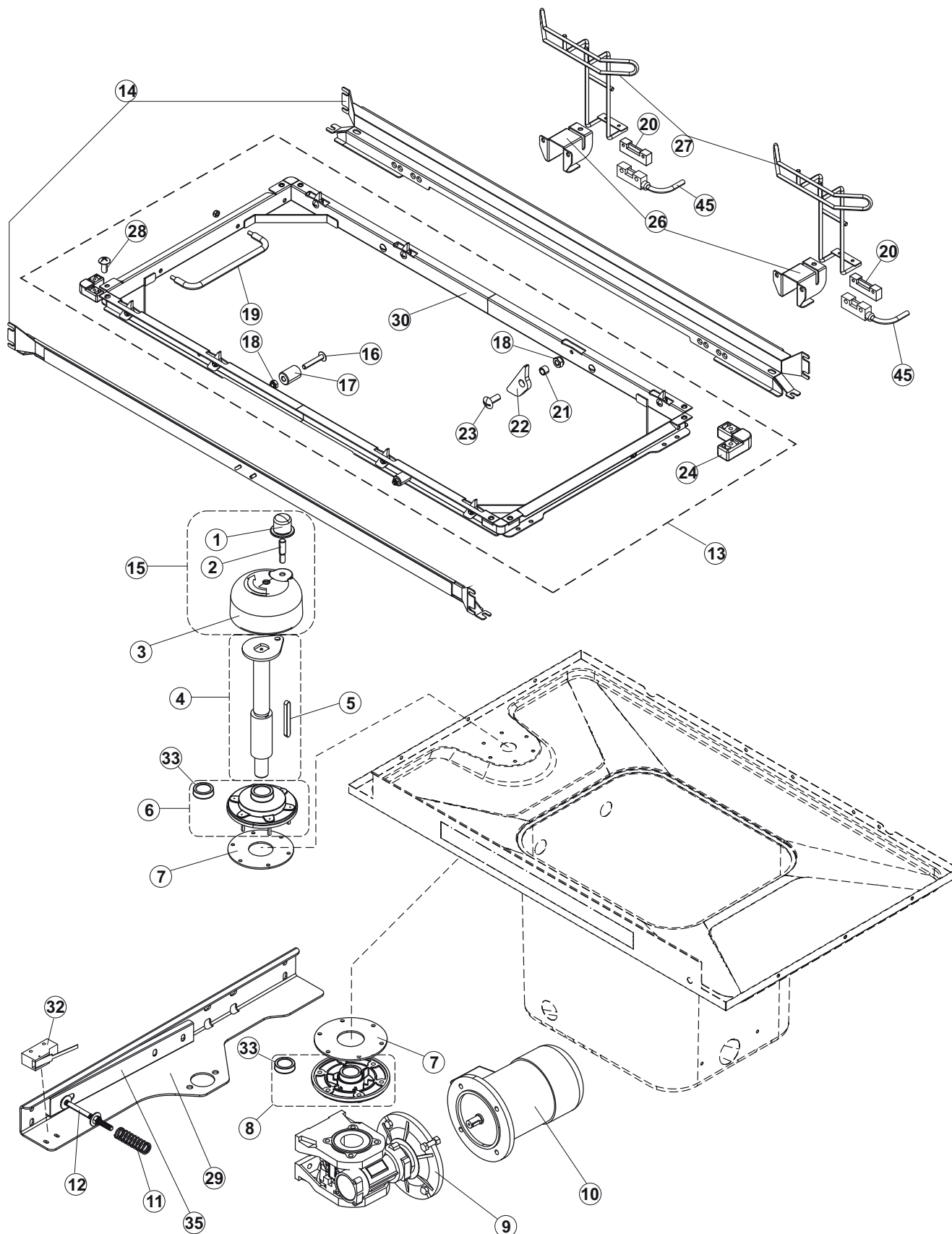
ROZKRES 3/7

Č. POLOŽKA

| | | |
|----|---|------------|
| 1 | Thermostat | 927057 |
| 2 | Probe holder | 69871 |
| 3 | Temperature probe | 231016 |
| 4 | Boiler heating element protection | 69870 |
| 5 | O-Ring | 456002 |
| | O-Ring (Old number) | REB456002 |
| 6 | Closed flange cap (170880543) | 926053 |
| | Closed flange cap (170880543) (Old number) | DWT100 |
| 7 | Heating element 6kw | 230083C |
| | Heating element 6kw (Old number) | REB230083C |
| 8 | Kit heating elements reb230020 (8kw) | 230020C |
| | Kit heating elements reb230020 (8kw) (Old number) | REB230020C |
| 9 | Ready-To-Assemble kit for heating | 80398C |
| | Ready-To-Assemble kit for heating (Old number) | C.80398C |
| 10 | Boiler | 65700 |
| 11 | Pipe | 65069 |
| 13 | Pipe fitting | 65018 |
| 14 | Cover insulation | 65245 |
| 15 | Rubber pipe 12x19,5 | 143010 |
| | Rubber pipe 12x19,5 (Old number) | SPG61 |
| 16 | Bracket | 65582 |
| 17 | Support bracket rinse arm | 65588 |
| 18 | Rinse arm | 65788 |
| 19 | Stainless steel rinse spray nozzle | 65951 |
| 20 | O-Ring 2050 12.42x1.78 epdm 70sh a | 65727 |
| 21 | Internal rinse pipe fitting aisi303 | 65883 |
| 22 | Pipe fitting | 66945 |
| 23 | Junction y | 143268 |
| 24 | Break tank | 65388 |
| 25 | Cover | 65390 |
| 26 | Flow reducer | 65607 |

| | | |
|----|---|-----------|
| 27 | Rinse delivery tube(crp) | 41525 |
| 28 | Gasket | 437041 |
| | Gasket (Old number) | REB437041 |
| 29 | Inlet hose | 143277 |
| 31 | Hose clamp | 927322 |
| | Hose clamp (Old number) | CFS14 |
| 33 | Pipe | 143131 |
| | Pipe (Old number) | SPG47 |
| 34 | Air trap, assy | 984005 |
| | Air trap, assy (Old number) | REB984005 |
| 35 | Splash protection | 41059 |
| | Splash protection (Old number) | C.41059 |
| 36 | Electropump | 929167 |
| | Electropump (Old number) | DPE112 |
| 37 | Ring nut | 429036 |
| | Ring nut | REB429036 |
| 38 | Packing for drain unit ring nut (s6666) | 437025 |
| | Packing for drain unit ring nut (s6666) | REB437025 |
| 39 | Nut - chromium plated | CDO134CR |
| 40 | Not in price-list | 75621 |
| 41 | Pressure switch | 224031 |
| 43 | Pipe connection | 927326 |
| | Pipe connection | DZR666 |
| 44 | Solenoid valve | 240016 |
| | Solenoid valve | DEV3S16 |
| 45 | Flow reducer | 75976 |
| 47 | Not in price-list | CFS32 |
| 50 | Rinse arm | 65545 |
| 59 | Gasket es/am verde 33x21x1,5 | 65749 |
| 75 | Rinse pipe l 200 racc 90 | 65747-A |
| 76 | Rinse pipe l 380 racc 90 | 65747-B |

ROZKRES 4/7



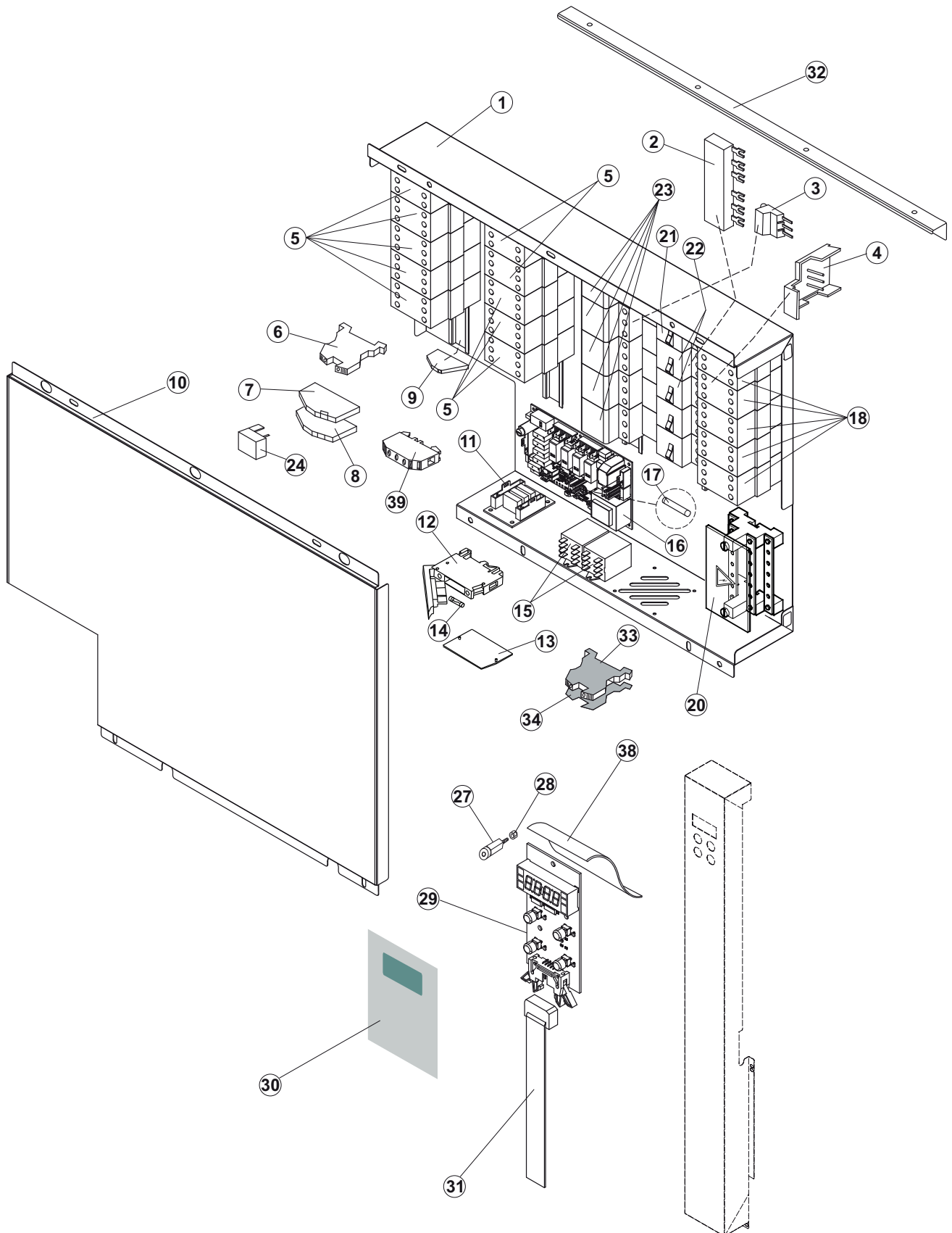
ROZKRES 4/7

Č. POLOŽKA

| | | |
|----|---|----------|
| 1 | Washer | 75058 |
| 2 | Pivot | 75234 |
| 3 | Splash protection | 75649 |
| 4 | Gear shaft conveyor | 65235 |
| 5 | Geared motor key | 65235C |
| 6 | Upper flange shaft conveyor | K75141 |
| 7 | Gasket | 75168 |
| 8 | Lower bush & seal | K75057 |
| 9 | Gearmotor sw050pa mec71b5 i=50 | 65923 |
| 10 | Motor 180w v 400 | 927105 |
| | Motor 180w v 400 (Old number) | DPM1205 |
| 11 | Spring | CMT13 |
| 12 | Screw | 60354 |
| 13 | Rack conveyor | 75869 |
| 14 | Rack slide rackconveyor only spare part | K65024 |
| 15 | Kit protective plate of splashing water | K75649 |
| 16 | Screw | 75310 |
| 17 | Buffer for drive stop | 75076 |
| 18 | Nut - self-lock | CDI206AU |
| 19 | Rack conveyor handle | 75073 |

| | | |
|----|--|-----------|
| 20 | Magnet for hood microswitch | 927088 |
| | Magnet for hood microswitch (Old number) | CWM7 |
| 21 | Bush | 75077 |
| 22 | Rack conveyor cog | 75071 |
| 23 | Screw, inox spec.6max16 t.1/2 t. poelier | CVI172 |
| 24 | Sled cart towing | 75075 |
| 25 | Not in price-list | 65022 |
| 26 | Bracket economizer | 75110 |
| 27 | Operated rinsing lever | 75095 |
| 28 | Stainless steel screw 4max10 tbc-r-sp | 486169 |
| | Stainless steel screw 4max10 tbc-r-sp (Old number) | REB486169 |
| 29 | Not in price-list | 65217 |
| 30 | Towing rack | 75868 |
| 32 | Microswitch | 927246 |
| | Microswitch (Old number) | DEM11NT |
| 33 | Seal ring mim 30x40x7 (mim 30407) | 927095 |
| | Seal ring mim 30x40x7 (mim 30407) (Old number) | DWA202 |
| 35 | Support bracket | 75218 |
| 45 | Magnetic door switch | 80871 |

ROZKRES 5/7



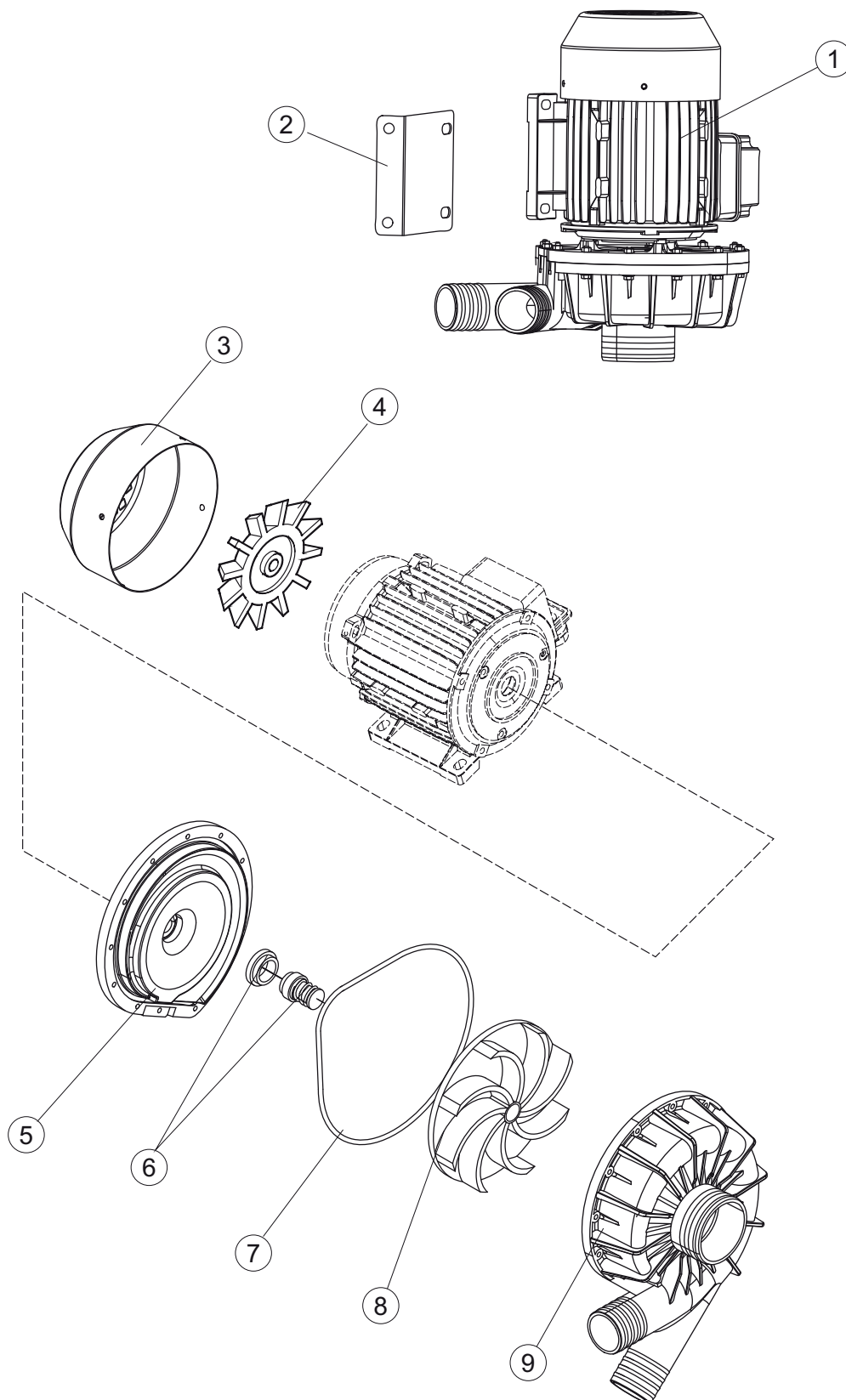
ROZKRES 5/7

Č. POLOŽKA

| | | |
|----|--|----------|
| 1 | Panel for electrical components | 65680 |
| 2 | Bar electrical connection | 80829 |
| 3 | Power connector | 80826 |
| 4 | Connector | 73830 |
| 5 | Contactor | 73351 |
| 6 | Terminal block | 927115 |
| | Terminal block | DEM4L |
| 7 | Not in price-list | 74938 |
| 8 | Not in price-list | 74939 |
| 9 | Electrical connector for u-shaped bar | 75817 |
| 10 | Cover | 65683 |
| 11 | Main board | 74903 |
| 12 | Fuse-Holder | 74935 |
| 13 | Plug | H.228048 |
| 14 | Fuse | 228014 |
| 15 | Relay 16a 230v | 929115 |
| | Relay 16a 230v (Old number) | DER1108 |
| 16 | Main board 215042+ firmware26(fw_0_xxa.q014) | 215042-2 |
| 17 | Fuse | 228010 |

| | | |
|----|--|--------|
| 18 | Contactor | 73350 |
| 20 | Terminal block | 75983 |
| 21 | Automatic switch | DEI40N |
| 22 | Automatic switch | DEI36N |
| 23 | Fuse-Holder - tripolar gk1-df | 927038 |
| | Fuse-Holder - tripolar gk1-df (Old number) | DEP2F |
| 24 | Not in price-list | 74940 |
| 27 | Interface board distance keepers | 419036 |
| 28 | Nut | 417119 |
| 29 | Control keyboard | 74901 |
| 30 | Control adhesive interface ct120 rm gastro | 66718 |
| 31 | Flat cable with protective sheath | 74933 |
| 32 | Bracket | 65491 |
| 33 | Not in price-list | 74936 |
| 34 | Plug | 65981 |
| 38 | Pvc curtain for electric protection | 214088 |
| 39 | Terminal block | 927114 |
| | Terminal block (Old number) | DEM27 |

ROZKRES 6/7



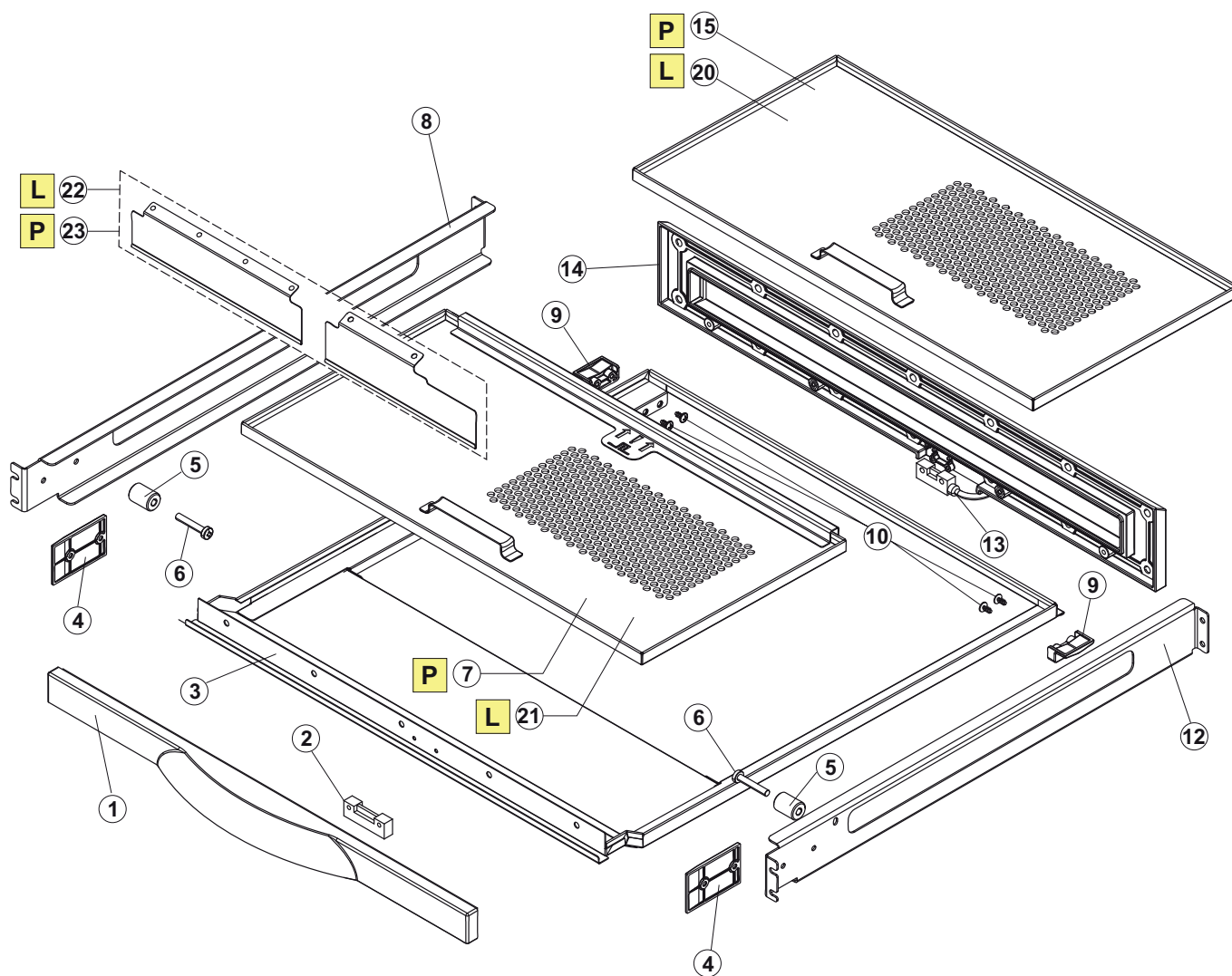
ROZKRES 6/7


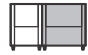
Č. POLOŽKA

| | | |
|---|-----------------------|-------|
| 1 | Washpump | 70100 |
| 2 | Bracket | 70105 |
| 3 | Electropump fan cover | 70940 |
| 4 | Washpump fun | 70939 |
| 5 | Flange | 70941 |

| | | |
|---|----------------------|-------|
| 6 | Washpump shaft seal | 70942 |
| 7 | O-Ring | 70943 |
| 8 | Electropump impeller | 70944 |
| 9 | Electropump housing | 70945 |

ROZKRES 7/7



| | | |
|----------|---|----------|
| P |  | Předmytí |
| M |  | Mytí |

ROZKRES 7/7

Č. POLOŽKA

| | | |
|---|---|-------------|
| 1 | Handle for the filter | 65501 |
| 2 | Magnet for hood microswitch | 927088/CWM7 |
| 3 | Strainer frame | 65556 |
| 4 | Side slide for filter | 65503 |
| 5 | Buffer for drive stop | 75076 |
| 6 | Screw | 75311 |
| 7 | Front drawer strainer for pre-wash tank | 65477 |
| 8 | Not in price-list | 65871 |
| 9 | Sliding block | 65508 |

| | | |
|----|---|--------|
| 10 | Screw | 65999 |
| 12 | Not in price-list | 65872 |
| 13 | Magnetic door switch | 80871 |
| 14 | Kit stainer frame | K65502 |
| 15 | Front drawer strainer for pre-wash tank | 65478 |
| 20 | Back drawer strainer for wash tank | 65468 |
| 21 | Front drawer strainer for wash tank | 65464 |
| 22 | Kit splashguard wash door | K65565 |
| 23 | Kit splashguard pre-wash door | K65479 |

| Číslo produktu | Model produktu | Název produktu |
|----------------|-----------------|--|
| 00014488 | CT 160 W ABT RX | Myčka tunelová 160 košů/hod., na studenou vodu, výstup vpravo |
| 00010031 | CT 160 ABT LX | Myčka tunelová 160 košů za hodinu na horkou vodu, výstup vlevo |
| 00014491 | CT 160 ABT RX | Myčka tunelová 160 košů za hodinu na horkou vodu, výstup vpravo |
| 00013728 | CT 160 W ABT LX | Myčka tunelová 160 košů za hodinu na studenou vodu, výstup vlevo |